

# SPARE PARTS LIST

**f o r**

*Infrared oil heater*

*Model*

**VAL6**

---

*Daystar*

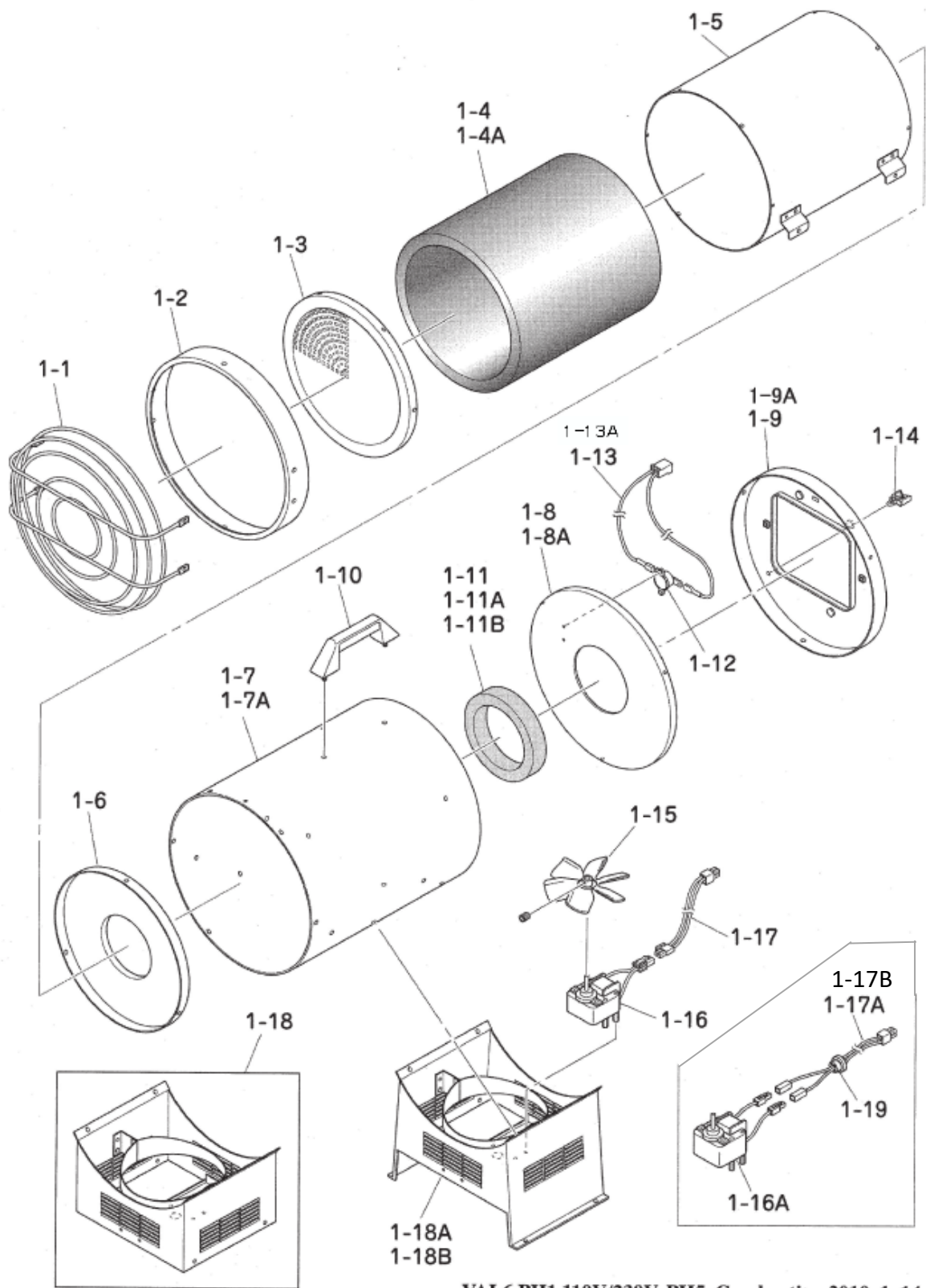
Type

◆ PH5 for 120V 60Hz

March 2023

***Shizuoka Seiki Co., Ltd.***

\* PRICES AND SPECIFICATIONS ARE SUBJECT TO CHANGE WITHOUT NOTICE.\*



VAL6 PH1 110V/230V, PH5 Combustion 2010. 1. 14

□-mark means that the parts supply period is over and there are limited numbers of stock.

PART NO.	PART NAME < COMBUSTION >	CODE NO.	Q'TY /SET	PH5	REMARKS
1-1	Protector Assembly	50317101004	1	●	
1-2	Drum Front Ring	50319201002	1	●	
1-3	Radiation Disk	50317201002	1	●	
1-4	Insulator	50317201004	1	□	till 2009
1-4A		50317201012	1	●	from 2010, F-01
1-5	Outer Cylinder	50317101003	1	●	
1-6	Cylinder End	50310201012	1	●	discontinued from 2010
1-7	Drum	50317201001	1	N/A	till 2005
1-7A		50317201008	1	N/A	from 2006, replacement to 50317180003
1-7B		Drum with sticker	50317180003	1	●
1-8	Heat Shield Plate	50310201008	1	□	till 2009
1-8A		50317201011	1	●	from 2010, F-01
1-9	Drum End	50310201003	1	N/A	till 2009(G-01), glossy black
1-9A		50317201014	1	●	from 2010(F-01)
1-10	Grip	50310201022	1	●	
1-11	Burner Cone Packing	50310201021	1	□	till 2005
1-11A	Burner Draft Packing	50317201009	1	□	used for burner from 2006, J-01 till 2009
1-11B	Combustion Chamber Packing	50317201013	1	●	from 2010, F-01
1-12	Overheat Sensor	50229202061	1	●	A80
1-13	Overheat Sensor Cable	50310201024	1	□	till 2012
1-13A	Tip-Over & Overheat Sensor Cable	50317201015	1	●	from 2013(C-01)
1-14	Cable Clip	50310201025	1	●	
1-15	Blower Fan	50310201020	1	●	
1-16	Blower Motor	50310201019	1	□	till 2009, G-01
1-16A		50317201010	1	●	from 2009, G-02
1-17	Relay Cable	50310202018	1	□	till 2009, G-01
1-17A		50317203019	1	●	from 2009 G-02 till 2012
1-17B		50317203020	1	●	from 2013(C-01)
1-18	Drum Base	50319101003	1	N/A	till 2004
1-18A		50317103009	1	□	from 2005 N-01, till 2009 G-01
1-18B		50317103012	1	●	from 2009, G-02
1-19	Motor Cord Bushing	50320202018	1	●	from 2009, G-02



□-mark means that the parts supply period is over and there are limited numbers of stock.

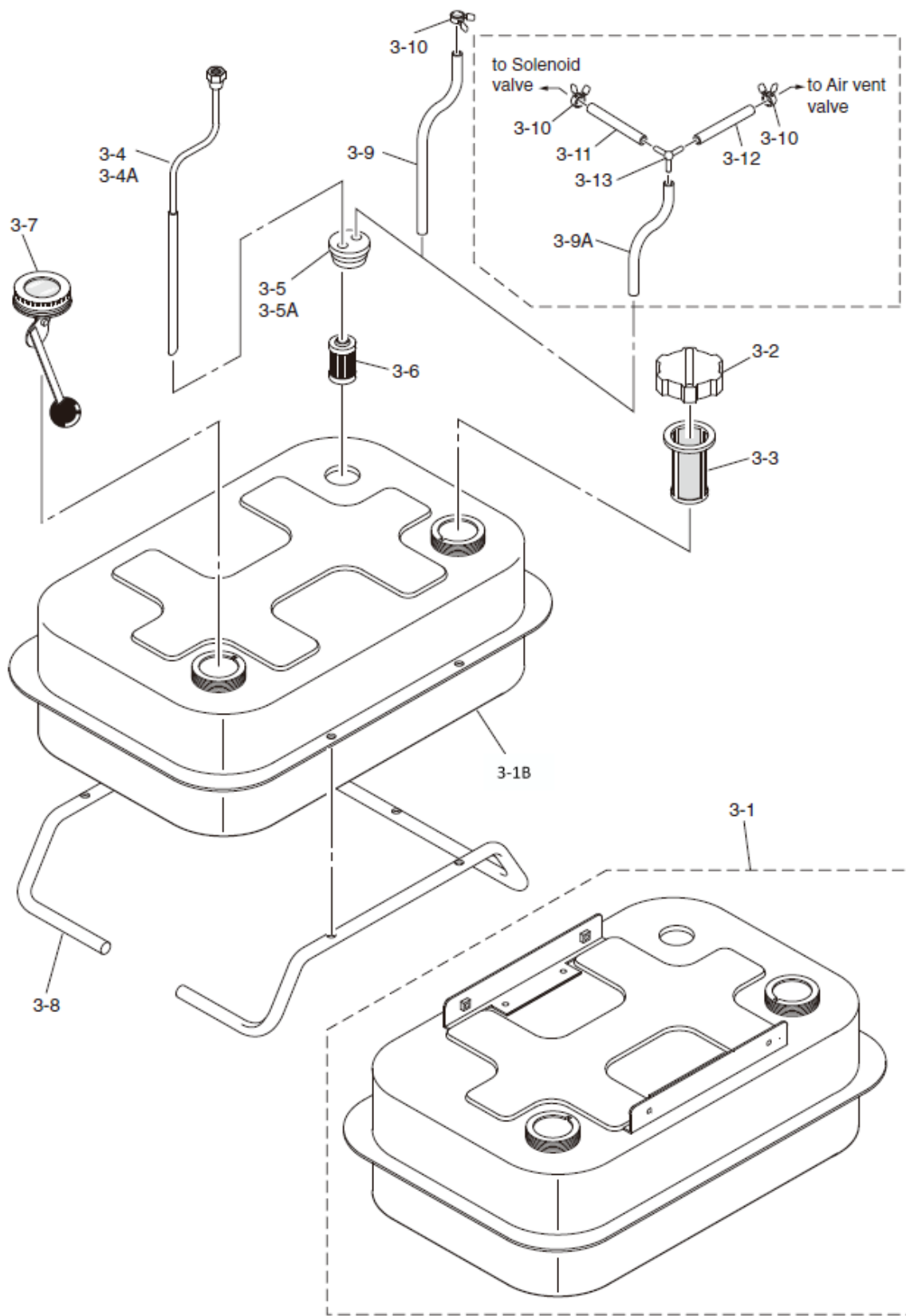
PART NO.	PART NAME < COMBUSTION >	CODE NO.	Q'TY /SET	PH5	REMARKS
2-1	Burner Base	50310102003	1	□	till 2005
2-1A		50317102007	1	●	for 2006 Jlot
2-1B		50319102007	1	N/A	from 2007 I-01, till 2009,G-03
2-1C		50319102011	1	●	from 2010 F-01, till 2012
2-1D		50317102014	1	●	from 2013, C-01
2-2	Free Grommet	50263202010	1	●	
2-3	Diffuser	50262202001	1	●	
2-4	Pump Nipple	50204201025	2	□	1 pc from 2006 N-02, till 2012
2-5	Nozzle (0.3G)	50317202010	1	□	till 2005
2-5A	Nozzle (0.4G)	50319202013	1	●	from 2006
2-6	Whirl Vane	50300201007	1	N/A	discontinued from 2008
		50319202024	1	□	from 2008 (H-01) , till 2009
2-6A		50319202027	1	●	from 2010, F-01
2-7*	Electrode	50262202010	1	□	till 2004 discontinued
2-7A		50303201010	1	●	for 2005, N-01
2-7B		50319202017	1	●	from 2006
2-8	Burner Cone Bracket	50310202004	1	□	discontinued from 2010
2-9	Burner Cone	50317102005	1	□	till 2005
2-9A		50319102006	1	□	from 2006, J-01, till 2009
2-9B		50319202026	1	●	from 2010, F-01
2-10*	Burner Packing	50310202014	1	□	till 2005 (N-lot)
2-10A	Burner Draft Packing	50317201009	2	N/A	same as 1-11A, from 2006 (J-lot) till 2007, from 2008 used for 1-11A only Please see 1-11A.
2-10B	Burner Packing	50319202025	2	N/A	from 2008(H-01), till 2009
2-10C		50319202028	1	●	from 2010, F-01
2-11	Face Plate	50317102009	1	N/A	till 2006/07 50317202006
2-11A	with sticker	50317102010	1	●	from 2007 I-01, 50317202006
2-12	Switch Assembly	50310102005	1	□	till 2006
2-12A		50317102006	1	●	from 2006,J-01 with terminals for thermostat till 2012
2-12B		50317102011	1	●	from 2013,C-01
2-13	Tip-Over Switch	50298202015	1	●	
2-14	Tip-Over Switch Cable	50310202017	1	●	till 2012
2-15	Transformer	50300201005	1	□	till 2012
2-15A		50346202008	1	●	from 2013,C-01
2-16	Flame Monitor	50262102008	1	●	with 2-33 flame holder till 2015 A-02
2-16A		50306101003	1	●	w/o flame holder from 2016 Z-01 (This flame monitor is available for PH5 produced from 2013 C-01.)

□-mark means that the parts supply period is over and there are limited numbers of stock.

PART NO.	PART NAME < COMBUSTION >	CODE NO.	Q'TY /SET	PH5	REMARKS
2-17	Burner Control	50317202002	1	N/A	till 2004/05, PH5:changed to 50310202012 and 3A midget fuse(50310202023)
2-17A		50310202012	1	N/A	from 2005,N-01 till 2012, by being discontinued, changed to 50310202025
		50310202025	1	●	
2-17C		50317202024	1	●	from 2013,C-01
2-18	Fuse(3A)	50204201061	1	□	till 2004/05
2-18A	Midget Fuse (3A)	50310202023	1	●	from 2005,N-01
2-19	Control Support	50229201037	4	●	
2-20	Fan Motor	50317202011	1	●	till 2017/2018
		50317202030	1	●	from 2018 V-01
2-21	Ignition Device	50310202011	1	N/A	till 2005/06
2-21A		50317202016	1	●	from 2006,J-01 till2017/2018
		50346202023	1	●	from 2019
2-22	Power Cable	50317202005	1	●	mold plug + 2-23A till 2012
2-22A		50317202023	1	●	from 2013, C-01
2-23A	Cable Stopper	50205201017	1	●	from 2006 J-01
2-24	Fuel Pump	50317202001	1	N/A	till 2004
2-24A		50317202012	1	N/A	for 2005, N-01
2-24B		50317202015	1	□	from 2006, J-01 with 2-31 till 2012
2-24C		50317202027	1	●	from 2013, C-01
2-25	Fuel Outlet Line	50310202010	1	□	till 2004
2-25A		50317202013	1	□	for 2005, N-01
2-25B		50319202014	1	●	from 2006 J-01 to 2012
2-25C	Fuel Outlet Line	50317202028	1	●	from 2013 C-01
2-26	Housing with caution and danger stickers	50317102004	1	N/A	till 2012
2-26A		50317102012	1	●	from 2013, C-01
2-29	Return Line	50319202015	1	●	from 2006, J-01 to 2012
2-30	Pump Elbow	21300503-55	1	●	from 2006, N-02
2-31	Air Vent Valve	21062003-67	(1)	N/A	from 2006, N-02, changed to 210620A3-67
		210620A3-67	(1)	●	
		50335201041	(1)	●	from 2013, C-01
2-33	Flame Monitor Holder	50262202029	1	●	from 2006, J-01
2-34	Street Elbow	50317202029	1	●	from 2013, C-01
2-35	Solenoid Valve	50346202020	1	●	from 2013, C-01
2-36	Three-Way Joint	50347202018	1	●	from 2013, C-01
*	Repair Set (Nozzle Wrench, Fuse, Element, Nozzle)	50317180001		●	

※not shown in drawing

2303



□-mark means that the parts supply period is over and there are limited numbers of stock.

PART NO.	PART NAME < COMBUSTION >	CODE NO.	Q'TY /SET	PH5	REMARKS
3-1	Fuel Tank	50319103002	1	□	10L including 3-2,3-3,3-7 till 2004
3-1A		50317103007	1	N/A	Replace to 50319180002 10L including 3-2,3-3,3-7 from 2005, N-01. 50319180002 mounts Tank inlet filter for Europe market with old fuel gauge. This can be replaced by 50317180A02
3-1B		50317103006	1	N/A	Replace to 50317180002 w/o 3-3 tank filter. Replaced by 50317180A02 eventually. from 2015 till 2016, including 3-2, 3-7 to
		50317180002	1	□	50317180A02. With old fuel gauge, replaced by 50317180A02
		50317180A02	1	●	from 2017 including 3-2,3-7. For current model with new fuel gauge.
3-2	Filler Cap	50317103003	1	●	
3-3	Tank Inlet Filter	50263203028	1	□	till 2008
3-4	Suction Pipe Assembly	50310103004	1	□	till 2005
3-4A		50317103011	1	□	from 2006 till 2012
3-4B		50317103014	1	●	from 2013, C-01
3-5	Float Switch Seal	50238203003	1	□	till 2005
3-5A	Suction Return Packing	50317203013	1	●	from 2006
3-6	Filter Element	50317203004	1	●	15μ
3-7	Fuel Gauge	50317103002	1	●	till 2016
		50310203008	1	●	from 2017
3-8	Stand	50317203007	1	●	from 2005 N-01
3-9	Return Line	50317203014	1	□	from 2006 N-02, till 2012
3-9A		50317203022	1	●	from 2013 C-01
3-10	Hose Clamp	50319202016	1	N/A	from 2006 N-02, till 2012
			2	●	from 2013 C-01
3-11	Return Line (A)	50346203017	1	●	70mm from 2013 C-01
3-12	Return Line (B)	50346203018	1	●	130mm from 2013 C-01
3-13	Y-shaped Hose Joint	50346203020	1	●	from 2013, C-01