

**INFRARED HEATER**

# **VAL6**

**SUNLIGHT WARMTH TO ANY COLD SPACE**

**MORE THAN ECO FRIENDLY**

**OWN THE SUN**



**KBE5S**

**Shizuoka Seiki**





# THE RIGHT CHOICE FOR YOU

- VAL6** reaches peak efficiency in just a couple of minutes.
- VAL6** is the most fuel efficient oil heater on the market.
- VAL6** is effective in a variety of applications.
- VAL6** is the most efficient form of heating per BTU energy burned.

## ADVANTAGES

### RADIANT HEAT

Heat penetrates evenly like heat from sunlight

### OUTDOOR USE

VAL6 is not affected by wind as forced air heaters that suffer from heat loss in the ambient air

### HEAT TRANSFER

VAL6 generates infrared heat directly to the object without any air movement creating a dust-free comfortable environment

### ODORLESS

Clean, complete combustion system produces no odor or smoke while it is running

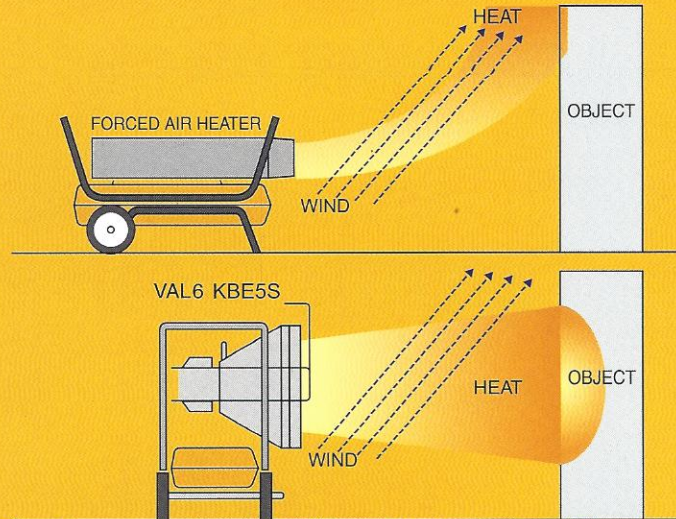
### ENERGY SAVINGS

State of the art combustion chamber enables virtually 100% fuel to energy conversion.

## SPECIFICATIONS

Type	VAL6 KBE5S
Heat Output	111,000 BTU/hr
Nozzle	0.85 gal/hr
Fuel	Diesel, Kerosene
Tank Capacity	9 gallons
Power Source	120V 60Hz
Power Consumption	100W
Safety Device	Photocell flame monitor, 3A fuse Tip-Over Sensor
Adjustable Disk Angle	Tilts upward 20 degrees
Dimensions (H×W×L)	36.1×25.8×27.7 (in)
Dry Weight	83.8 lbs

## STRAIGHT HEATING/DRYING



Radiant heat travels in a straight line, unlike hot air, its unaffected by wind or cold ambient air. Since infrared heat can penetrate into the object, the targeted surface and object are warmed and/dried in a uniquely different way from any convectional heater which utilizes heated air.

## APPLICATION EXAMPLES

- ◆ Factories, Plants, Workshops
- ◆ Outdoor Projects
- ◆ Construction Sites (including indoor use)

## TEMPERATURE DIAGRAM

