

230_{VAC}24_{VDC}

BOB30M

BOB3024E

LINEAR WORM SCREWS

patented FACE gears
full metal mechanics
gear and female screw in bronze
personalised release key

up to 3.0 m



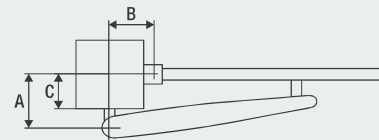
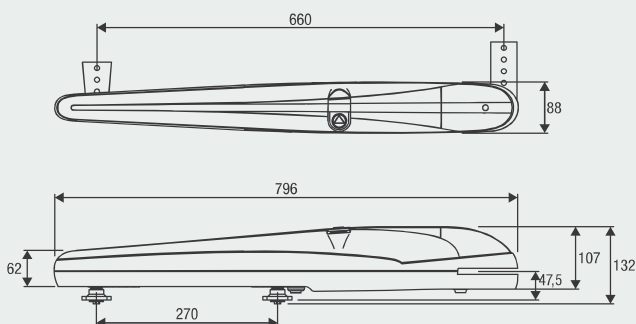
Reliable, quiet, and quick to install geared motor, thanks to its 2 adjustable mechanical stops for opening and closing. Available in the 230 Vac and 24 Vdc versions. Rolled ball screws Ø 20 mm. Easy access release from above.

230 Vac

- Irreversible 230 Vac electromechanical geared motor
- The encoder device in the BOB30ME version ensures crush prevention and precision in the gate moving phases

24 Vdc | intensive use

- Irreversible 24 Vdc electromechanical geared motor for intensive use, equipped with encoder
- The encoder device ensures maximum safety and precision in the gate moving phases
- Amperometric sensor obstacle detection system to prevent crushing
- Optional battery powered operation



A (mm)	B (mm)	C (mm)
105-135	115-135	50-80

COMPLETE KITS	MOTORS	CONTROL UNIT	PHOTOCELLS	FLASHING LIGHT	SELECTOR	TRANSMITTER
KBOB30M	2x BOB30M	1x HEADY	1x PUPILLA.R	1x LAMPL.ED	1x TOKEY	1x TO.GO2VA
KBOB30ME	2x BOB30ME	1x BRAINY	1x PUPILLA.R	1x LAMPL.ED	1x TOKEY	1x TO.GO2VA
KBOB3024E	2x BOB3024E	1x BRAINY24-SW**	1x PUPILLA.R	1x LAMPI24.LED	1x TOKEY	1x TO.GO2VA

**B.SR**

Multiposition brackets for one operator.

**B.P**

Screw-on plate.

**BOB.SL**

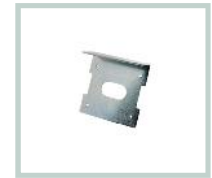
Rear extension for BOB30 series models, to increase performance by up to 15% (see table p. 30) and reduced dimension installation requirements.

**DU.V96**

12 Vac/dc vertical electric lock, supplied with counterplate. Permits internal/external release.

**DU.V90**

12 Vac/dc horizontal electric lock, supplied with counterplate. Permits internal/external release.

**DU.9990**

Covering plate for DU.V90.

**E.LOCK**

230 Vac vertical electric lock, supplied with counterplate.

**E.LOCKSE**

Extended cylinder for E.LOCK electric lock. It allows unlocking gates up to 55mm-thick from the outside.

**CABLE.24E**

Cable reel with 5 conductors (2 for motor, 3 for encoder) for connecting the encoder device in the 24 Vdc versions. L= 100 m.

**ID.TA**

Warning board.

**IRI.TX4VA**

4-channel transmitter with Advanced Rolling Code and Rolling Code.

**IRI.TX4AK**

4-channel transmitter with Advanced Rolling Code and Fixed Code.

**IRI.LAMP**

White full range flashing light, 20-255 VAC with built-in aerial.

**IRI.KPAD**

Battery operated wireless vandal-proof digital keypad with alert buzzer and backlit buttons. Triple coding: Rolling Code, Programmable Code and Advanced Rolling Code. 254 memorisable codes.

**IRI.CELL**

Pair of vandal-proof metal covers for PUPILLA/PUPILLA.R photocells, comprising front and rear shells with concealed screw. They can maintain perfect orientation over 180°.

**PUPILLA**

Pair of photocells adjustable to 180°. Option to synchronise up to 4 pairs, 24 VAC/DC power supply. Easy adjustment through a LED that signals optimal alignment. Compact size: 36x110x35 mm

**BRAINY24.CB-SW**

Accessory equipped with 1.2 Ah batteries and support bracket.

**BRAINY24.CB**

Accessory with CBY.24V battery charger, 1.2 Ah batteries and support bracket.

TECHNICAL DATA	BOB30M*	BOB30ME*	BOB3024E*
Power supply	230 Vac (50-60Hz)	230 Vac (50-60Hz)	230 Vac (50-60Hz)
Motor supply	230 Vac	230 Vac	24 Vdc
Max absorbed current	1,8 A	1,8 A	5,5 A
Max Thrust	2300 N	2300 N	1800 N
Opening time	18"	18"	9" - 21"
Duty cycle	30%	30%	intensive use
Standard stroke	270 mm	270 mm	270 mm
Max stroke	325 mm	325 mm	325 mm
Protection level	IP44	IP44	IP44
Encoder	NO	YES	YES
Operating temperature	-20°C /+50°C	-20°C /+50°C	-20°C /+50°C
Leaf max dimension	3 m	3 m	3 m
Weight	8,5 kg	8,5 kg	8 kg
Items no. per pallet	50	50	50
Kit weight	19,6 kg	20,5 kg	20,7 kg
Kits no. per pallet	18	18	18

* Available in 115 VAC version