



BULL1524



COMMERCIAL USE

control unit with incorporated receiver and virtual encoder
personalised release key
built-in battery charger



up to 1500 kg



CONTROL UNITS:

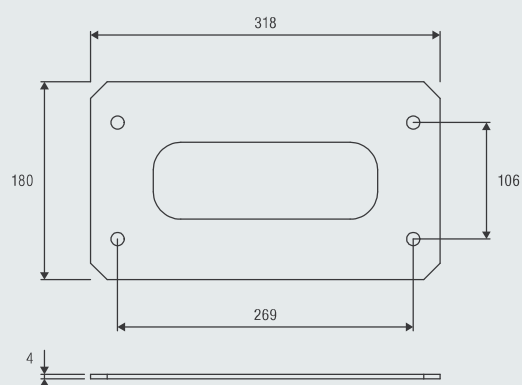
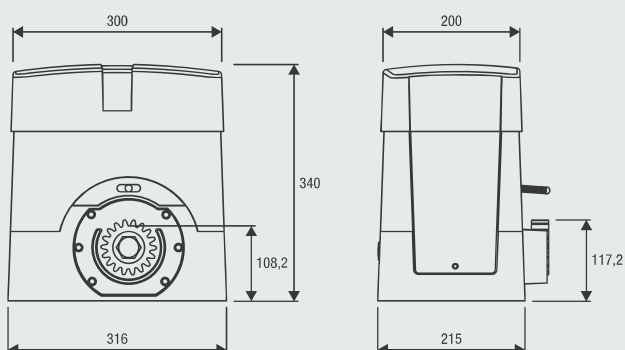
BULL1524 ——— CP,B1524 164



Foundation plate with anchor bolts included.
Motor and floor fixing distance
269 mm x 106 mm, no. 4 Ø 12 mm.

24 Vdc | intensive use

- 24 VDC geared motor with integrated control unit equipped with switching power supply (85÷265 VAC) which reduces energy consumption and ensures a long lifespan of the actuator
- Very intensive use, ideal for condominium applications
- Anti-crushing system with amperometric obstacle detection
- The control unit makes it possible to calculate the position of the motor starting from the measurement of instantaneous speed (virtual encoder)
- The virtual encoder allows proper management of the slowing-down phases, movement tracking (STC system), and torque management in relation to the position of the gate, which guarantees maximum safety
- Fast and easy to install, with the self-programming function through the radio transmitter, activation is possible immediately after installation
- Option to operate opposed sliding gates using the SIS accessory and in case of power failure with the built-in battery charger accessory
- Metal release lever
- Version available with magnetic limit switches (BULL1524.S)





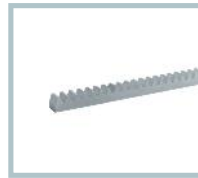
RI.M4F
M4 rack, to weld or attach with screws, 30x12x1000 mm slotted and galvanised. Supplied with M6 metric screws and threaded spacers.
Package of 4 pcs.



RI.M4Z
M4 galvanised rack to weld 22x22x2000 mm.
Package of 2 pcs.



RI.M4ZF
Galvanised slotted M4 rack 22x22x2010 mm for fastening to the side with the teeth. Supplied with M6 screws.
Package of 1 pc.



RI.M6Z
M6 galvanised rack to weld 30x30x2000 mm. Requires pinion RI.P6.



RI.P6
M6 gear, it needs the rack RI.M6Z.



BULL.PI
Raised foundation plate. Height 32 mm. Floor fixing distance 280x170 mm, no. 4 Ø 11 mm, motor fixing distance 269x106 mm, n.4 M10.



SB.BULL20.F
Externally fitted anti-intrusion cable unlock device (L=4.5m).



ID.TA
Warning board.



IRI.TX4VA
4-channel transmitter with Advanced Rolling Code and Rolling Code.



IRI.TX4AK
4-channel transmitter with Advanced Rolling Code and Fixed Code.



IRI.LAMP
White full range flashing light, 20-255 VAC with built-in aerial.



IRI.KPAD
Battery operated wireless vandal-proof digital keypad with alert buzzer and backlit buttons. Triple coding: Rolling Code, Programmable Code and Advanced Rolling Code. 254 memorisable codes.



IRI.CELL
Pair of vandal-proof metal covers for PUPILLA/PUPILLA.R photocells, comprising front and rear shells with concealed screw. They can maintain perfect orientation over 180°.



PUPILLA
Pair of photocells adjustable to 180°. Option to synchronise up to 4 pairs, 24 VAC/DC power supply. Easy adjustment through a LED that signals optimal alignment. Compact size: 36x110x35 mm



BULL1524.CB
Accessory equipped with 1.2 Ah batteries and support bracket.



SIS
Quick connection electronic board that allows synchronised movement of 2 automation devices (opposed sliding gates). One board for each motor is necessary.

TECHNICAL DATA	BULL1524	BULL1524.S
Power supply	85 ÷ 265 Vac (50-60Hz)	85 ÷ 265 Vac (50-60Hz)
Motor supply	24 Vdc	24 Vdc
Max absorbed current	1,7 A	1,7 A
Max Thrust	944 N	944 N
Opening speed	11,7 m/min	11,7 m/min
Duty cycle	intensive use	intensive use
Protection level	IP44	IP44
Magnetic limit switches	NO	YES
Operating temperature	-20°C /+50°C	-20°C /+50°C
Max gate weight	1500 kg	1500 kg
Driving gear for rack	M4 Z18	M4 Z18
Weight	15,9 kg	16 kg
Items no. per pallet	20	20