



230<sub>VAC</sub>

# BILL30M



## CONTROL UNITS:

**BILL30M**

BRAINY  
HEADY

134  
135

### LINEAR TELESCOPIC OPERATOR

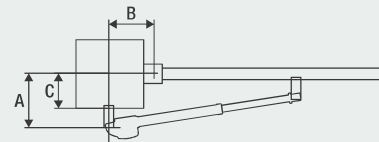
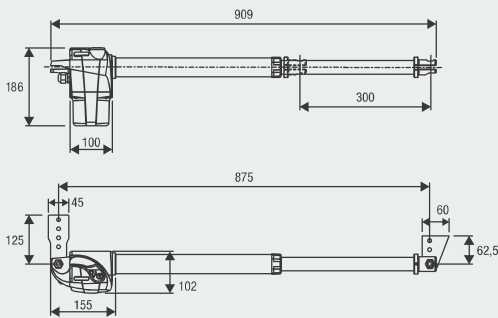
personalised release key

**up to 2.5 m**



## 230 Vac

- Irreversible 230 Vac electromechanical geared motor with easy access release from above
- Neat design and size, particularly suited to forged iron gates
- Easy and quick to install due to compact size and installation geometry
- Worm protected by a scraper ring and stainless steel stem, suitable for use in dusty and sandy environments or where there are aggressive atmospheric agents
- Available in right or left version



A (mm)	B (mm)	C (mm)
100-150	100-150	60-100

#### COMPLETE KITS



MOTORS  
2x **BILL30M**



CONTROL UNIT  
1x **HEADY**



PHOTOCELLS  
1x **PUPILLA.R**



FLASHING LIGHT  
1x **LAMPLI.LED**



SELECTOR  
1x **TOKEY**

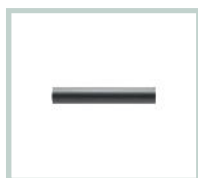


TRANSMITTER  
1x **TO.GO2VA**

**KBILL30M**



**B.SR**  
Multiposition brackets for one operator.



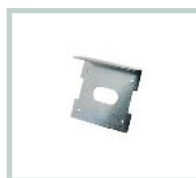
**BILL30.CO**  
Telescopic stem cover accessory.



**DU.V96**  
12 Vac/dc vertical electric lock, supplied with counterplate. Permits internal/external release.



**DU.V90**  
12 Vac/dc horizontal electric lock, supplied with counterplate. Permits internal/external release.



**DU.9990**  
Covering plate for DU.V90.



**E.LOCK**  
230 Vac vertical electric lock, supplied with counterplate.



**E.LOCKSE**  
Extended cylinder for E.LOCK electric lock. It allows unlocking gates up to 55mm-thick from the outside.



**ID.TA**  
Warning board.



**IRI.TX4VA**  
4-channel transmitter with Advanced Rolling Code and Rolling Code.



**IRI.TX4AK**  
4-channel transmitter with Advanced Rolling Code and Fixed Code.



**IRI.LAMP**  
White full range flashing light, 20-255 VAC with built-in aerial.



**IRI.KPAD**  
Battery operated wireless vandal-proof digital keypad with alert buzzer and backlit buttons. Triple coding: Rolling Code, Programmable Code and Advanced Rolling Code. 254 memorisable codes.



**IRI.CELL**  
Pair of vandal-proof metal covers for PUPILLA/PUPILLA.R photocells, comprising front and rear shells with concealed screw. They can maintain perfect orientation over 180°.



**PUPILLA**  
Pair of photocells adjustable to 180°. Option to synchronise up to 4 pairs, 24 VAC/DC power supply. Easy adjustment through a LED that signals optimal alignment. Compact size: 36x110x35 mm

TECHNICAL DATA	BILL30M*
Power supply	230 Vac (50-60Hz)
Motor supply	230 Vac
Max absorbed current	1,1 A
Max Thrust	2800 N
Opening time	16"
Duty cycle	30%
Standard stroke	300 mm
Max stroke	320 mm
Protection level	IP54
Operating temperature	-20°C /+50°C
Leaf max dimension	2,5 m
Weight	6,1 kg
Items no. per pallet	62
Kit weight	14,6 kg
Kits no. per pallet	40

\* Available in 115 VAC version