

Need Help?

call us:



435-752-6611

mail us:



cs@heatstorm.com

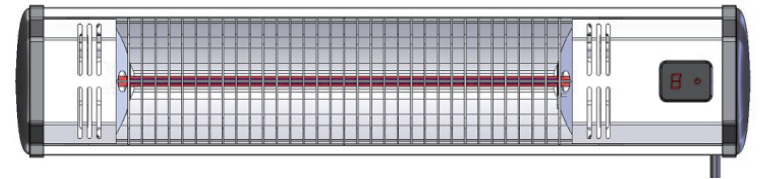
Visit us at:

heatstorm.com

for more product information

User Manual

and Safety Instructions



Infrared Heater

1500 WATT | INDOOR-OUTDOOR

MODEL:
HS-1500-OTR-R

SAVE THIS INSTRUCTIONS

TABLE OF CONTENTS:

Introduction.....	1
Safety Awareness.....	2
Parts.....	3
Installation.....	4
Wall and Ceiling Mounting.....	5
Operating Instructions.....	6
Cleaning & Maintenance.....	6



Return Policy

If you purchased the heater directly from EnergyWise Solutions we will refund the total sales amount when merchandise is received:

- 1) In new condition
- 2) Packed in its original manufacturers box and all original packaging material included
- 3) Original manuals and any accessories that came with the item also included.

Manufacturer Return Policy:

If you have purchased a product that needs an Exchange, Refund or Warranty claim the buyer will be responsible for all rates/shipping charges after 30 days of the purchase date.

7. All other warranties – expressed or implied – with respect to the product, its components, and accessories, or any obligations/liabilities on the part of the manufacturer are hereby expressly excluded.

8. The manufacturer neither assumes nor authorizes any third-party to assume on its behalf, any other liabilities with respect to the sale of the product.

9. The warranties as outlined in this document do not apply to non-accessories used in conjunction with the installation of this product.

10. This warranty gives you specific legal rights, and you may also have other rights which vary from state to state. This warranty is void if:

A) The heater is subjected to prolonged periods of dampness or condensation.

B) Any unauthorized alteration, willful abuse, accident, or misuse of the product.

C) You do not have the original receipt of purchase.

Introduction

PLEASE READ ALL THE INSTRUCTIONS BEFORE OPERATING THIS HEATER.



WARNING:



IF THE DIRECTIONS IN THIS MANUAL ARE NOT FOLLOWED, AN ELECTRIC SHOCK OR FIRE MAY RESULT CAUSING PROPERTY DAMAGE, PERSONAL INJURY OR LOSS OF LIFE.



DO NOT STORE OR USE GASOLINE OR OTHER FLAMMABLE VAPORS AND LIQUIDS IN THE VICINITY OF THIS OR ANY OTHER HEATING APPLIANCE.



ANY REQUIRED SERVICE OTHER THAN FILTER MAINTENANCE SHOULD ONLY BE PERFORMED BY AN AUTHORIZED SERVICE REPRESENTATIVE.

WARNING – TO REDUCE THE RISK OF FIRE:

1. Do not place any objects such as furniture, papers, clothes, and curtains closer than 3 feet to the front of the heater and keep them away from the sides and rear when the heater is plugged in.
2. Do not place the heater near a bed because objects such as pillows or blankets can fall off the bed and be ignited by the heater.
3. Always unplug the heater if it is not being used.
4. Avoid the use of an extension cord because the extension cord may overheat and cause a risk of fire. However, if you have to use an extension cord, the cord shall be 16 AWG minimum size and rated not less than 1500 watts.

Safety & Awareness

IMPORTANT INSTRUCTIONS

When using electrical appliances, basic precaution should always be followed to reduce the risk of fire, electric shock, and injury to persons,

including the following:

1. Read all instructions before installing or using this heater.
2. This heater is hot when in use. To avoid burns, do not let bare skin touch hot surfaces. Keep combustible materials, such as furniture, pillows, bedding, papers, clothes, etc. and curtains at least 3 feet from the front of the heater and keep them away from the sides and rear (sides and rear restrictions apply to location dedicated heaters only).
3. Extreme caution is necessary when any heater is used by or near children or invalids and whenever the heater is left operating and unattended.
4. Do not operate any heater after it malfunctions. Disconnect power at service panel and have heater inspected by a reputable electrician before reusing.
5. To disconnect heater, turn controls to off, and turn off power to heater circuit at main disconnect panel (or operate internal disconnect switch if provided).
6. Do not insert or allow foreign objects to enter any ventilation or exhaust opening as this may cause an electric shock or fire, or damage the heater.
7. To prevent a possible fire, do not block air intakes or exhaust in any manner.
8. A heater has hot and arcing or sparking parts inside. Do not use it in areas where gasoline, paint, or flammable vapors or liquids are used or stored.
9. Use this heater only as described in this manual. Any other use not recommended by the manufacturer may cause fire, electric shock, or injury to persons.
10. SAVE THESE INSTRUCTIONS



1 Year Limited Warranty

MODELS: All models and accessories

The manufacturer warrants this product to be free from manufacturing and material defects for a period of one year from date of purchase, subject to the following conditions and limitations.

1. Install and operate this electric heater in accordance with the installation and operating instructions furnished with the product at all times. Any unauthorized repair, alteration, willful abuse, accident, or misuse of the products shall nullify this warranty.
2. This warranty is non-transferable and it's made to the original owner, provided that the purchase was made through an authorized supplier of the product.
3. The warranty is limited to the repair or replacement of part(s) found to be defective in material or workmanship, provided that such part(s) have been subjected to normal conditions of use and service after said defect is confirmed by the manufacturers inspection.
4. The manufacturer may, at its discretion, fully discharge all obligations with respect to this warranty by refunding the whole-sale price of the defective part(s).
5. Any installation, labor, construction, transportation, or other related costs/expenses arising from defective part(s), repair, replacement, or otherwise of same, will not be covered by this warranty, nor shall the manufacturer assume responsibility for same.
6. The owner/user assumes all other risks, if any, including the risk of any direct, indirect or consequential loss or damage arising out of the use, or inability to use the product, except as provided by law.

Operating Instructions

WARNING:

- Do not use the heater directly near a bathtub, a shower or a swimming pool.
 - Never plug the appliance into the socket with wet hands
1. Turn on/ off with heater switch or remote control single touch on/off by firmly plugging in the power cord.
 2. Delay off time setting, under “standby” status, press the timer bottom to enable edit mode. Press the timer to add or take away time cycles 1 to 9. Wait 5 seconds for timer setting to activate. Touch on/off to cancel delay off setting.

MAINTENANCE INSTRUCTIONS

WARNING:

- Before cleaning, unplug from the power supply and wait a few minutes to cool down.
- This heater contains no moving parts, it needs very little maintenance. However, when the heater builds up heavy dirt, use a soft cloth to wipe it off.
- All other servicing should be performed by qualified service personnel

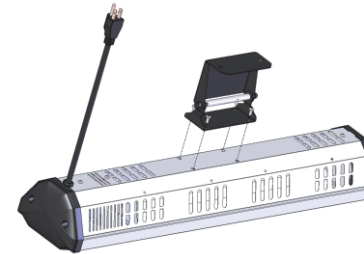
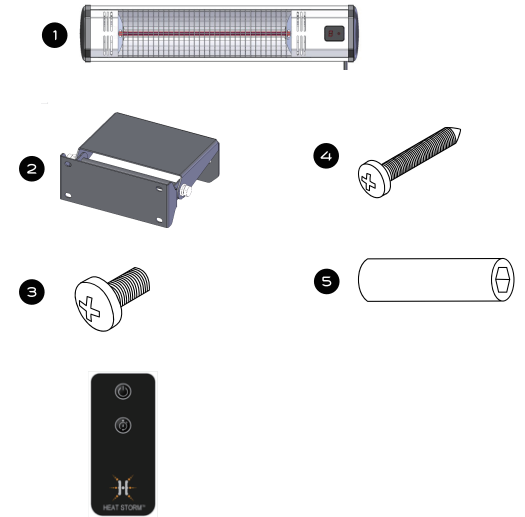
HEATING ELEMENT REPLACEMENT

If the heating element malfunctions and needs to be replaced, it should only be changed by a service agent

SAVE THESE INSTRUCTIONS

Parts

1. Heater (x1)
2. Wall Bracket Assembly (x1)
3. M4x8 Screw (x4)
4. Self Tapping Screw (x2)
5. Plastic Plug (x2)
6. Remote control



Mount heater bracket to back of heater.



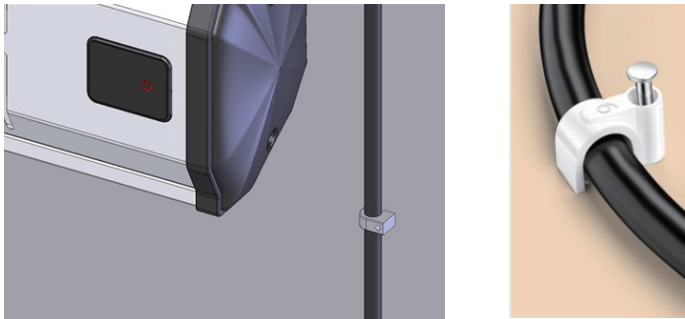
Mount wall bracket to desired surface, then connect heater bracket to the wall bracket.

CAUTION: This heater must be mounted in Horizontal position

Installation

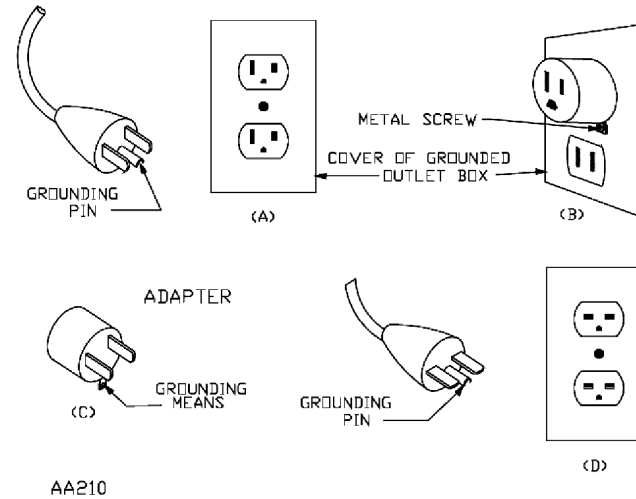
PRECAUTION:

- Installation should always be carried out by a qualified electrician or a qualified service personnel.
- The energy supply must be done through a properly grounded socket.
- The heaters should always only use the mounting brackets provided.
- The heater should not be facing the ceiling or flammable substances.
- Do not use the heater directly near a bathtub, a shower, a swimming pool.
- Ensure that there is no possibility of flammable material coming into contact with the heater, or lies near the heater.
- Do not use gasoline or other flammable vapors or liquids, including aerosols cans, in the vicinity of this heater while it is operating, such as hydrogen, acetylene, ammonia, Methane, ethylene, and carbon monoxide or other gases lighter than air.
- The heaters are fitted with safety guards. These are intended only to stop large objects from hitting the emitters. On no account should the heater be operated with the guard removed.
- The cable must be fixed on the wall or at the ceiling by cable clips



- This heater is for use on 120 volts. The cord has a plug as shown at A in Figure 60.1. The cord has a plug as shown at A in Figure 60.1. An adapter as shown at C is available for connecting three-blade grounding-type plugs to two-slot receptacles. The green grounding lug extending from the adapter must be connected to a permanent ground such as a properly grounded outlet box. The adapter should not be used if a three-slot grounded receptacle is

Figure 60.1
Grounding methods



AA210

Wall and Ceiling Mounting

ONLY USE SUPPLIED BRACKETS.

1. Ensure the power cable does not touch the reflector of the heater or hangs into the heated area.
2. Ensure the power cable can reach an indoor socket. Do not twist or bend the power cable.
3. This heater is IPX4 protection, and can be used indoors or outdoors. If using outdoors and you need a extend socket, the cable and the socket system must be waterproof.
4. Do not install closer than 19.7 inches (500 millimeters) to a (vertical, horizontal, etc.) surface.

