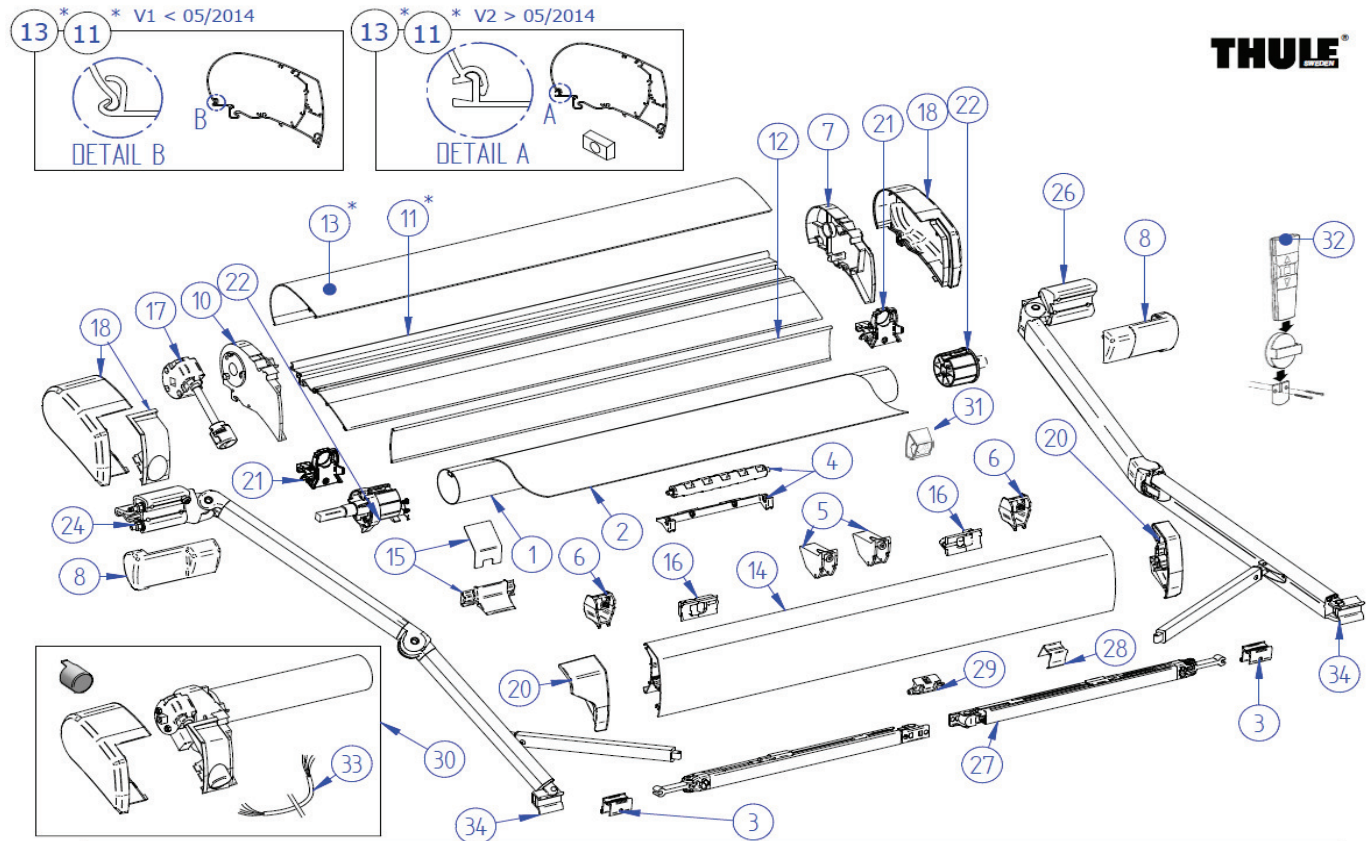


2017 SPARE PARTS LIST

9200

THULE
SWEDEN

6AC600-02



THULE Omnistor 9200

6AC 600-03

	ART.NR.	DESCRIPTION	RETAIL € (ex.VAT)
1	1500602617	ROLLER TUBE D=63 / 9200-4.00M	66,60
	1500602618	ROLLER TUBE D=63 / 9200-4.50M	74,20
	1500602417	ROLLER TUBE D=63 / 9200-5,00M	81,20
	1500602418	ROLLER TUBE D=63 / 9200-5,50M	88,60
	1500602419	ROLLER TUBE D=63 / 9200-6,00M	96,00
2	1500602420	FABRIC 4.00M 9200 03	326,80
	1500602421	FABRIC 4.00M 9200 04	326,80
	1500602422	FABRIC 4.00M 9200 22	326,80
	1500602423	FABRIC 4.00M 9200 31	326,80
	1500602424	FABRIC 4.00M 9200 32	326,80
	1500602425	FABRIC 4.50M 9200 03	355,80
	1500602426	FABRIC 4.50M 9200 04	355,80
	1500602427	FABRIC 4.50M 9200 22	355,80
	1500602428	FABRIC 4.50M 9200 31	355,80
	1500602429	FABRIC 4.50M 9200 32	355,80
	1500602430	FABRIC 5,00M 9200 03	386,20
	1500602431	FABRIC 5,00M 9200 04	386,20
	1500602432	FABRIC 5,00M 9200 22	386,20
	1500602433	FABRIC 5,00M 9200 31	386,20
	1500602434	FABRIC 5,00M 9200 32	386,20
	1500602435	FABRIC 5,50M 9200 03	415,60
	1500602436	FABRIC 5,50M 9200 04	415,60
	1500602437	FABRIC 5,50M 9200 22	415,60
	1500602438	FABRIC 5,50M 9200 31	415,60
	1500602439	FABRIC 5,50M 9200 32	415,60
	1500602440	FABRIC 6,00M 9200 03	446,00
	1500602441	FABRIC 6,00M 9200 04	446,00
	1500602442	FABRIC 6,00M 9200 22	446,00
	1500602443	FABRIC 6,00M 9200 31	446,00
	1500602444	FABRIC 6,00M 9200 32	446,00
3	1500601602	LH & RH CONNECTION SUPPORT ARM	3,80
4	1500602445	CENTER SUPPORT ROLLER TUBE 9200	22,80

2017 SPARE PARTS LIST



9200

6AC600-02

5	1500602446	GLIDING ANGLE LEAD RAIL 9200	7,00
6	1500602447	INSERT LEAD RAIL 9200 2PC	7,00
7	1500602448	RH ENDPLATE ASSY 9200	27,20
8	1500602449	LH + RH COVER SUPPORT SPRING ARM 9200	9,20
10	1500602450	LH ENDPLATE ASSY 9200	27,20
11	1500602812	BACK HOUSING 9200 4,00M V2	220,00
	1500602813	BACK HOUSING 9200 4,50M V2	247,40
	1500602814	BACK HOUSING 9200 5,00M V2	274,80
	1500602815	BACK HOUSING 9200 5,50M V2	302,40
	1500602816	BACK HOUSING 9200 6,00M V2	326,80
12	1500602456	SUPPORT ROLLER TUBE 9200 4,00M	50,80
	1500602457	SUPPORT ROLLER TUBE 9200 4,50M	59,40
	1500602458	SUPPORT ROLLER TUBE 9200 5,00M	67,80
	1500602459	SUPPORT ROLLER TUBE 9200 5,50M	76,20
	1500602460	SUPPORT ROLLER TUBE 9200 6,00M	84,80
13V1	1500602461	COVER HOUSING 9200 4,00M WHITE V1	163,60
	1500602462	COVER HOUSING 9200 4,50M WHITE V1	186,00
	1500602463	COVER HOUSING 9200 5,00M WHITE V1	208,40
	1500602464	COVER HOUSING 9200 5,50M WHITE V1	231,00
	1500602465	COVER HOUSING 9200 6,00M WHITE V1	253,40
	1500602466	COVER HOUSING 9200 4,00M ANO V1	163,60
	1500602467	COVER HOUSING 9200 4,50M ANO V1	186,00
	1500602468	COVER HOUSING 9200 5,00M ANO V1	208,40
	1500602469	COVER HOUSING 9200 5,50M ANO V1	231,00
	1500602470	COVER HOUSING 9200 6,00M ANO V1	253,40
	1500602471	COVER HOUSING 9200 4,00M CREAM V1	163,60
	1500602472	COVER HOUSING 9200 4,50M CREAM V1	186,00
	1500602473	COVER HOUSING 9200 5,00M CREAM V1	208,40
	1500602474	COVER HOUSING 9200 5,50M CREAM V1	231,00
	1500602475	COVER HOUSING 9200 6,00M CREAM V1	253,40
13V2	1500602817	COVER HOUSING 9200 4,00M WHITE V2	163,60
	1500602818	COVER HOUSING 9200 4,50M WHITE V2	186,00
	1500602819	COVER HOUSING 9200 5,00M WHITE V2	208,40
	1500602820	COVER HOUSING 9200 5,50M WHITE V2	231,00
	1500602821	COVER HOUSING 9200 6,00M WHITE V2	253,40
	1500602822	COVER HOUSING 9200 4,00M ANO V2	163,60
	1500602823	COVER HOUSING 9200 4,50M ANO V2	186,00
	1500602824	COVER HOUSING 9200 5,00M ANO V2	208,40
	1500602825	COVER HOUSING 9200 5,50M ANO V2	231,00
	1500602826	COVER HOUSING 9200 6,00M ANO V2	253,40
	1500602827	COVER HOUSING 9200 4,00M CREAM V2	163,60
	1500602828	COVER HOUSING 9200 4,50M CREAM V2	186,00
	1500602829	COVER HOUSING 9200 5,00M CREAM V2	208,40
	1500602830	COVER HOUSING 9200 5,50M CREAM V2	231,00
	1500602831	COVER HOUSING 9200 6,00M CREAM V2	253,40
14	1500602476	LEAD RAIL 9200 4.00M WHITE	202,80
	1500602477	LEAD RAIL 9200 4.50M WHITE	228,20
	1500602478	LEAD RAIL 9200 5.00M WHITE	253,40
	1500602479	LEAD RAIL 9200 5.50M WHITE	278,80
	1500602480	LEAD RAIL 9200 6.00M WHITE	304,20
	1500602481	LEAD RAIL 9200 4.00M ANO	202,80
	1500602482	LEAD RAIL 9200 4.50M ANO	228,20
	1500602483	LEAD RAIL 9200 5.00M ANO	253,40
	1500602484	LEAD RAIL 9200 5.50M ANO	278,80
	1500602485	LEAD RAIL 9200 6.00M ANO	304,20
	1500602486	LEAD RAIL 9200 4.00M CREAM	202,80
	1500602487	LEAD RAIL 9200 4.50M CREAM	228,20
	1500602488	LEAD RAIL 9200 5.00M CREAM	253,40
	1500602489	LEAD RAIL 9200 5.50M CREAM	278,80
	1500602490	LEAD RAIL 9200 6.00M CREAM	304,20
15	1500602491	SPRING & SUPPORT 9200	11,60
16	1500601298	LH & RH GLIDING PIECES TENSION ARMS	20,00

2017 SPARE PARTS LIST



9200

6AC600-02

17	1500602698	GEAR ASSY+COUPL.FUNN 9200	42,80
18	1500602492	LH+RH ENDCAP MAINHOUSING 9200 WHITE	18,20
	1500602493	LH+RH ENDCAP MAINHOUSING 9200 ANO	18,20
	1500602494	LH+RH ENDCAP MAINHOUSING 9200 CREAM	34,20
20	1500602495	LH+RH ENDCAP LEADRAIL 9200 WHITE	13,80
	1500602496	LH+RH ENDCAP LEADRAIL 9200 ANO	13,80
	1500602497	LH+RH ENDCAP LEADRAIL 9200 CREAM	13,80
21	1500602498	HOUSING CON.PCE TENSION RAFTER 9200	7,00
22	1500602499	LH + RH ENDCAP ROLLERTUBE 9200	28,40
24	1500602500	L.H. SPRING ARM 9200	214,00
26	1500602501	R.H. SPRING ARM 9200	214,00
27	1500601312	SUPPORT ARM V2 LARGE	68,80
28	1500602502	ANTI RATTILING SUPPORT ARM 6200/9200	7,00
29	1500601789	CENTRAL CLAMP SUPPORT ARM V2	3,20
30	306772	220V MOTORKIT 9200 WHITE	see price list
	306773	220V MOTORKIT 9200 ANO	see price list
	306774	220V MOTORKIT 9200 CREAM	see price list
31	1500603113	POSIT. BLOCK + TENS. RAFTER HOUSING 9200 1+1PC	10,60
32	1500601129	REMOTE CONTROL 8000/9200 220V	93,00
33	1500602749	CABLE 220V MOTOR 9200 5,00M	60,20
34	1500602759	LH+RH CONN.LEAD RAIL 9200	23,60
	1500602760	LH+RH STOP SPRING ARM 9200	27,40