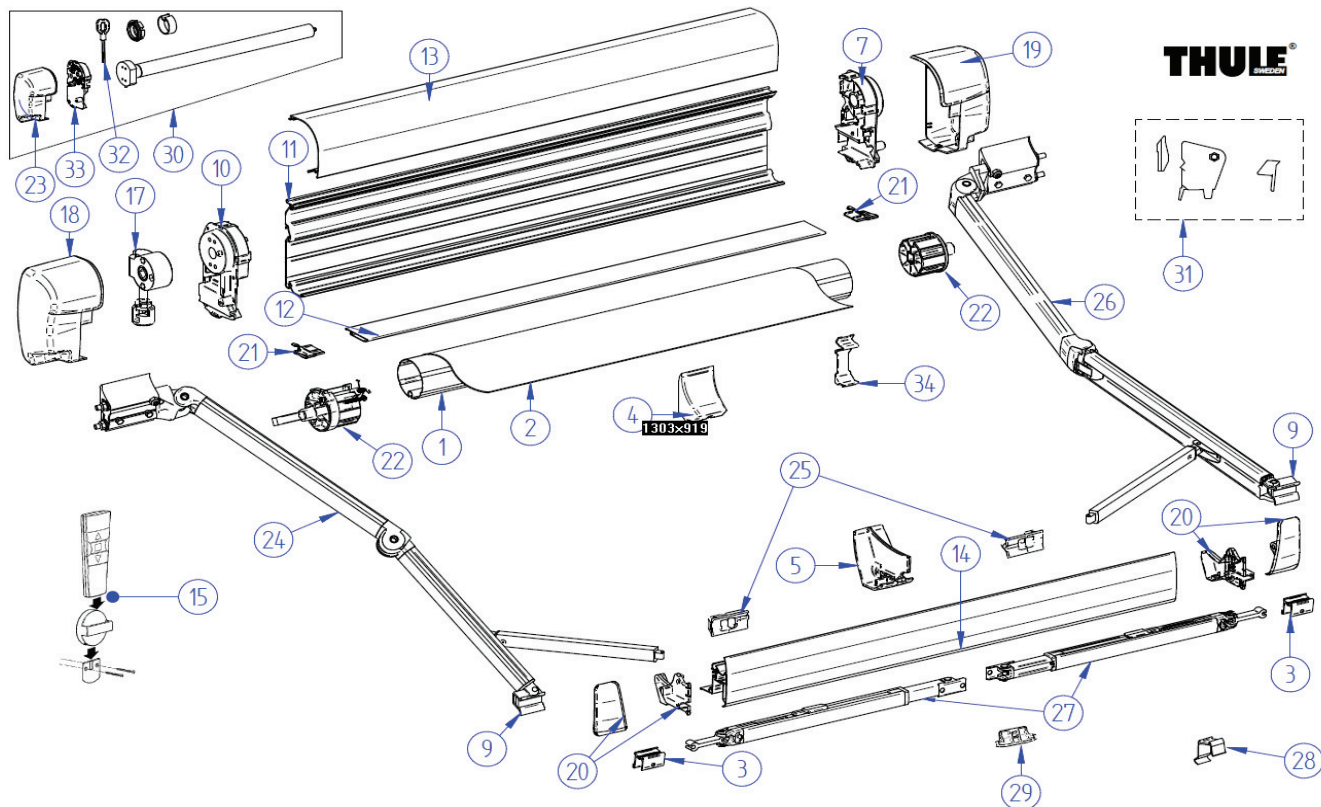


2017 SPARE PARTS LIST

8000

THULE
SWEDEN

5AP606-01



THULE Omnistor 8000

SAP 606-01

	ART.NR.	DESCRIPTION	RETAIL € (ex. VAT)
1	1500601797	ROLLER TUBE 70 / 8000 -3,50M	62,40
	1500601798	ROLLER TUBE 70 / 8000 -4,00M	62,40
	1500601799	ROLLER TUBE 70 / 8000 -4,50M	70,20
	1500601800	ROLLER TUBE 70 / 8000 -5,00M	78,40
	1500601801	ROLLER TUBE 70 / 8000 -5,50M	86,60
	1500601802	ROLLER TUBE 70 / 8000 -6,00M	94,80
2	1500601825	FABRIC 8000 3,50M 03	244,80
	1500601826	FABRIC 8000 3,50M 04	244,80
	1500601830	FABRIC 8000 3,50M 22	244,80
	1500601832	FABRIC 8000 3,50M 31	244,80
	1500601833	FABRIC 8000 3,50M 32	244,80
	1500600077	FABRIC 4.00M 8000 03	296,60
	1500600078	FABRIC 4.00M 8000 04	296,60
	1500600082	FABRIC 4.00M 8000 22 RAL 9002	296,60
	1500601701	FABRIC 4.00M 8000 31	296,60
	1500601702	FABRIC 4.00M 8000 32	296,60
	1500600084	FABRIC 4.50M 8000 03	323,80
	1500600085	FABRIC 4.50M 8000 04	323,80
	1500600089	FABRIC 4.50M 8000 22 RAL 9002	323,80
	1500601703	FABRIC 4.50M 8000 31	323,80
	1500601704	FABRIC 4.50M 8000 32	323,80
	1500600092	FABRIC 5.00M 8000 03	351,00
	1500600093	FABRIC 5.00M 8000 04	351,00
	1500600097	FABRIC 5.00M 8000 22 RAL 9002	351,00
	1500601705	FABRIC 5.00M 8000 31	351,00
	1500601706	FABRIC 5.00M 8000 32	351,00
	1500600099	FABRIC 5.50M 8000 03	378,20
	1500600100	FABRIC 5.50M 8000 04	378,20
	1500600104	FABRIC 5.50M 8000 22 RAL 9002	378,20
	1500601707	FABRIC 5.50M 8000 31	378,20
	1500601708	FABRIC 5.50M 8000 32	378,20

2017 SPARE PARTS LIST

8000



5AP606-01

	1500600106	FABRIC 6.00M 8000 03	405,00
	1500600107	FABRIC 6.00M 8000 04	405,00
	1500600111	FABRIC 6.00M 8000 22 RAL 9002	405,00
	1500601686	FABRIC 6.00M 8000 31	405,00
	1500601709	FABRIC 6.00M 8000 32	405,00
3	1500601602	CONNECT. SUPP. ARM	3,80
4	1500600325	LEAD RAIL HOLD DOWN 8000	4,60
5	1500600326	GLIDING ANGLE LEAD RAIL 8000	3,00
6	1500600863	RELAIS + FEET MOTOR 8000 220V	30,00
7	1500600865	RH MAIN HOUS.END PL. ASSY 8000	26,20
	1500600867	RH ENDPLATE 8000 220V	16,20
8	1500601834	L.H. END PLATE ASSY 8000-220V	28,20
9	1500601259	LH+RH CONN.LEAD RAIL	25,60
	1500602758	LH+RH STOP SPRING ARM 8000	27,40
10	1500600871	L.H. END PLATE ASSY 8000	28,20
11	1500602049	BACK HOUSING 8000 - 3,50M	170,60
	1500600890	BACK HOUSING 8000 - 4.00 M	170,60
	1500600891	BACK HOUSING 8000 - 4.50M	191,80
	1500600892	BACK HOUSING 8000 - 5.00M	213,20
	1500600893	BACK HOUSING 8000 - 5.50M	234,40
	1500600894	BACK HOUSING 8000 - 6.00M	256,00
	1500602050	BACK HOUSING 8000 ANO - 3,50M	170,60
	1500600910	BACK HOUSING 8000 ANO - 4.00M	170,60
	1500600911	BACK HOUSING 8000 ANO - 4.50M	191,80
	1500600912	BACK HOUSING 8000 ANO - 5.00M	213,20
	1500600913	BACK HOUSING 8000 ANO 5.50M	234,40
	1500600914	BACK HOUSING 8000 ANO - 6.00M	256,00
	1500602289	BACK HOUSING 8000 - 4.00 M RAL9002	170,60
	1500602290	BACK HOUSING 8000 - 4.50 M RAL9002	191,80
	1500602291	BACK HOUSING 8000 - 5.00 M RAL9002	213,20
	1500602292	BACK HOUSING 8000 - 5.50 M RAL9002	234,40
	1500602293	BACK HOUSING 8000 - 6.00 M RAL9002	256,00
12	1500602051	MAINHOUSING BOTTOM 8000 - 3,50M	42,60
	1500600895	MAINHOUSING BOTTOM 8000 - 4.00M	42,60
	1500600896	MAINHOUSING BOTTOM 8000 - 4.50M	47,80
	1500600897	MAINHOUSING BOTTOM 8000 - 5.00M	53,40
	1500600898	MAINHOUSING BOTTOM 8000 - 5.50M	59,80
	1500600899	MAINHOUSING BOTTOM 8000 - 6.00M	66,40
	1500602052	MAINHOUSING BOTTOM 8000 ANO - 3,50M	42,60
	1500600915	MAINHOUSING BOTTOM 8000 ANO - 4.00M	42,60
	1500600916	MAINHOUSING BOTTOM 8000 ANO - 4.50M	47,80
	1500600917	MAINHOUSING BOTTOM 8000 ANO - 5.00M	53,40
	1500600918	MAINHOUSING BOTTOM 8000 ANO - 5.50M	59,80
	1500600919	MAINHOUSING BOTTOM 8000 ANO - 6.00M	66,40
	1500602294	MAINHOUSING BOTTOM 8000 RAL9002 - 4.00M	42,60
	1500602295	MAINHOUSING BOTTOM 8000 RAL9002 - 4.50M	47,80
	1500602296	MAINHOUSING BOTTOM 8000 RAL9002 - 5.00M	53,40
	1500602297	MAINHOUSING BOTTOM 8000 RAL9002 - 5.50M	59,80
	1500602298	MAINHOUSING BOTTOM 8000 RAL9002 - 6.00M	66,40
13	1500602053	ROOFHOUSING 8000 - 3,50M	113,20
	1500600900	ROOFHOUSING 8000 - 4.00M	113,20
	1500600901	ROOFHOUSING 8000 - 4.50M	127,40
	1500600902	ROOFHOUSING 8000 - 5.00M	141,60
	1500600903	ROOFHOUSING 8000 - 5.50M	155,80
	1500600904	ROOFHOUSING 8000 - 6.00M	170,00
	1500602054	ROOFHOUSING 8000 ANO - 3,50M	113,20
	1500600920	ROOFHOUSING 8000 ANO - 4.00M	113,20

2017 SPARE PARTS LIST

8000



5AP606-01

	1500600921	ROOFHOUSING 8000 ANO - 4.50M	127,40
	1500600922	ROOFHOUSING 8000 ANO - 5.00M	141,60
	1500600923	ROOFHOUSING 8000 ANO - 5.50M	155,80
	1500600924	ROOFHOUSING 8000 ANO - 6.00M	170,00
	1500602299	ROOFHOUSING 8000 RAL9002 - 4.00M	113,20
	1500602300	ROOFHOUSING 8000 RAL9002 - 4.50M	127,40
	1500602301	ROOFHOUSING 8000 RAL9002 - 5.00M	141,60
	1500602302	ROOFHOUSING 8000 RAL9002 - 5.50M	155,80
	1500602303	ROOFHOUSING 8000 RAL9002 - 6.00M	170,00
14	1500602055	LEADRAIL 8000 - 3,50M	159,60
	1500600905	LEADRAIL 8000 - 4.00M	159,60
	1500600906	LEADRAIL 8000 - 4.50M	179,80
	1500600907	LEADRAIL 8000 - 5.00M	200,20
	1500600908	LEADRAIL 8000 - 5.50M	220,20
	1500600909	LEADRAIL 8000 - 6.00M	238,60
	1500602056	LEADRAIL 8000 ANO - 3,50M	159,60
	1500600925	LEADRAIL 8000 ANO - 4.00M	159,60
	1500600926	LEADRAIL 8000 ANO - 4.50M	179,80
	1500600927	LEADRAIL 8000 ANO - 5.00M	200,20
	1500600928	LEADRAIL 8000 ANO - 5.50M	220,20
	1500600929	LEADRAIL 8000 ANO - 6.00M	238,60
	1500602304	LEAD RAIL 8000 - 4,00M RAL9002	159,60
	1500602305	LEAD RAIL 8000 - 4,50M RAL9002	179,80
	1500602306	LEAD RAIL 8000 - 5,00M RAL9002	200,20
	1500602283	LEAD RAIL 8000 - 5,50M RAL9002	220,20
	1500602308	LEAD RAIL 8000 - 6,00M RAL9002	238,60
15	1500601129	REMOTE CONTROL 8000 220V	93,00
16	1500601207	HAND CRANK ASSY SHORT	39,60
17	1500601210	GEAR ASSY+COUPLING FUNNEL 8000	42,80
18	1500601249	LH ENDCAP MAINHOUSING 8000	9,00
	1500601250	LH ENDCAP MAINHOUSING 8000 ANO	24,00
	1500602286	LH ENDCAP MAINHOUSING 8000 RAL9002	24,00
19	1500601251	RH ENDCAP MAINHOUSING 8000	9,00
	1500601252	RH ENDCAP MAINHOUSING 8000 ANO	24,00
	1500602287	RH ENDCAP MAINHOUSING 8000 RAL9002	24,00
20	1500601254	LH+RH LEAD RAIL END PLATE 8000	8,60
	1500601255	LH+RH LEAD RAIL ENDPL.8000 ANO	22,80
	1500602288	LH+RH LEAD RAIL ENDPL.8000 RAL9002	22,80
21	1500601256	LH+RH SIDE CAP MH BOTTOM 8000	5,00
	1500601257	LH+RH SIDECAP MH BOTT.8000 ANO	13,60
22	1500601258	LH+RH ROLLER TUBE ASSY 8000	13,60
23	1500601260	LH ENDCAP MH 8000 220V	9,00
	1500601261	LH ENDCAP MH 8000 220V ANO	24,00
	1500602757	LH ENDCAP MH 8000 220V RAL9002	24,00
24	1500602059	L.H. SPRING ARM COMPL. 8000 ≥4,00M	181,80
	1500602057	L.H. SPRING ARM 8000 - 3,50M	176,00
25	1500601298	LH & RH GLIDING PIECES TENSION ARMS	20,00
26	1500602060	R.H.SPR.ARM COMPL. 8000 ≥4,00M	181,80
	1500602058	RH. SPRING ARM 8000 - 3,50M	176,00
27	1500601612	SUPPORT ARM V2 3.50M	62,40
	1500601312	SUPPORT ARM V2 LARGE	68,80
28	1500602342	ANTI RATTILING SUPPORT ARM	7,00
29	1500601789	CENTRAL CLAMP SUPPORT ARM V2	3,20
30	307924	220V MOTOR 8000 WHITE	see price list
	307925	220V MOTOR 8000 ANO	see price list
31	1500601399	CONNECTION PCS TENSION RAFTER 8000	7,00
32	1500602375	EMERGENCY HAND CRANK 8000	21,60
33	1500602391	LH END PLATE HOUSING 8000 220V	28,20
34	1500602327	SPRING ARM PROTECTION KIT 8000	7,00