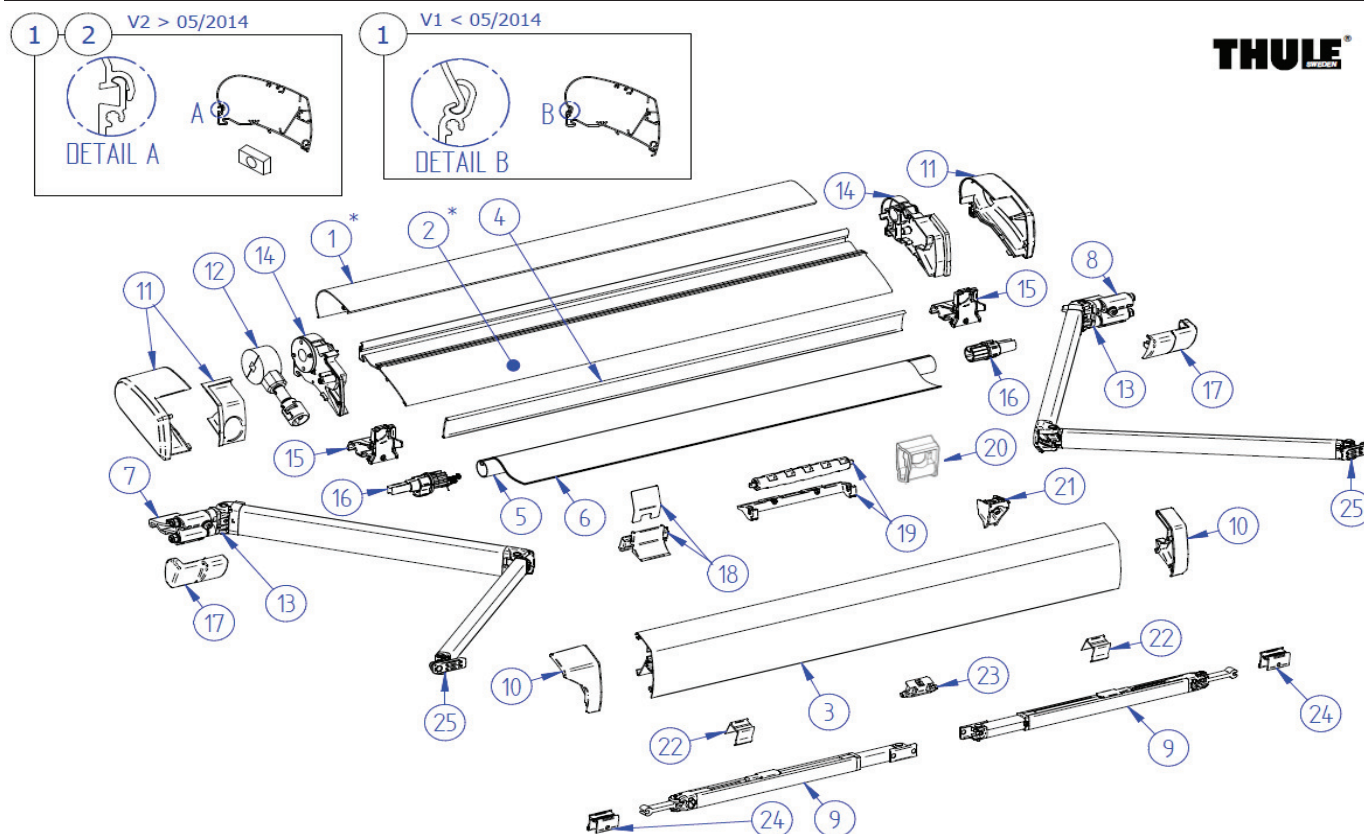


# 2017 SPARE PARTS LIST

## 6200

**THULE**  
SWEDEN

6VA602-03



THULE Omnistor 6200

6VA602-04

	ART.NR.	DESCRIPTION	RETAIL € (ex.VAT)
1-V1	1500602504	COVER HOUSING 6200 2,60M WHITE V1	95,80
	1500602505	COVER HOUSING 6200 3,00M WHITE V1	110,40
	1500602506	COVER HOUSING 6200 3,25M WHITE V1	128,60
	1500602507	COVER HOUSING 6200 3,50M WHITE V1	128,60
	1500602508	COVER HOUSING 6200 3,75M WHITE V1	148,20
	1500602509	COVER HOUSING 6200 4,00M WHITE V1	148,20
	1500602510	COVER HOUSING 6200 4,50M WHITE V1	173,40
	1500602511	COVER HOUSING 6200 2,60M ANO V1	95,80
	1500602512	COVER HOUSING 6200 3,00M ANO V1	110,40
	1500602513	COVER HOUSING 6200 3,25M ANO V1	128,60
	1500602514	COVER HOUSING 6200 3,50M ANO V1	128,60
	1500602515	COVER HOUSING 6200 3,75M ANO V1	148,20
	1500602516	COVER HOUSING 6200 4,00M ANO V1	148,20
	1500602517	COVER HOUSING 6200 4,50M ANO V1	173,40
	1500602518	COVER HOUSING 6200 3,25M ANTHR. V1	148,20
	1500602519	COVER HOUSING 6200 3,50M ANTHR. V1	148,20
	1500602520	COVER HOUSING 6200 3,75M ANTHR. V1	173,40
1500602521	COVER HOUSING 6200 4,00M ANTHR. V1	173,40	
1-V2	1500602832	COVER HOUSING 6200 2,60M WHITE V2	95,80
	1500602833	COVER HOUSING 6200 3,00M WHITE V2	110,40
	1500602834	COVER HOUSING 6200 3,25M WHITE V2	128,60
	1500602835	COVER HOUSING 6200 3,50M WHITE V2	128,60
	1500602836	COVER HOUSING 6200 3,75M WHITE V2	148,20
	1500602837	COVER HOUSING 6200 4,00M WHITE V2	148,20
	1500602838	COVER HOUSING 6200 4,25M WHITE V2	173,40
	1500602839	COVER HOUSING 6200 4,50M WHITE V2	173,40
	1500602865	COVER HOUSING 6200 5,00M WHITE V2	198,80
	1500602862	COVER HOUSING 6200 2,60M ANO V2	95,80
	1500602863	COVER HOUSING 6200 3,00M ANO V2	110,40
	1500602840	COVER HOUSING 6200 3,25M ANO V2	128,60
	1500602841	COVER HOUSING 6200 3,50M ANO V2	128,60
1500602842	COVER HOUSING 6200 3,75M ANO V2	148,20	

# 2017 SPARE PARTS LIST



6200

6VA602-03

	1500602843	COVER HOUSING 6200 4,00M ANO V2	148,20
	1500602844	COVER HOUSING 6200 4,50M ANO V2	173,40
	1500602845	COVER HOUSING 6200 2,60M ANTHR. V2	128,60
	1500602846	COVER HOUSING 6200 3,00M ANTHR. V2	128,60
	1500602847	COVER HOUSING 6200 3,25M ANTHR. V2	148,20
	1500602848	COVER HOUSING 6200 3,50M ANTHR. V2	148,20
	1500602849	COVER HOUSING 6200 3,75M ANTHR. V2	173,40
	1500602850	COVER HOUSING 6200 4,00M ANTHR. V2	173,40
2	1500602851	BACK HOUSING 6200 2,60M V2	122,00
	1500602852	BACK HOUSING 6200 3,00M V2	143,20
	1500602853	BACK HOUSING 6200 3,25M V2	164,20
	1500602854	BACK HOUSING 6200 3,50M V2	164,20
	1500602855	BACK HOUSING 6200 3,75M V2	184,80
	1500602856	BACK HOUSING 6200 4,00M V2	184,80
	1500602857	BACK HOUSING 6200 4,25M V2	200,20
	1500602858	BACK HOUSING 6200 4,50M V2	200,20
	1500602866	BACK HOUSING 6200 5,00M V2	215,80
3	1500602529	LEAD RAIL 6200 2,60M WHITE	117,20
	1500602530	LEAD RAIL 6200 3,00M WHITE	135,00
	1500602531	LEAD RAIL 6200 3,25M WHITE	157,80
	1500602532	LEAD RAIL 6200 3,50M WHITE	157,80
	1500602533	LEAD RAIL 6200 3,75M WHITE	182,00
	1500602534	LEAD RAIL 6200 4,00M WHITE	182,00
	1500602859	LEAD RAIL 6200 4,25M WHITE	198,60
	1500602535	LEAD RAIL 6200 4,50M WHITE	198,60
	1500602867	LEAD RAIL 6200 5,00M WHITE	215,40
	1500602538	LEAD RAIL 6200 3,25M ANO	157,80
	1500602539	LEAD RAIL 6200 3,50M ANO	157,80
	1500602540	LEAD RAIL 6200 3,75M ANO	182,00
	1500602541	LEAD RAIL 6200 4,00M ANO	182,00
	1500602542	LEAD RAIL 6200 4,50M ANO	198,60
	1500602860	LEAD RAIL 6200 2,60M ANTHR.	135,00
	1500602861	LEAD RAIL 6200 3,00M ANTHR.	135,00
	1500602543	LEAD RAIL 6200 3,25M ANTHR.	182,00
	1500602544	LEAD RAIL 6200 3,50M ANTHR.	182,00
	1500602545	LEAD RAIL 6200 3,75M ANTHR.	198,60
	1500602546	LEAD RAIL 6200 4,00M ANTHR.	198,60
4	1500602547	SUPPORT ROLLER TUBE 6200 2,60M	16,20
	1500602548	SUPPORT ROLLER TUBE 6200 3,00M	18,20
	1500602549	SUPPORT ROLLER TUBE 6200 3,25M	20,40
	1500602550	SUPPORT ROLLER TUBE 6200 3,50M	22,80
	1500602551	SUPPORT ROLLER TUBE 6200 3,75M	25,20
	1500602552	SUPPORT ROLLER TUBE 6200 4,00M	27,20
	1500602868	SUPPORT ROLLER TUBE 6200 4,25M	32,00
	1500602553	SUPPORT ROLLER TUBE 6200 4,50M	32,00
	1500602869	SUPPORT ROLLER TUBE 6200 5,00M	36,40
5	1500602554	ROLLER TUBE D=30 / 6200 2,60M	45,20
	1500602555	ROLLER TUBE D=30 / 6200 3,00M	51,60
	1500602556	ROLLER TUBE D=30 / 6200 3,25M	58,80
	1500602557	ROLLER TUBE D=30 / 6200 3,50M	58,80
	1500602558	ROLLER TUBE D=30 / 6200 3,75M	65,80
	1500602559	ROLLER TUBE D=30 / 6200 4,00M	65,80
	1500602870	ROLLER TUBE D=30 / 6200 4,25M	73,00
	1500602560	ROLLER TUBE D=30 / 6200 4,50M	73,00
	1500602871	ROLLER TUBE D=30 / 6200 5,00M	80,20
6	1500602561	FABRIC 2,60M 6200 03	198,00
	1500602562	FABRIC 2,60M 6200 04	198,00
	1500602563	FABRIC 2,60M 6200 22	198,00
	1500602564	FABRIC 2,60M 6200 31	198,00
	1500602565	FABRIC 2,60M 6200 32	198,00
	1500602566	FABRIC 3,00M 6200 03	220,20
	1500602567	FABRIC 3,00M 6200 04	220,20

# 2017 SPARE PARTS LIST

6200



6VA602-03

	1500602568	FABRIC 3,00M 6200 22	220,20
	1500602569	FABRIC 3,00M 6200 31	220,20
	1500602570	FABRIC 3,00M 6200 32	220,20
	1500602571	FABRIC 3,25M 6200 03	244,80
	1500602572	FABRIC 3,25M 6200 04	244,80
	1500602573	FABRIC 3,25M 6200 22	244,80
	1500602574	FABRIC 3,25M 6200 31	244,80
	1500602575	FABRIC 3,25M 6200 32	244,80
	1500602576	FABRIC 3,50M 6200 03	244,80
	1500602577	FABRIC 3,50M 6200 04	244,80
	1500602578	FABRIC 3,50M 6200 22	244,80
	1500602579	FABRIC 3,50M 6200 31	244,80
	1500602580	FABRIC 3,50M 6200 32	244,80
	1500602581	FABRIC 3,75M 6200 03	269,60
	1500602582	FABRIC 3,75M 6200 04	269,60
	1500602583	FABRIC 3,75M 6200 22	269,60
	1500602584	FABRIC 3,75M 6200 31	269,60
	1500602585	FABRIC 3,75M 6200 32	269,60
	1500602586	FABRIC 4,00M 6200 03	269,60
	1500602587	FABRIC 4,00M 6200 04	269,60
	1500602588	FABRIC 4,00M 6200 22	269,60
	1500602589	FABRIC 4,00M 6200 31	269,60
	1500602590	FABRIC 4,00M 6200 32	269,60
	1500602872	FABRIC 4,25M 6200 03	290,80
	1500602873	FABRIC 4,25M 6200 04	290,80
	1500602874	FABRIC 4,25M 6200 22	290,80
	1500602875	FABRIC 4,25M 6200 31	290,80
	1500602876	FABRIC 4,25M 6200 32	290,80
	1500602591	FABRIC 4,50M 6200 03	290,80
	1500602592	FABRIC 4,50M 6200 04	290,80
	1500602593	FABRIC 4,50M 6200 22	290,80
	1500602594	FABRIC 4,50M 6200 31	290,80
	1500602595	FABRIC 4,50M 6200 32	290,80
	1500602877	FABRIC 5,00M 6200 31	312,00
7	1500602596	L.H. SPRING ARM 6200 2,60M	141,00
	1500602597	L.H. SPRING ARM 6200 3,0/4,5M	147,00
8	1500602598	R.H. SPRING ARM 6200 2,60M	141,00
	1500602599	R.H. SPRING ARM 6200 3,0/4,5M	147,00
9	1500601960	SUPPORT ARM V2 2.60M XL	68,80
	1500601611	SUPPORT ARM V2 3.00-3,25M	62,40
	1500601612	SUPPORT ARM V2 3.50-4.50M	62,40
10	1500602600	LH+RH ENDCAP LEADRAIL 6200 WHITE	11,60
	1500602601	LH+RH ENDCAP LEADRAIL 6200 ANO	11,60
	1500602602	LH+RH ENDCAP LEADRAIL 6200 ANTHR.	11,60
11	1500602603	LH+RH ENDCAP MAINHOUSING 6200 WHITE	16,20
	1500602604	LH+RH ENDCAP MAINHOUSING 6200 ANO	16,20
	1500602605	LH+RH ENDCAP MAINHOUSING 6200 ANTHR	16,20
12	1500602606	GEAR ASSY+COUPL.FUNN 6200	45,20
13	1500602811	ROTATION PLATE 4900 / 6200	19,80
14	1500602607	LH+RH ENDPLATE ASSY 6200 WHITE	22,80
	1500602608	LH+RH ENDPLATE ASSY 6200 ANO	22,80
	1500602609	LH+RH ENDPLATE ASSY 6200 ANTHR	22,80
15	1500602610	HOUSING CON.PCE TENSION RAFTER 6200	7,00
16	1500602611	LH + RH ENDCAP ROLLER TUBE 6200	11,00
17	1500602612	LH + RH COVER SUPPORT SPRING ARM 6200	8,60
18	1500602613	SPRING & SUPPORT 6200	9,20
19	1500602614	CENTER SUPPORT ROLLER TUBE 6200	22,80
20	1500603112	POSIT. BLOCK + TENS. RAFTER HOUSING 6200 1+1PC	8,40
21	1500602616	INSERT LEAD RAIL 6200 2PC	7,00
22	1500602502	ANTI RATTLING SUPPORT ARM 6200/9200	7,00
23	1500601789	CENTRAL CLAMP SUPPORT ARM V2	3,20
24	1500601602	LH & RH CONNECTION SUPPORT ARM	3,80

**2017 SPARE PARTS LIST**

6200

6VA602-03

25	1500602374	LH+RH CONN.LEAD RAIL 6200	13,80
	1500602753	LH+RH STOP SPRING ARM 6200	25,40
26	1500602719	ADDITIONAL ROOF ADAPTER MOUNTING RAIL	44,00
	1500602720	ADDITIONAL ROOF ADAPTER FENDT BRILJANT	54,80
	1500602721	ADDITIONAL ROOF ADAPTER DUCATO >2007	44,00
	1500602722	ADDITIONAL ROOF ADAPTER MASTER >2011	44,00
	1500602723	ADDITIONAL ROOF ADAPTER SPRINTER	44,00