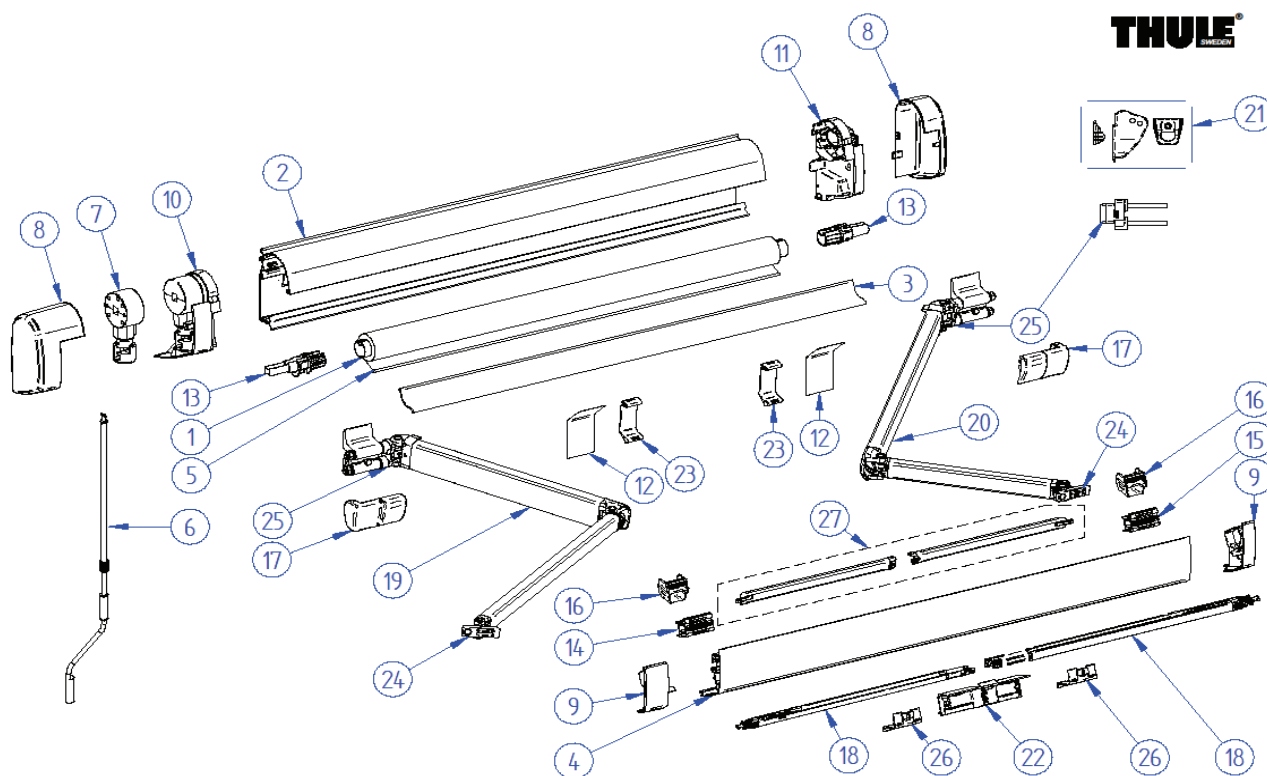


2017 SPARE PARTS LIST
5200

THULE
SWEDEN

5AT601-01



THULE Omnistor 5200

5AT601-01

	ART.NR.	DESCRIPTION	RETAIL € (ex.VAT)
1	1500602989	ROLLER TUBE D=30X0.8MM / 5200-1.90M	40,80
	1500602990	ROLLER TUBE D=30X0.8MM / 5200-2,30M	43,00
	1500602658	ROLLER TUBE D=30X0.8MM / 5200-2,60M	46,60
	1500602186	ROLLER TUBE D=30X0.8MM / 5200-3,00M	51,60
	1500602187	ROLLER TUBE D=30X0.8MM / 5200-3,50M	58,80
	1500602188	ROLLER TUBE D=30X0.8MM / 5200-4,00M	65,80
	1500602189	ROLLER TUBE D=30X0.8MM / 5200-4,50M	73,00
	1500602991	ROLLER TUBE D=30X0.8MM / 5200-5,00M	80,20
	2	1500602992	MAIN HOUSING 5200 1.90M
1500602993		MAIN HOUSING 5200 2.30M	131,00
1500602994		MAIN HOUSING 5200 2.60M	145,80
1500602995		MAIN HOUSING 5200 3.00M	168,20
1500602996		MAIN HOUSING 5200 3.50M	197,00
1500602997		MAIN HOUSING 5200 4.00M	226,40
1500602998		MAIN HOUSING 5200 4.50M	254,80
1500602999		MAIN HOUSING 5200 5.00M	283,20
1500603000		MAIN HOUSING 5200 ANO 1.90M	110,40
1500603001		MAIN HOUSING 5200 ANO 2.30M	131,00
1500603002		MAIN HOUSING 5200 ANO 2.60M	145,80
1500603003		MAIN HOUSING 5200 ANO 3.00M	168,20
1500603004		MAIN HOUSING 5200 ANO 3.50M	197,00
1500603005		MAIN HOUSING 5200 ANO 4.00M	226,40
1500603006		MAIN HOUSING 5200 ANO 4.50M	254,80
1500603007		MAIN HOUSING 5200 ANO 5.00M	283,20
1500603008		MAIN HOUSING 5200 ANTHR. 2.60M	168,20
1500603009		MAIN HOUSING 5200 ANTHR. 3.00M	168,20
1500603010		MAIN HOUSING 5200 ANTHR. 3.50M	197,00
1500603011	MAIN HOUSING 5200 ANTHR. 4.00M	226,40	
1500603093	MAIN HOUSING 5200 ANTHR. 4.50M	254,80	
3	1500602665	SUPPORT ROLLER TUBE 5200 2M60	16,40
	1500602284	SUPPORT ROLLER TUBE 5200 3M00	17,20
	1500602285	SUPPORT ROLLER TUBE 5200 3M50	19,00

2017 SPARE PARTS LIST



5200

5AT601-01

	1500602221	SUPPORT ROLLER TUBE 5200 4M00	21,00
	1500602222	SUPPORT ROLLER TUBE 5200 4M50	22,60
	1500603014	SUPPORT ROLLER TUBE 5200 5M00	25,60
4	1500603015	LEAD RAIL 5200 1.90M	101,00
	1500603016	LEAD RAIL 5200 2.30M	117,20
	1500603017	LEAD RAIL 5200 2.60M	117,20
	1500603018	LEAD RAIL 5200 3.00M	135,00
	1500603019	LEAD RAIL 5200 3.50M	157,80
	1500603020	LEAD RAIL 5200 4.00M	182,00
	1500603021	LEAD RAIL 5200 4.50M	198,60
	1500603022	LEAD RAIL 5200 5.00M	215,40
	1500603023	LEAD RAIL 5200 ANO 1.90M	101,00
	1500603024	LEAD RAIL 5200 ANO 2.30M	117,20
	1500603025	LEAD RAIL 5200 ANO 2.60M	117,20
	1500603026	LEAD RAIL 5200 ANO 3.00M	135,00
	1500603027	LEAD RAIL 5200 ANO 3.50M	157,80
	1500603028	LEAD RAIL 5200 ANO 4.00M	182,00
	1500603029	LEAD RAIL 5200 ANO 4.50M	198,60
	1500603030	LEAD RAIL 5200 ANO 5.00M	215,40
	1500603031	LEAD RAIL 5200 ANTHR. 2.60M	117,20
	1500603032	LEAD RAIL 5200 ANTHR. 3.00M	135,00
	1500603033	LEAD RAIL 5200 ANTHR. 3.50M	157,80
	1500603034	LEAD RAIL 5200 ANTHR. 4.00M	182,00
	1500603094	LEAD RAIL 5200 ANTHR. 4.50M	198,60
5	1500603035	FABRIC 1.90M 5200 03 BL SK	126,40
	1500603036	FABRIC 1.90M 5200 04 AL GR	126,40
	1500603037	FABRIC 1.90M 5200 22 RAL 9002	126,40
	1500603038	FABRIC 1.90M 5200 31 MY GR	126,40
	1500603039	FABRIC 1.90M 5200 32 SA BL	126,40
	1500603040	FABRIC 2.30M 5200 03 BL SK	175,80
	1500603041	FABRIC 2.30M 5200 04 AL GR	175,80
	1500603042	FABRIC 2.30M 5200 22 RAL 9002	175,80
	1500603043	FABRIC 2.30M 5200 31 MY GR	175,80
	1500603044	FABRIC 2.30M 5200 32 SA BL	175,80
	1500603045	FABRIC 2.60M 5200 03 BL SK	198,00
	1500603046	FABRIC 2.60M 5200 04 AL GR	198,00
	1500603047	FABRIC 2.60M 5200 22 RAL9002	198,00
	1500602663	FABRIC 2.60M 5200 31 MY GR	198,00
	1500602664	FABRIC 2.60M 5200 32 SA BL	198,00
	1500603048	FABRIC 3.00M 5200 03 BL SK	220,20
	1500603049	FABRIC 3.00M 5200 04 AL GR	220,20
	1500603050	FABRIC 3.00M 5200 22 RAL9002	220,20
	1500602202	FABRIC 3.00M 5200 31 MY GR	220,20
	1500602203	FABRIC 3.00M 5200 32 SA BL	220,20
	1500603051	FABRIC 3.50M 5200 03 BL SK	244,80
	1500603052	FABRIC 3.50M 5200 04 AL GR	244,80
	1500603053	FABRIC 3.50M 5200 22 RAL9002	244,80
	1500602204	FABRIC 3.50M 5200 31 MY GR	244,80
	1500602205	FABRIC 3.50M 5200 32 SA BL	244,80
	1500603054	FABRIC 4.00M 5200 03 BL SK	269,60
	1500603055	FABRIC 4.00M 5200 04 AL GR	269,60
	1500603056	FABRIC 4.00M 5200 22 RAL 9002	269,60
	1500602206	FABRIC 4.00M 5200 31 MY GR	269,60
	1500602207	FABRID 4.00M 5200 32 SA BL	269,60
	1500603057	FABRIC 4.50M 5200 03 BL SK	290,80
	1500603058	FABRIC 4.50M 5200 04 AL GR	290,80

2017 SPARE PARTS LIST

5200

THULE
SWEDEN

5AT601-01

	1500603059	FABRIC 4.50M 5200 22 RAL 9002	290,80
	1500602208	FABRIC 4.50M 5200 31 MY GR	290,80
	1500602209	FABRIC 4.50M 5200 32 SA BL	290,80
	1500603060	FABRIC 5.00M 5200 03 BL SK	312,00
	1500603061	FABRIC 5.00M 5200 04 AL GR	312,00
	1500603062	FABRIC 5.00M 5200 22 RAL 9002	312,00
	1500603063	FABRIC 5.00M 5200 31 MY GR	312,00
	1500603064	FABRID 5.00M 5200 32 SA BL	312,00
6	1500602210	HAND CRANK ASSY SHORT	39,60
7	1500601221	GEAR ASSY+COUPL.FUNNEL	42,80
8	1500603065	LH+RH ENDCAP MAINHOUSING 5200	16,20
	1500603066	LH + RH ENDC MAINHOUS 5200 ANO	16,20
	1500603067	LH + RH ENDC MAINHOUS 5200 ANTHR.	16,20
9	1500603068	LH+RH ENDCAP LEADRAIL 5200	11,60
	1500603069	LH+RH ENDCAP LEADRAIL 5200 ANO	11,60
	1500603070	LH+RH ENDCAP LEADRAIL 5200 ANTHR.	11,60
10	1500603071	LH ENDPLATE ASSY 5200 WH	32,40
	1500603095	LH ENDPLATE ASSY 5200 ANO	32,40
	1500603097	LH ENDPLATE ASSY 5200 ANTR	32,40
11	1500603072	RH ENDPLATE ASSY 5200 WH	12,20
	1500603096	RH ENDPLATE ASSY 5200 ANO	12,20
	1500603098	RH ENDPLATE ASSY 5200 ANTR	12,20
12	1500603073	SPRING SUPPORT ROLLER TUBE 5200	6,60
13	1500602219	LH + RH ENDCAP ROLLER TUBE 5200	10,80
14	1500603074	LH CONN SUPPORT ARM 5200	13,20
15	1500603075	RH CONN SUPPORT ARM 5200	13,20
16	1500603076	INSERT LEAD RAIL 5200 2PC	7,00
17	1500602235	LH + RH COVER SPRING ARM BR.	6,00
18	1500603077	SUPPORT ARM 5200 1.90M	68,80
	1500603078	SUPPORT ARM 5200 2.30M	68,80
	1500603079	SUPPORT ARM 5200 2.60M XL	68,80
	1500603080	SUPPORT ARM 5200 3.00M	62,40
	1500603081	SUPPORT ARM 5200 3.50-5.00M	68,80
19	1500603082	L.H. SPRING ARM COMPL. 5200 - 1,90M	130,20
	1500603083	L.H. SPRING ARM COMPL. 5200 - 2,30M	138,60
	1500603084	L.H. SPRING ARM COMPL. 5200 - 2,60M	141,00
	1500603085	L.H. SPRING ARM COMPL. 5200 ≥3,00M	147,00
20	1500603086	R.H. SPRING ARM COMPL. 5200 - 1,90M	130,20
	1500603087	R.H. SPRING ARM COMPL. 5200 - 2,30M	138,60
	1500603088	R.H. SPRING ARM COMPL. 5200 - 2,60M	141,00
	1500603089	R.H. SPRING ARM COMPL. 5200 ≥3,00M	147,00
21	1500603099	POSIT. PIECE + TR HOLDER 5200	9,40
22	1500603090	CENTRAL CLAMP SUPPORT ARM 5200	9,80
23	1500602327	POSITIONER SPRING ARM - 2PC	7,00
24	1500603091	CONN LEAD RAIL 5200 - 2PC	15,80
25	1500602811	ROTATION PLATE 5200 / 6200	19,80
26	1500603092	CLIP SUPPORT ARM 5200 - 2PC	7,00
27	301295	INTEGRATED TENSION ARMS 5200	gen.price list