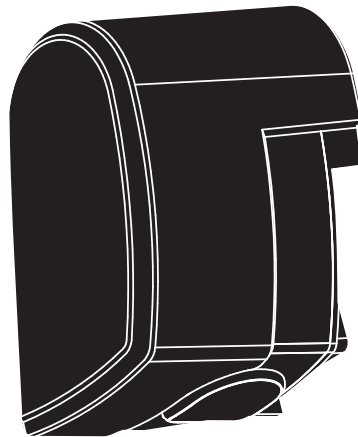


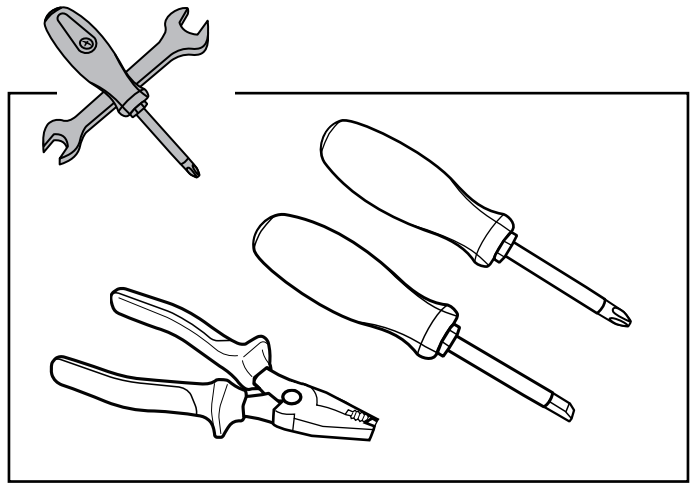
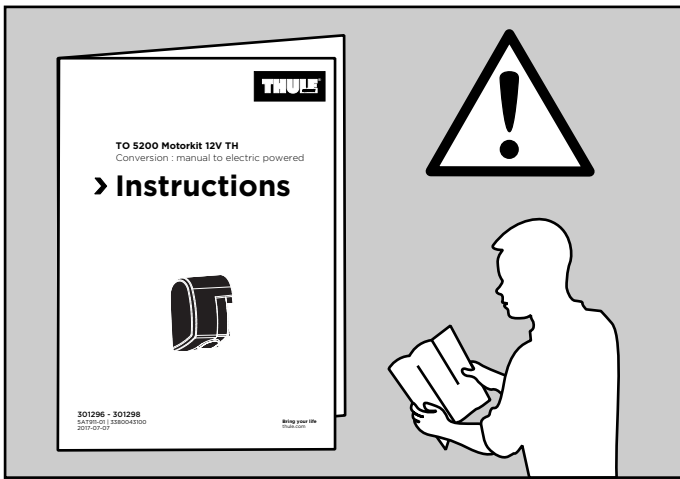


TO 5200 Motorkit 12V TH

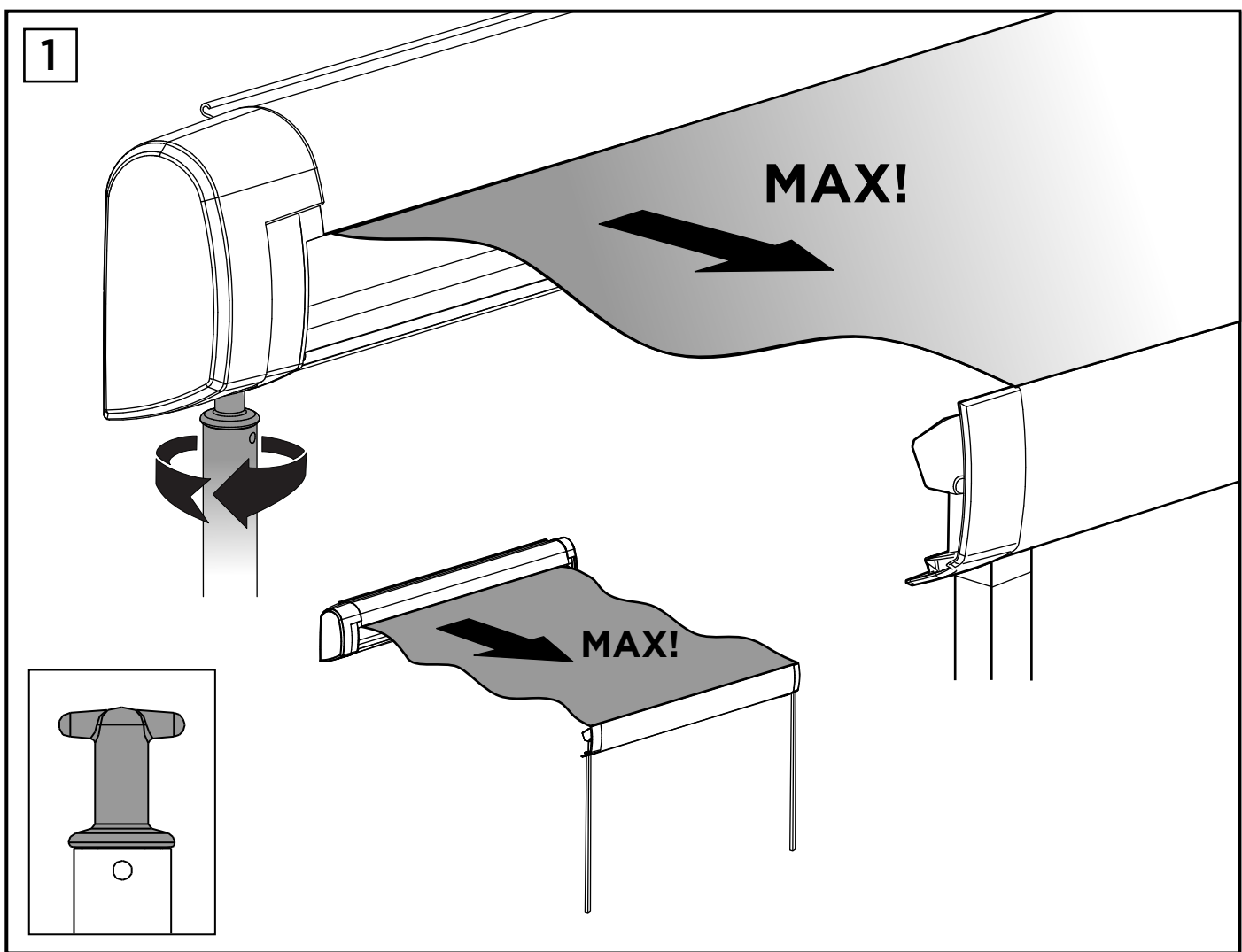
Conversion : manual to electric powered

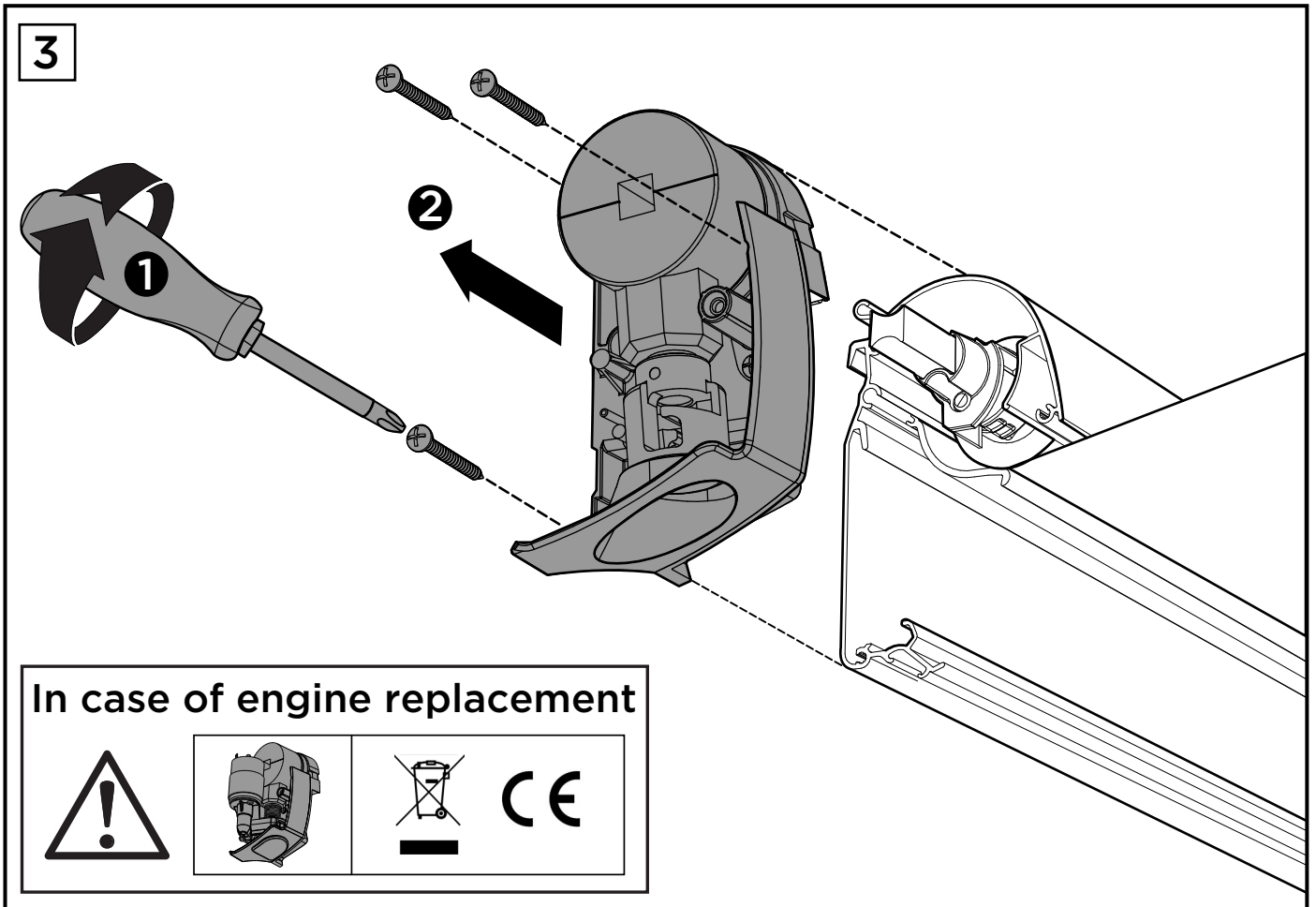
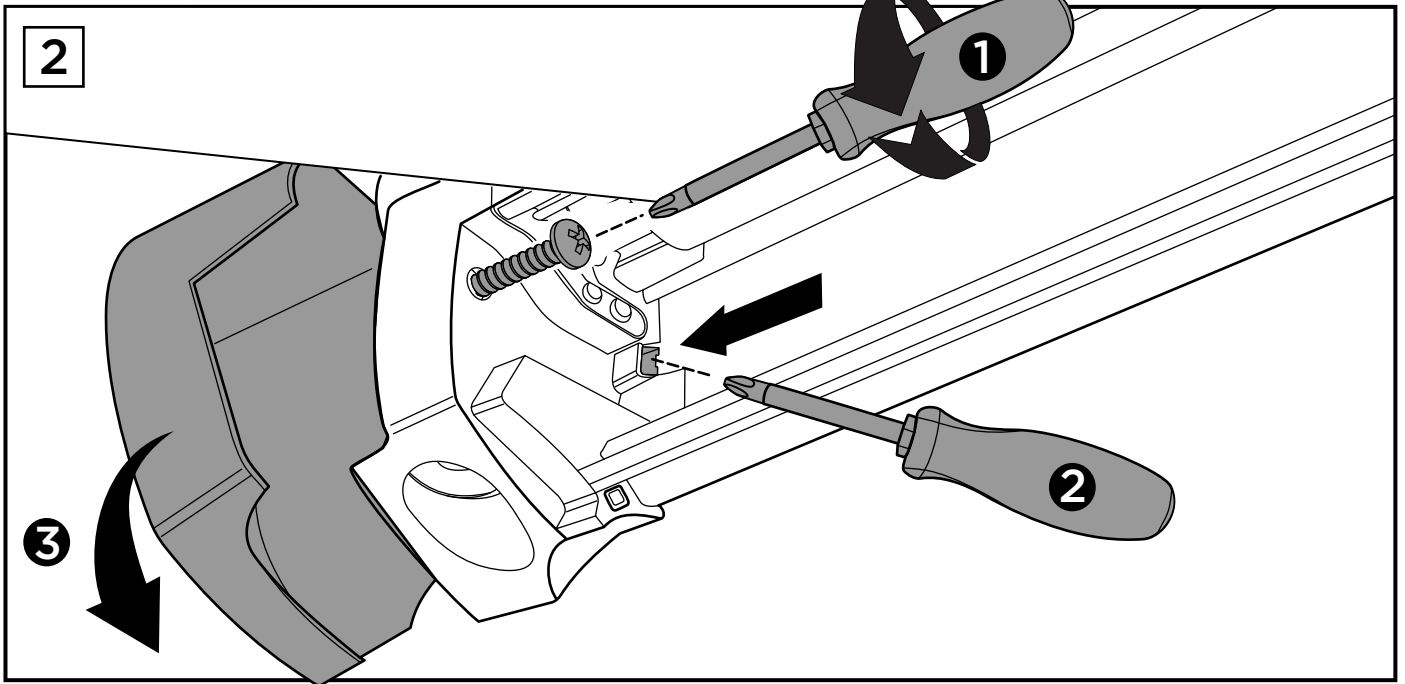
> Instructions



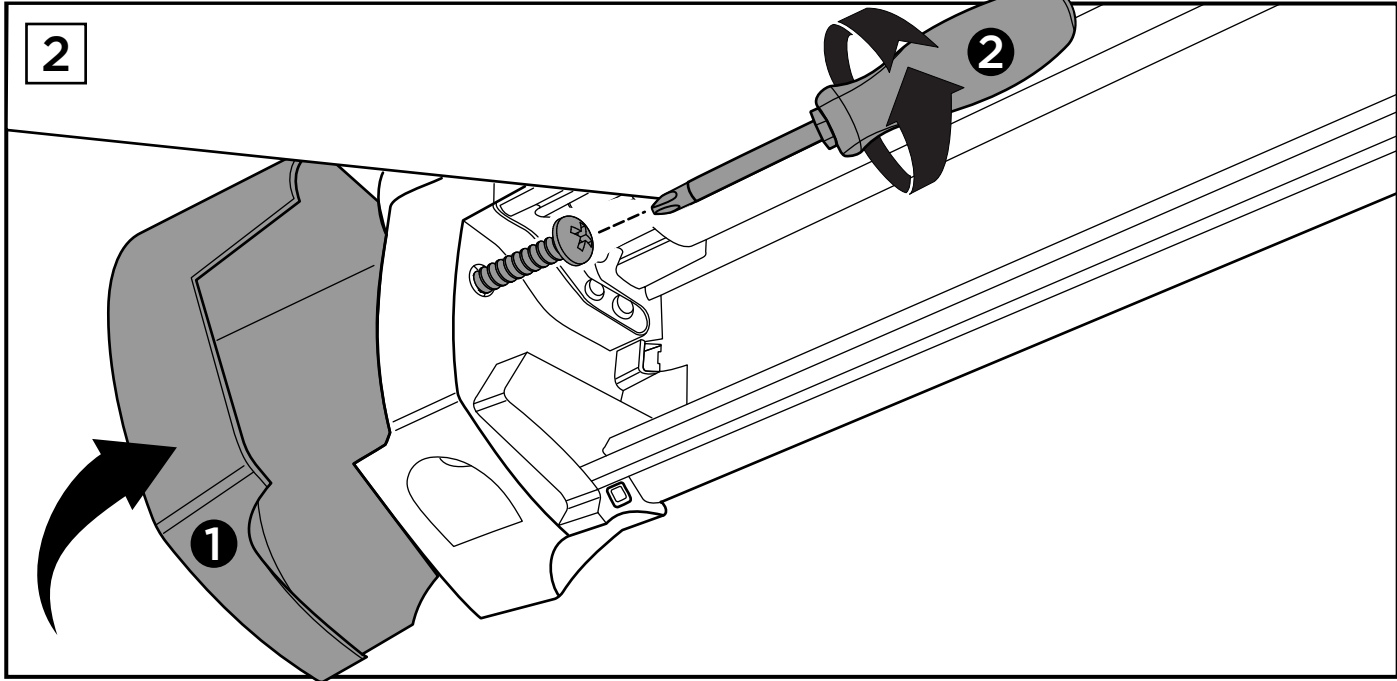
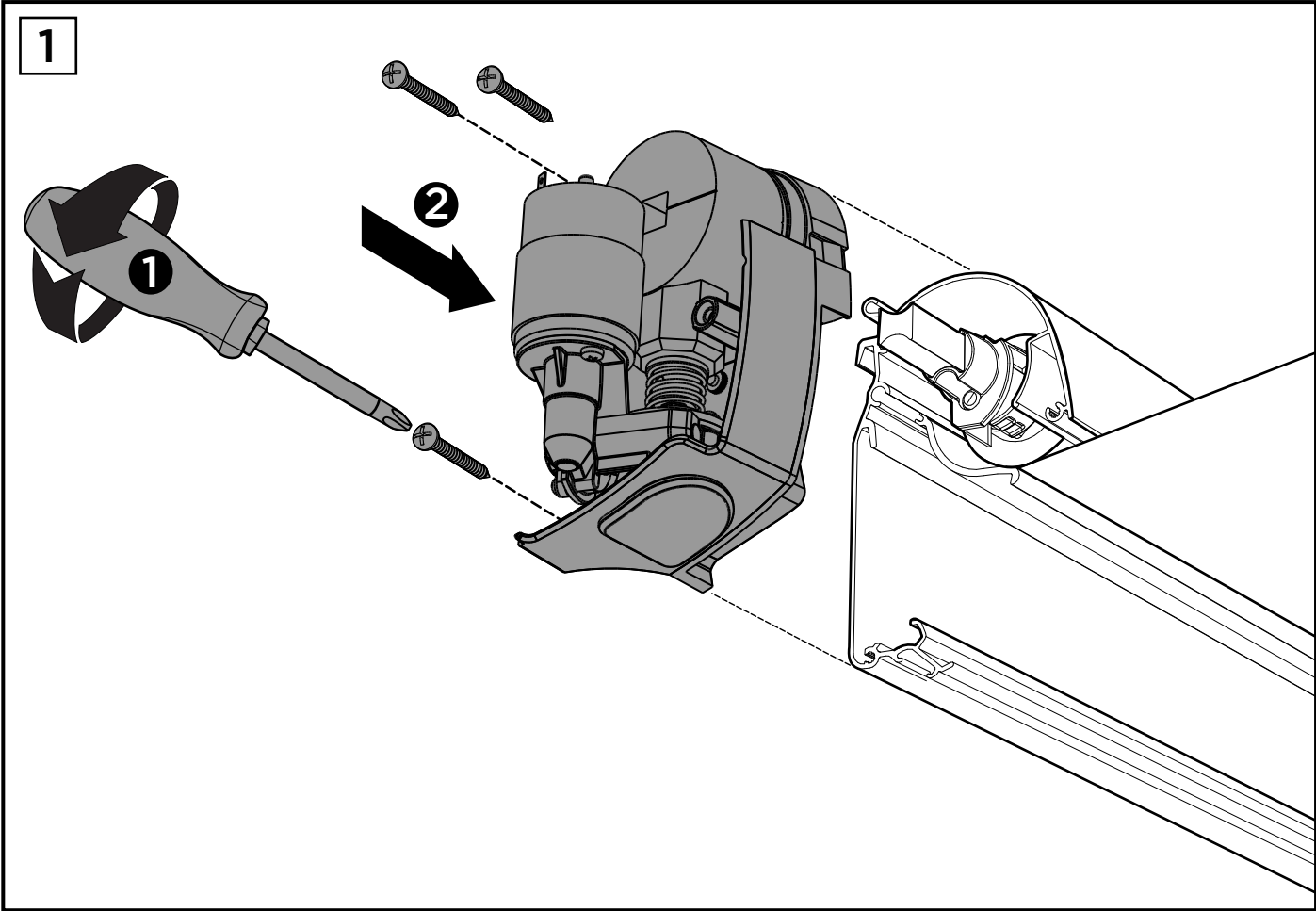


DISASSEMBLY



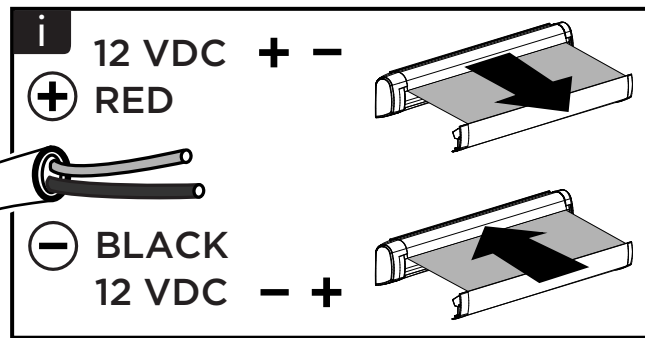
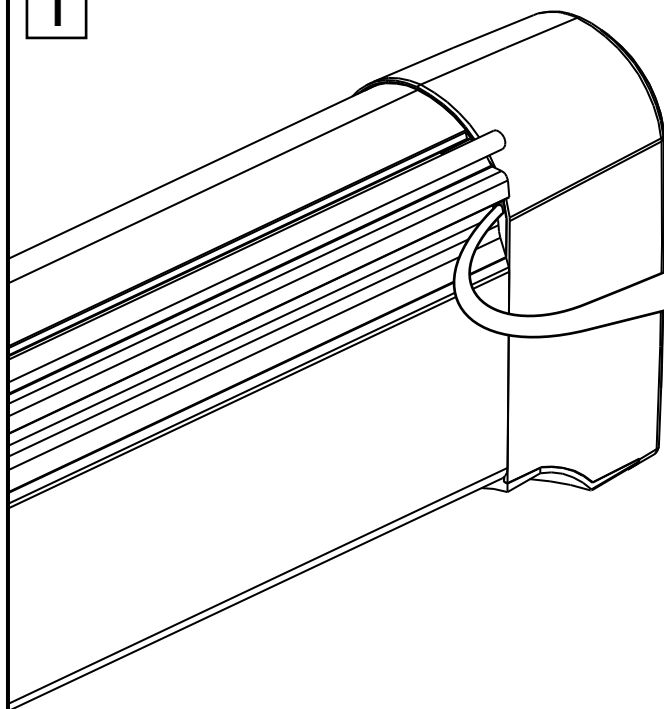



ASSEMBLY



ELECTRICAL WIRING

1



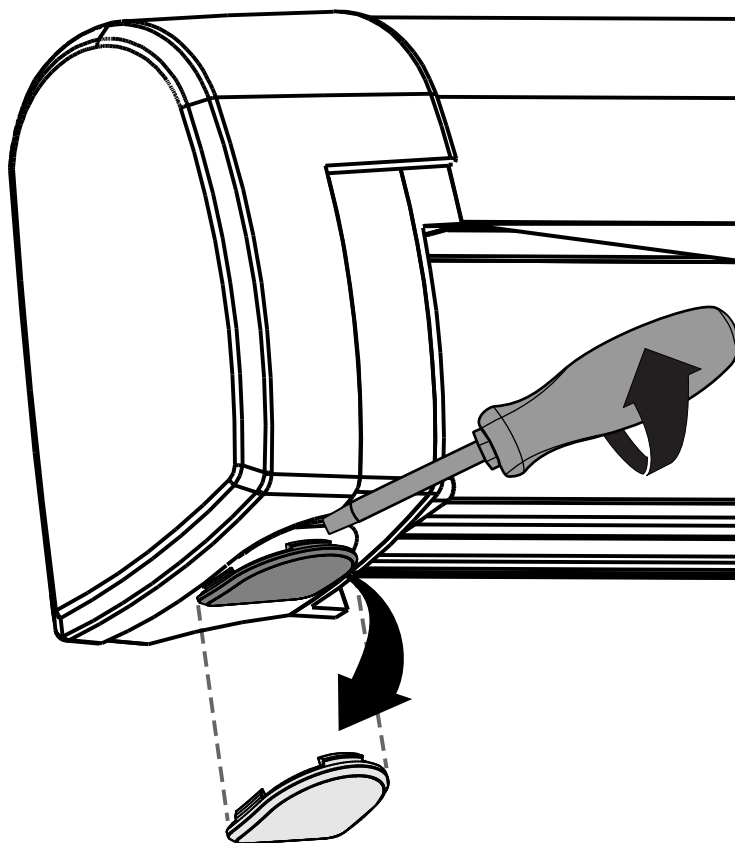
 U	12 VDC (minimum 11 VDC)
I _{peak}	20,5A
I _{nom}	6A _{in} / 3A _{out}



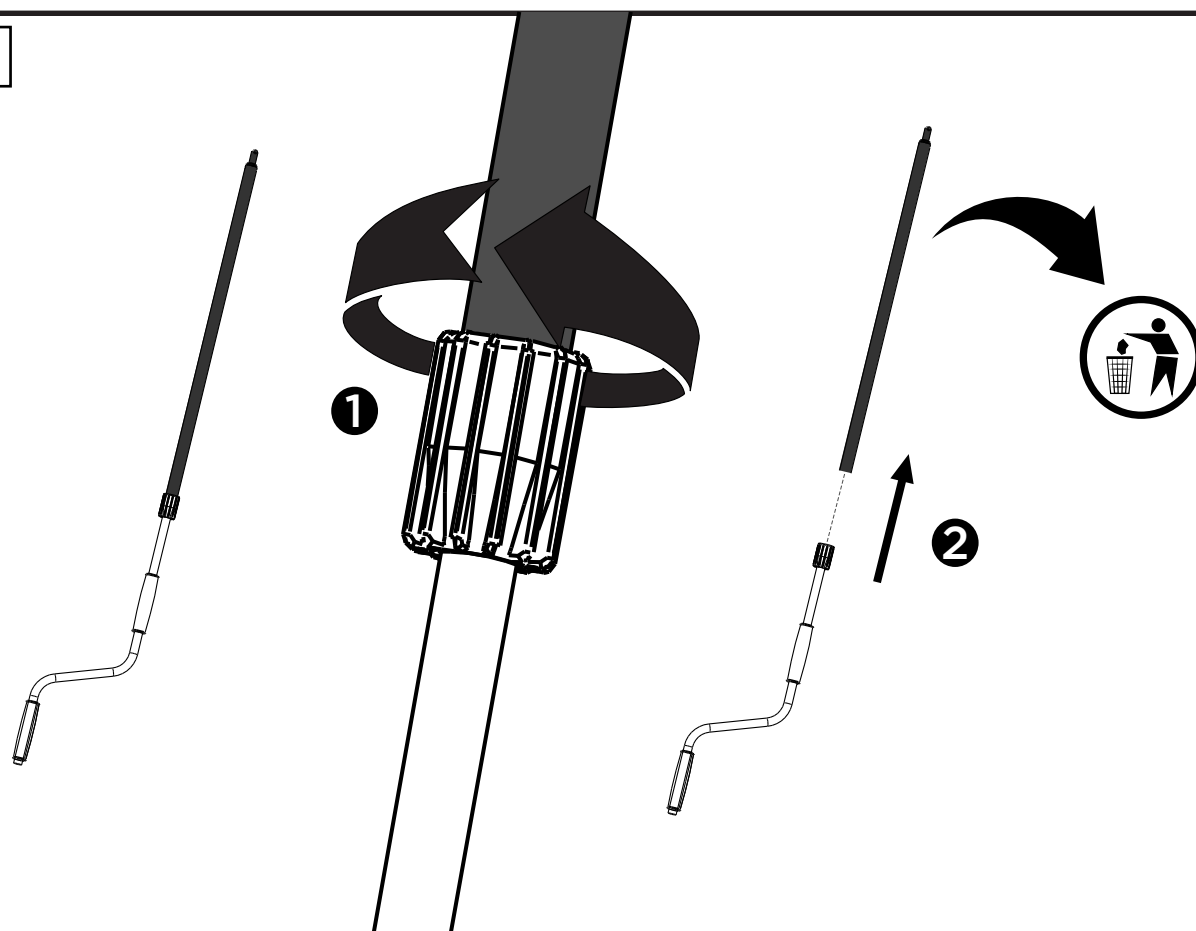
! Operation only by switch with momentary contact !

MANUAL OVERRIDE

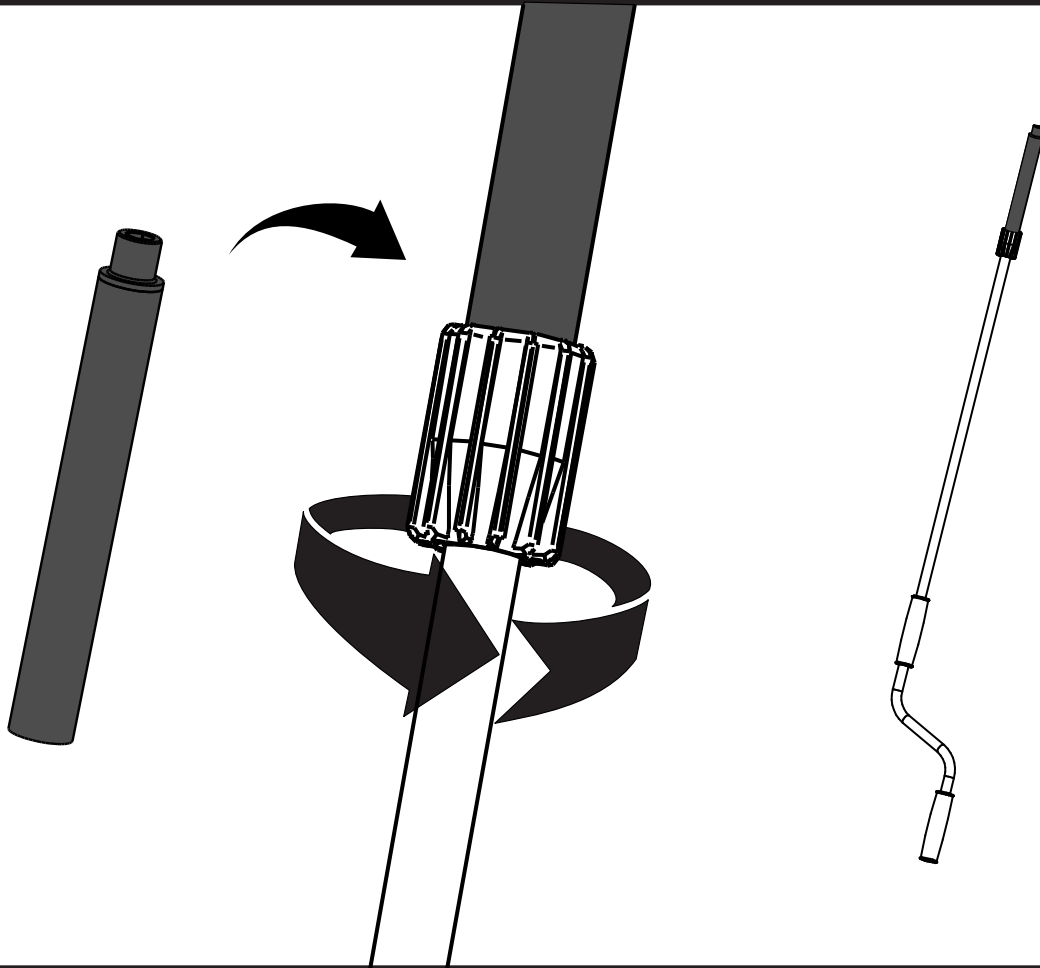
1



2



3



4

