



## Rail grab with safety lock model TCR

Capacity 1000 - 2000 kg

The TCR rail grab transports rails, as used by railways, easily and safely. A safe grip is ensured by the lever operated safety lock. For long rails, two grabs must be attached to a spreader beam to avoid sagging.

Since the rails are primarily grabbed with positive fit, it is important that the clamp stays in a vertical position during initial lift.

For rails with a larger head or sidings, please inquire about customized grabs.

A TCR multiple rail system is also available for the simultaneous transport of up to 12 rails.

**For special sizes please advise rail type and profile.**

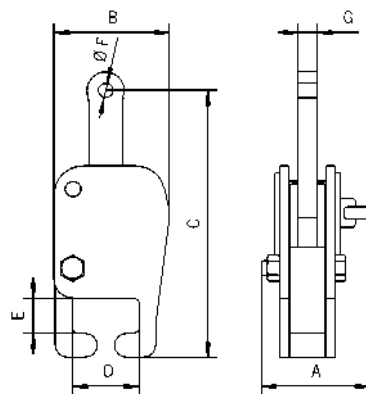
### Technical data model TCR

Model	EAN-No. 4025092*	Capacity kg	Weight kg
TCR 1.0	*550802	1000	12.4
TCR 2.0	*551076	2000	13.9

### Dimensions model TCR

Model	TCR 1.0	TCR 2.0
A*, mm	144	144
B, mm	152	163
C, mm	350	350
D, mm	90	90
E, mm	46	46
Ø F, mm	20	20
G, mm	25	25

\*Scissor dimensions



Model TCR

