

## Barrel clamp model TFK

Capacity 500 kg

Its light weight and small overall design makes it ideal for lifting barrels where access or space is limited.

The center of gravity of the barrel is the lifting point during transport.



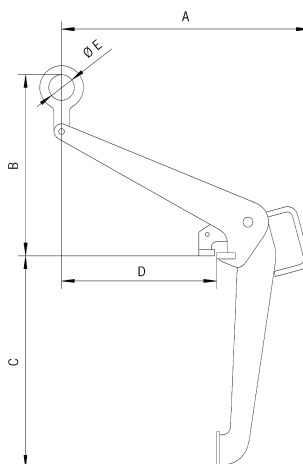
For barrels according to DIN 6643.

### Technical data model TFK

Model	EAN-No.	Capacity	Weight
TFK 0.5	4025092*	kg	kg
	*556071	500	7.3

### Dimensions model TFK

Model	TFK 0.5
A, mm	479
B, mm	350
C, mm	410
D, mm	300
Ø E, mm	50



Model TFK