

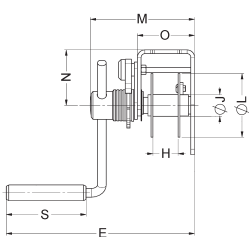
## Technical data model MWS

Model	EAN-No. 4025092* 4053981**	Capacity 1 <sup>st</sup> layer kg	Capacity top layer kg	Crank effort 1 <sup>st</sup> layer daN	Lift per crank rotation 1 <sup>st</sup> layer mm	Lift per crank rotation top layer mm	Weight without rope kg	Rope diameter mm	Useable rope length 1 <sup>st</sup> layer m	Useable rope length max. m	Number of layers max.
<b>MWS 150</b>	*635356	150	68	11	122	210	4	4 <sup>2</sup>	0.8	13	8
<b>MWS 300</b>	*635363	300	166	6	32	44	10	5 <sup>2</sup>	1.8	21	7
<b>MWS 600</b>	*635370	600	308	10	28	41	11	6 <sup>2</sup>	1.2	12	6
<b>MWS 1000</b>	**790718	1000	587	11	20	27	27	9 <sup>2</sup>	3.0	25	5
<b>MWS 1500</b>	**790732	1500	844	12	14	19	27.5	10 <sup>2</sup>	2.7	21	5

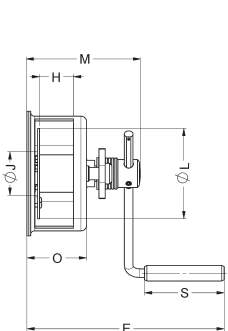
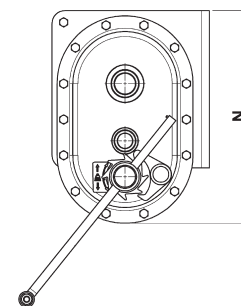
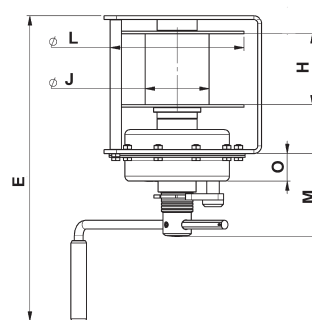
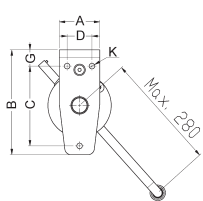
<sup>2</sup>recommended rope: DIN 3060 FE-znk 1770 sZ-spa

## Dimensions model MWS

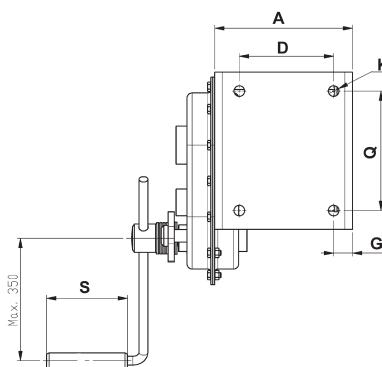
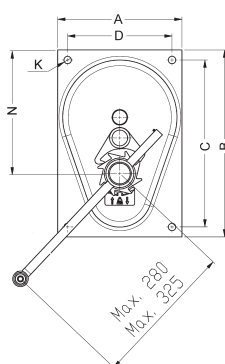
Model	MWS 150	MWS 300	MWS 600	MWS 1000	MWS 1500
A, mm	65	200	200	219	219
B, mm	168	300	300	250	250
C, mm	128	268	268	212	212
D, mm	40	168	168	150	150
E, mm	303	318	318	484	484
F, mm	-	-	-	250	250
G, mm	26	-	-	30	30
H, mm	41	55	55	113	113
I, mm	-	-	-	170	170
Ø J, mm	35	70	60	102	102
K, mm	9	12	12	17	17
Ø L, mm	102	145	145	212	212
M, mm	168	182	182	130	130
N, mm	89	199	199	338	338
O, mm	92	96	96	44	44
P, mm	-	-	-	104	104
Q, mm	-	-	-	190	190
S, mm	129	129	129	129	129



Model MWS, capacity 150 kg



Model MWS, capacity 300 - 600 kg



Model MWS, capacity 1000 - 1500 kg

