

Technical data model RPE

Model	EAN-No. 4025092*	Capacity	Lifting speed 1 st layer	Lifting speed top layer	Rope diameter	Motor	ED	Useable rope length 1 st layer	Useable rope length top layer	Weight without rope
		kg	m/min	m/min	mm	kW	%	m	m	kg
RPE 2-13	*071796	250	10.2	13.2	4	0.55	40	11.2	54.5	31.8
RPE 5-6	*071857	500	4.6	6.6	6	0.55	40	7.0	38.8	32.8
RPE 5-12	*071918	500	8.7	12.6	6	1.1	40	11.0	55.4	41.0
RPE 9-6	*071956	990	5.1	6.5	8	1.1	40	10.2	37.4	76.0
RPE 10-6 ¹	*072014	1000	5.1	6.5	8	1.1	40	10.2	37.4	76.9

¹With slip clutch

Plain drum (longer useable rope length)

Model	Capacity top layer kg	Drum size	Useable rope length max. m
RPE 2-13 L	250	2	80
RPE 5-6 L	500	2	58
RPE 9-6/10-6 L	990/1000	2	56
RPE 2-13 XL	250	3	200
RPE 5-6 XL	500	3	140
RPE 5-12 XL	500	3	140
RPE 9-6/10-6 XL	990/1000	3	100

Grooved drum (recommended for single layer operation)

Model	Capacity top layer kg	Drum size	Useable rope length 1 st layer m	Useable rope length max. m
RPE 2-13 R	250	1	8.8	43
RPE 5-6 R	500	1	6.2	33
RPE 9-6/10-6 R	990/1000	1	8.2	30
RPE 2-13 LR	250	2	13.3	64
RPE 5-6 LR	500	2	9.5	49
RPE 5-12 LR	500	2	9.5	49
RPE 9-6/10-6 LR	990/1000	2	12.9	47
RPE 2-13 XLR	250	3	35.3	165
RPE 5-6 XLR	500	3	25.7	128
RPE 5-12 XLR	500	3	25.7	128
RPE 9-6/10-6 XLR	990/1000	3	25.2	89



INFO

When selecting the length of the rope please bear in mind that a minimum of 2-3 windings have to remain on the drum.

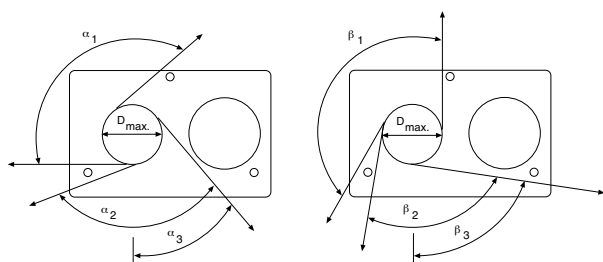
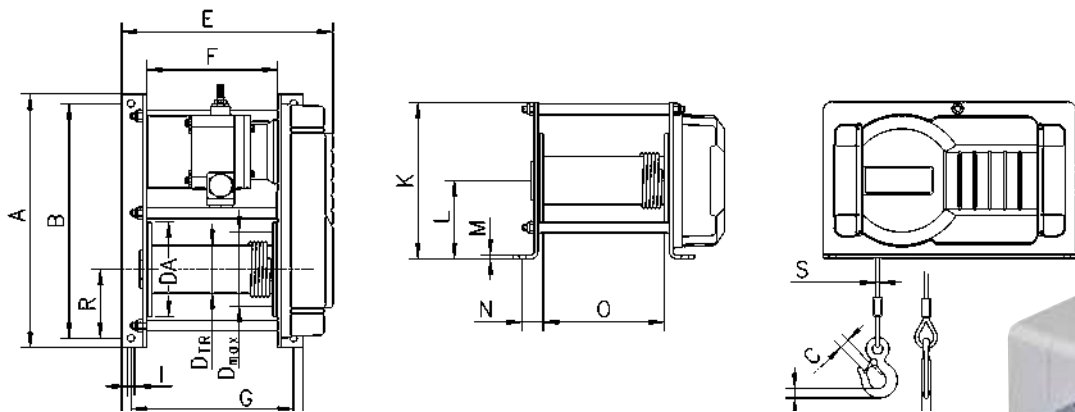
Yale hoists and trolleys are not designed for passenger elevation applications and must not be used for this purpose.

Winches with drums for longer useable rope lengths have partly other dimensions than those shown on page 95.

Dimensions model RPE (400V direct control, standard drum)

Model	RPE 2-13	RPE 5-6	RPE 5-12	RPE 9-6	RPE 10-6
A, mm	405	405	405	525	525
B, mm	375	375	375	485	485
C, mm	18	18	18	25	25
DTR, mm	76	76	76	108	108
Dmax, mm	104	118	118	148	148
DA, mm	150	150	150	180	180
E, mm	338	338	428	450	450
F, mm	210	210	300	270	270
G, mm	260	260	350	345	345
H, mm	290	290	380	380	380
I, mm	11	11	11	13	13
K, mm	250	250	250	340	340
L, mm	125	125	125	170	170
M, mm	6	6	6	10	10
N, mm	33	33	33	47.5	47.5
O, mm	194	194	284	250	250
P, mm	19	19	19	24	24
Q, mm	13	13	13	19	19
R, mm	125	125	125	170	170
S, mm	4	6	6	8	8
$\alpha 1, ^\circ$	130	130	130	145	145
$\alpha 2, ^\circ$	110	110	110	125	125
$\alpha 3, ^\circ$	40	40	40	50	50
$\beta 1, ^\circ$	150	150	150	155	155
$\beta 2, ^\circ$	90	90	90	100	100
$\beta 3, ^\circ$	80	80	80	83	83

Dimensions for s with optional features are available on request!



Rope lead-offs for electric winch RPE

