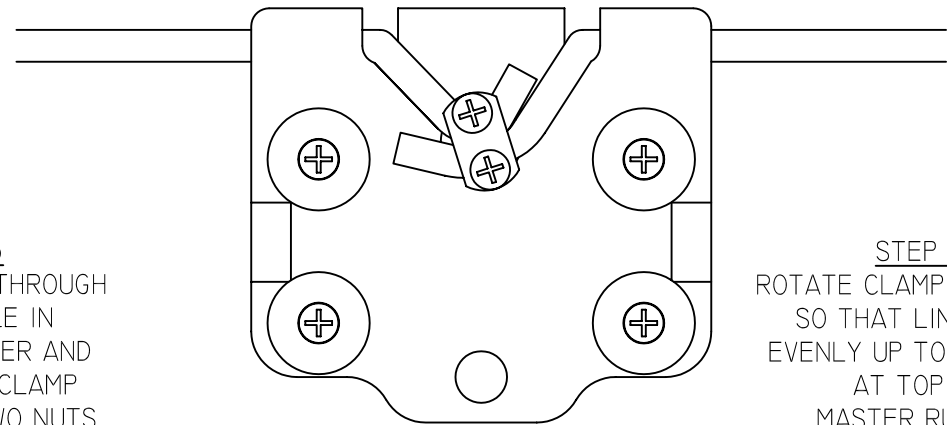
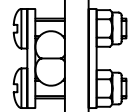
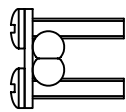
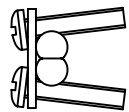


THESE VIEWS SHOW MASTER RUNNER CLAMPED ONTO CONTINUOUS LINE



STEP 1  
ASSEMBLE TWO CLAMP  
SCREWS THROUGH ONE  
CLAMP PLATE AND  
WEDGE THE TWO  
ENDS OF THE LINE  
BETWEEN SCREWS

STEP 2  
USE GENTLE FINGER  
PRESSURE TO  
SQUEEZE THE TWO  
CLAMP SCREWS UNTIL  
PARALLEL

STEP 3  
PUSH SCREWS THROUGH  
LARGE HOLE IN  
MASTER RUNNER AND  
FIT SECOND CLAMP  
PLATE AND TWO NUTS

STEP 4  
ROTATE CLAMP ASSEMBLY  
SO THAT LINE RUNS  
EVENLY UP TO NOTCHES  
AT TOP OF  
MASTER RUNNER  
AND TIGHTEN SCREWS GENTLY  
TO SECURE ENDS OF LINE

THESE VIEWS SHOW STEP BY STEP PROCEDURE TO ATTACH ENDS OF LINE TO MASTER RUNNER