



DOUGHTY ENGINEERING LTD

DATA SHEET

TITLE:
SLIMLINE SIDE ENTRY CLAMP

PART NOS:
T58781 - SILVER
T58783 - BLACK

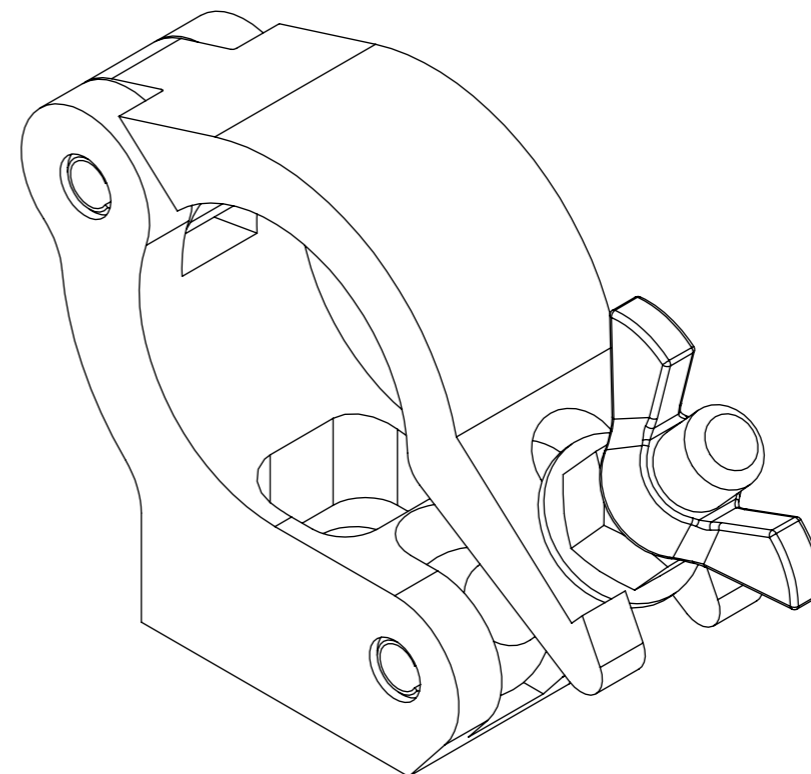
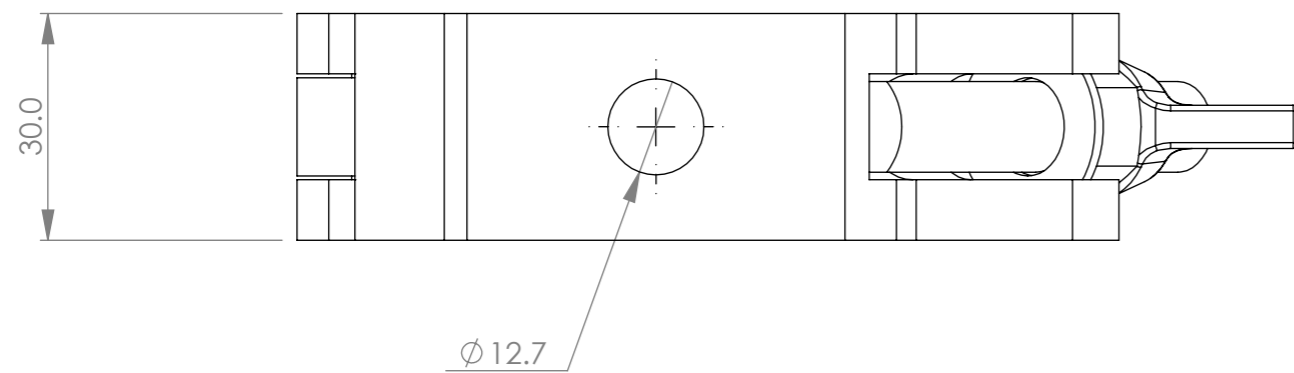
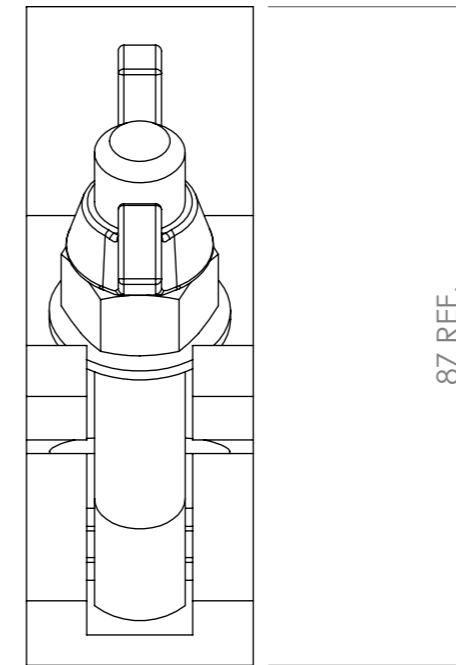
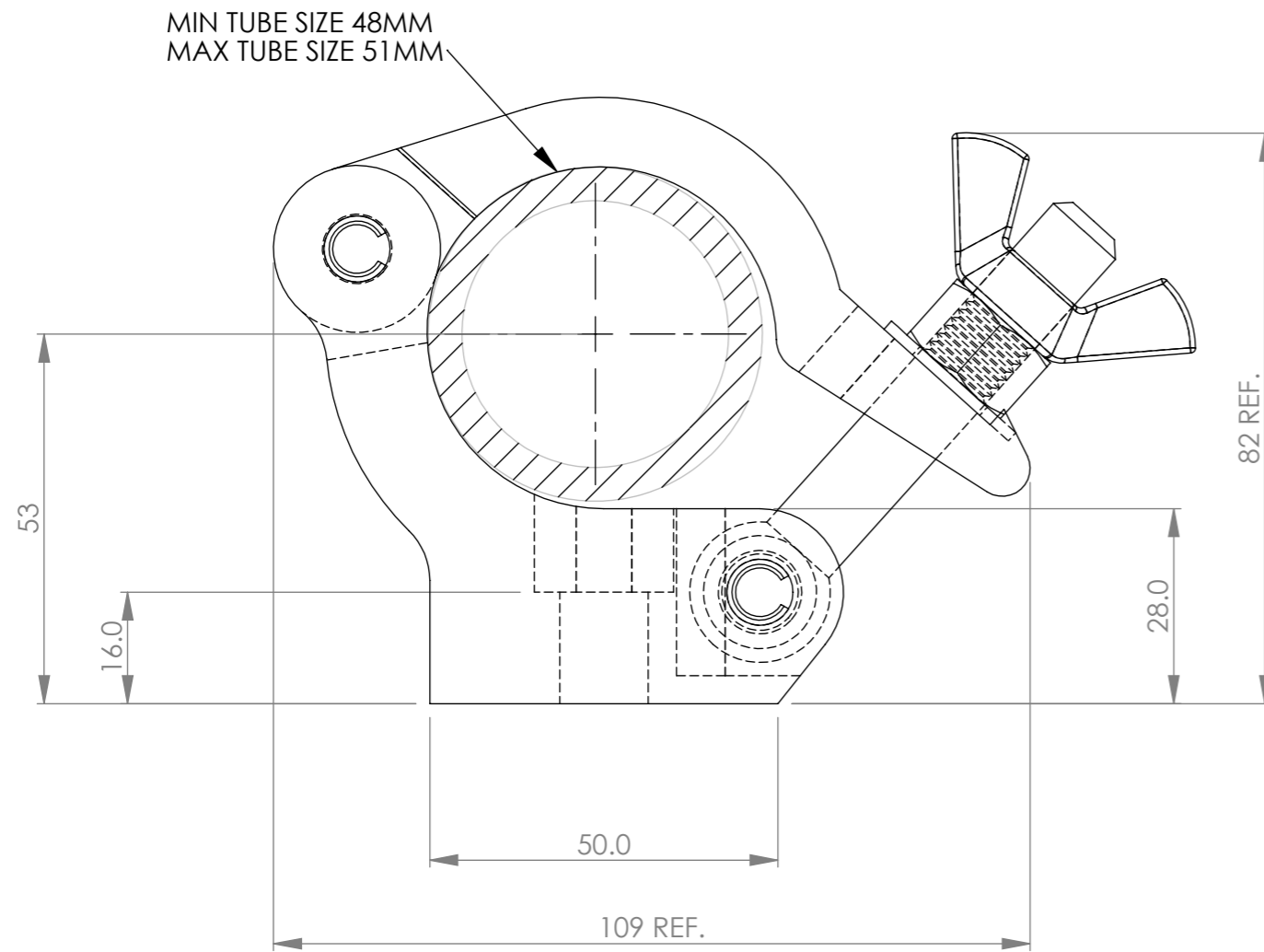
MATERIAL:
ALUMINIUM

WEIGHT:
0.36 KG

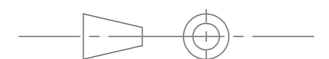
SWL:
750 KG

FINISH:
T58781 - POLISHED
T58783 - POWDER PAINTED BLACK

NOTES:
MIN TUBE SIZE - 48MM
MAX TUBE SIZE - 51MM



**STRICTLY
FOR
REFERENCE
PURPOSES
ONLY**



THIRD ANGLE PROJECTION