



- **Pipe hooks**

PH

WLL 2000 - 10000kgs (per pair)

Columbus McKinnon Corporation Limited

Knutsford Way,
Sealand Industrial Estate,
Chester
CH1 4NZ
United Kingdom

Tel: +44 (0) 1244 375375
Fax: +44 (0) 1244 377403
Email: sales.uk@cmco.eu
Web: www.cmco.eu



Model: PH

Pipe hooks for transporting pipe WLL 2000 - 10000kgs (per pair)

INTRODUCTION

Products of Columbus McKinnon Corporation Limited have been built in accordance with the state-of-the-art and generally accepted engineering standards. Nonetheless, incorrect handling when using the products may cause dangers to life and limb of the user or third parties and/or damage to the hoist or other property.

The operating company is responsible for the proper and professional instruction of the operating personnel. For this purpose, all operators must read these operating instructions carefully prior to the initial operation.

These operating instructions are intended to acquaint the user with the product and enable him to use it to the full extent of its intended capabilities. The operating instructions contain important information on how to operate the product in a safe, correct and economic way. Acting in accordance with these instructions helps to avoid dangers, reduce repair costs and downtimes and to increase the reliability and lifetime of the product. The operating instructions must always be available at the place where the product is operated. Apart from the operating instructions and the accident prevention act valid for the respective country and area where the product is used, the commonly accepted regulations for safe and professional work must also be adhered to.

The personnel responsible for operation, maintenance or repair of the product must read, understand and follow these operating instructions.

The indicated protective measures will only provide the necessary safety, if the product is operated correctly and installed and/or maintained according to the instructions. The operating company is committed to ensure safe and trouble-free operation of the product.

OVERVIEW

This series of pipe hooks can be supplied with or without shackles. They are designed to use US spec RR-C-271B (green pin) shackles. The hooks can be supplied with a thick polyurethane coating that will protect the pipe ends. Note. Polyurethane coated hooks have a 6mm reduction in wall thickness handling capacities.

CORRECT USE

- *Never* try to lift a load with a wall thickness larger or smaller than specified.
- *Never* use the hooks with a larger or smaller sling angle than specified.
- *Never* exceed the maximum working load limit.
- The hooks must be used in pairs on a two-leg sling to lift pipes and tubes in a horizontal position.
- They are not suitable for use on endless slings or slings with unequal leg lengths.

FITTING

- Place the hooks into the ends of the pipe and hold them in position until weight is applied.

LIFTING

- *Never* stand under a suspended load and if guiding a load by hand always place the palm of the hand on top of the load.
- *Never* grip the load with fingers on the underside.
- *Always* stand clear when lifting or lowering.
- Position the hoist above the drop point. **DO NOT** try to push or pull the load into a position that the normal hoist travel cannot reach.

LOWERING

- Lower the load slowly and gently.
- Take care when lowering that the load will be stable.

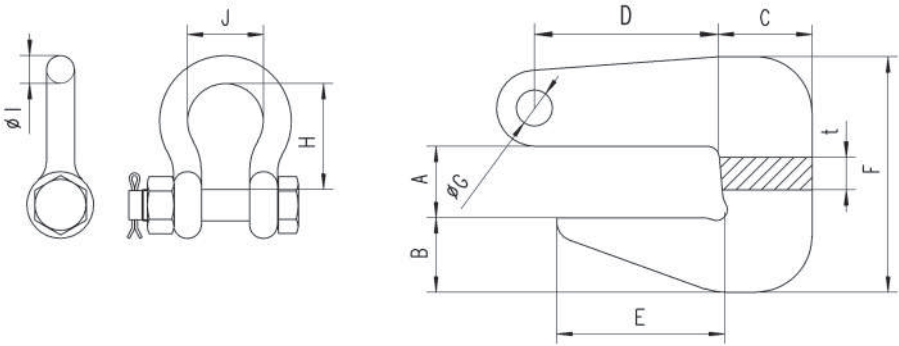
GENERAL SAFETY INSTRUCTIONS

- *Never* fast lower, always gently lift and lower.
- *Never* manoeuvre loads over anybody.
- *Always* keep a record of inspections and repairs.
- Take care when lowering to ensure that the load will be stable when it lands.
- Take care not to lower the load onto feet or legs.

INSPECTION

- Inspect the hooks regularly for signs of wear; signs of overloading; damage and for wear of the coating if fitted.

TECHNICAL INFORMATION



60° - 90° CHAIN TOP ANGLE / 30° - 45° FROM VERTICAL													
Model	W.L.L. (per pair) kgs	Dimensions										Weight (per pair) kgs	
		t mm	A* mm	B mm	C mm	D mm	E mm	F mm	Ø G mm	H mm	Ø I mm		J mm
PH 2/A	2000	20	0-40	35	40	62	62	116	16.3	47.6	12.7	30.2	2.4
PH 4/A	4000	30	0-50	40	48	77	77	142	24.3	72.2	19	44.5	5.6
PH 6/A	6000	30	0-60	51	62	90	90	173	24.3	72.2	19	44.5	8.3
PH8/A	8000	40	0-70	55	67	105	105	190	30.3	95.3	25.4	58.7	13.5
PH 10/A	10000	40	0-80	69	80	115	115	221	30.3	95.3	25.4	58.7	17.8

*NB. Coated hooks have a 6mm reduction in wall thickness handling capacities.

90° - 120° CHAIN TOP ANGLE / 45° - 60° FROM VERTICAL													
Model	W.L.L. (per pair) kgs	Dimensions										Weight (per pair) kgs	
		t mm	A* mm	B mm	C mm	D mm	E mm	F mm	Ø G mm	H mm	Ø I mm		J mm
PH 2/B	2000	20	0-30	34	40	82	75	106	16.3	30.2	12.7	47.6	2.8
PH 4/B	4000	30	10-40	39	50	95	80	131	24.3	44.5	19	72.2	6.3
PH 6/B	6000	40	20-50	43	55	106	95	153	30.3	58.7	25.4	95.3	10.6
PH8/B	8000	40	30-65	54	65	119	100	185	30.3	58.7	25.4	95.3	14.4
PH 10/B	10000	50	30-75	60	70	143	125	208	36.3	73	31.8	117	23.3

*NB. Coated hooks have a 6mm reduction in wall thickness handling capacities.

Further information and operating instructions are to be found at www.camlok.co.uk

United Kingdom

Columbus McKinnon Corporation Limited

Knutsford Way, Sealand Industrial Estate

Chester CH1 4NZ

Tel: +44 (0) 1244 375375

Fax: +44 (0) 1244 377403

Email: sales.uk@cmco.eu

Web Site: www.cmco.eu

NI Office

Columbus McKinnon Corporation Limited

1A, Ferguson Centre

57-59 Manse Road

Newtownabbey, BT36 6RW

Tel: +44 (0) 2890 840697

Fax: +44 (0) 2890 343673

Email: sales.ni@cmco.eu

Web Site: www.cmco.eu

Authorised distributor:

