

# Assembly Manual

## X & H 30-40 TRUSS



# 1. IDENTIFICATION

All Prolyte trusses have an embossed logo at their couplers and identification stickers. The logo shall never be removed. The X and H series trusses are distinguished by the number of embossed rings in the coupler receiver (see annex).



X Coupler - 1 ring  
H Coupler - 2 rings

Figure 1. Embossed rings

### Prolyte truss X30L

Prolyte X-truss can be recognized by the CCS6® couplers with the Prolyte-logo at the ends of the truss and it has one ring below the pin-holes.

The X30L truss is of a ladder type:

- 51 mm (w) x 239 mm (h) (centre to centre)
- 51 mm (w) x 290 mm (h) (connection outside)
- Chords: tubes 51 x 2 mm
- Diagonals: 16 x 2 mm

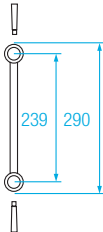


Figure 2. X30L dimensions

### Prolyte truss X30D

Prolyte X-truss can be recognized by the CCS6® couplers with the Prolyte-logo at the ends of the truss and it has one ring below the pin-holes.

The X30D truss is of a triangular type:

- 239 mm (w) x 207 mm (h) (centre to centre)
- 290 mm (w) x 258 mm (h) (connection outside)
- Chords: tubes 51 x 2 mm
- Diagonals: 16 x 2 mm

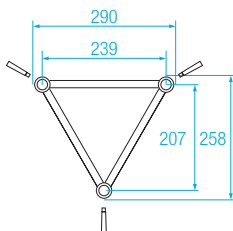


Figure 3. X30D dimensions

### Prolyte truss X30V

Prolyte X-truss can be recognized by the CCS6® couplers with the Prolyte-logo at the ends of the truss and it has one ring below the pin-holes.

The X30V truss has a square cross-section with chords:

- 239 mm (w) x 239 mm (h) (centre to centre)
- 290 mm (w) x 290 mm (h) (connection outside)
- Chords: tubes 51 x 2 mm
- Diagonals: 16 x 2 mm

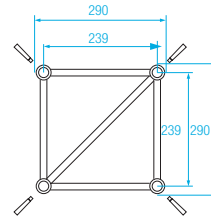


Figure 4. X30V dimensions

### Prolyte truss H30L

Prolyte H-truss can be recognized by the CCS6® couplers with the Prolyte-logo at the ends of the truss and it has two rings around the pin-holes.

The H30L truss is of a ladder type:

- 48.3 mm (w) x 239 mm (h) (centre to centre)
- 48.3 mm (w) x 287.3 mm (h) (connection outside)
- Chords: tubes 48.3 x 3 mm
- Diagonals: 16 x 2 mm

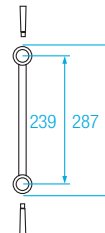


Figure 5. H30L dimensions

### Prolyte truss H30D

Prolyte H-truss can be recognized by the CCS6® couplers with the Prolyte-logo at the ends of the truss and it has two rings around the pin-holes.

The H30D truss is of a triangular type:

- 239 mm (w) x 207 mm (h) (centre to centre)
- 287.3 mm (w) x 255.3 mm (h) (connection outside)
- Chords: tubes 48.3 x 3 mm
- Diagonals: 16 x 2 mm

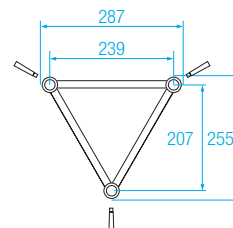


Figure 6. H30D dimensions

**Prolyte truss H30V**

Prolyte H-truss can be recognized by the CCS6® couplers with the Prolyte-  
logo at the ends of the truss and it has two rings around the pin-holes.

The H30V truss has a square cross-section with chords:

239 mm (w) x 239 mm (h) (centre to centre)

287.3 mm (w) x 287.3 mm (h) (connection outside)

Chords: tubes 48.3 x 3 mm

Diagonals: 16 x 2 mm

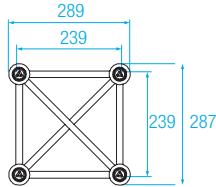


Figure 7. H30V dimensions

**Prolyte truss H40L**

Prolyte H-truss can be recognized by the CCS6® couplers with the Prolyte-  
logo at the ends of the truss and it has two rings around the pin-holes.

The H40L truss is of a triangular type:

48.3 mm (w) x 339 mm (h) (centre to centre)

48.3 mm (w) x 390 mm (h) (connection outside)

Chords: tubes 48.3 x 3 mm

Diagonals: 20 x 2 mm

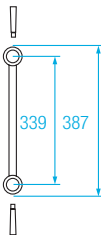


Figure 8. H40L dimensions

**Prolyte truss H40D**

Prolyte H-truss can be recognized by the CCS6® couplers with the Prolyte-  
logo at the ends of the truss and it has two rings around the pin-holes.

The H40D truss is of a triangular type:

339 mm (w) x 294 mm (h) (centre to centre)

387.3 mm (w) x 342.3 mm (h) (connection outside)

Chords: tubes 48.3 x 3 mm

Diagonals: 20 x 2 mm

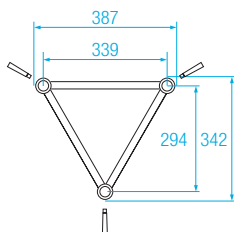


Figure 9. H40D dimensions

**Prolyte truss H40V**

Prolyte H-truss can be recognized by the CCS6® couplers with the Prolyte-  
logo at the ends of the truss and it has two rings below the pin-holes.

The H40V has a square cross-section with chords:

339 mm (w) x 339 mm (h) (centre to centre)

387.3 mm (w) x 387.3 mm (h) (connection outside)

Chords: tubes 48.3 x 3 mm

Diagonals: 20 x 2 mm

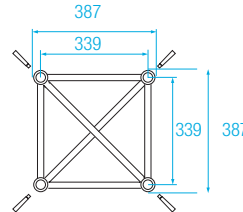


Figure 10. H40V dimensions

## 2. ASSEMBLY INSTRUCTION

1. Inspect de trusses and coupler parts as described above.
2. Put the conical couplers (CCS6-600) in the conical tube-ends of the truss. Notice the wide side of the truss-pin-hole points outward or upward, see figure 11.
3. Fix the coupler with the tapered steel truss pins (CCS6-603 for repeated assembly) or (CCS6-604 for longer periods of assembled use).
4. Slightly manoeuvre the truss-sections towards each other.
5. Use a red copper hammer of approx. 600gr to hammer the pins in place. Prevent wear on pins and dents in the truss.
6. Lock the truss pins in place with R-clips (CCS6-605) or M8 self-locking nuts (BM-M8-SN).

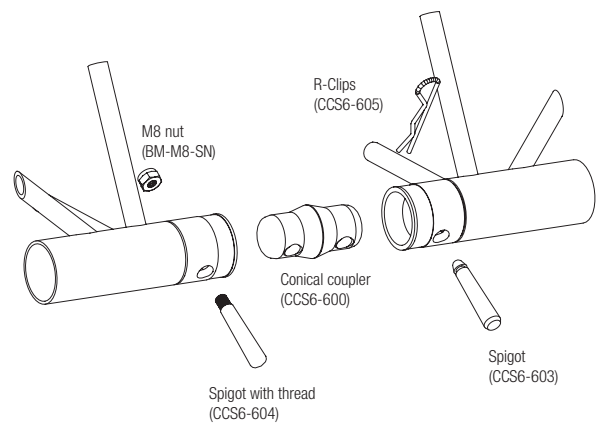


Figure 11. Coupling System

### 3. DISASSEMBLY

1. Remove the load of the truss and place the truss on the ground.
2. When the span is resting on the ground, the R-clips or M8-selflocking nuts can be removed.
3. Manoeuvre the truss a little if needed to release the tension from the coupling parts.
4. Undo the steel truss pins as much as possible in one strike, preferably with a red copper hammer.



**CAUTION:** Never use sharp tools as screwdrivers to disengage truss-pins from the couplers. A truss-pin in opposite direction will do the job just fine.



**NOTICE:** Due to their structural behaviour technical data for the X30L, H30L and H40L ladder trusses are not given. At all times their structural integrity must be approved by an engineer.

### 5. TOOLING LIST

Red copper hammer +/- 600 gr:  
to fit the steel conical pins CCS6-603 and CCS6-604.

Wrench with size 13 mm head:  
to tighten bolts of the CCS6-604.

Spanner with size 13 mm head:  
to tighten bolts of the CCS6-604.

### 4. TECHNICAL SPECIFICATIONS

For loading tables of trusses, see appendix A.

For cantilever loading tables, see appendix B.

#### Loads at free chords in between two node points

The load capacity of a free chord span is affected by:

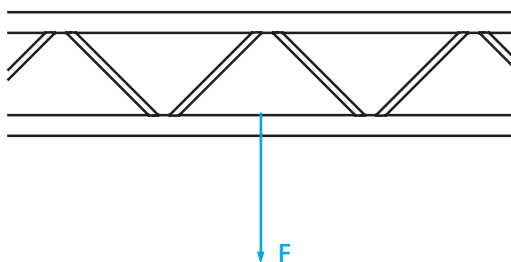
- length of span
- size of tube
- size of the HAZ at node points at both tube ends  
(for these reasons the CPL on a free tube in H30D truss is bigger as for H30V).

The loads given are calculated in such way that it does not matter whether:

- they apply to top or bottom chords
- loads are suspended at adjacent fields
- the sum of all point loads may not exceed the maximum allowable bending moment of the truss.

In case of having just one point load to be suspended at a free chord length, the load might be higher however this should be checked by an engineer.

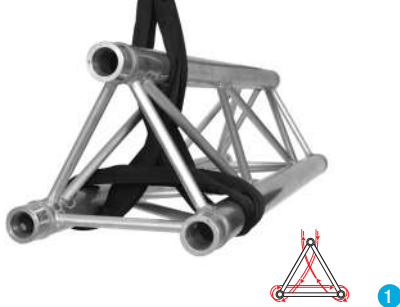
X30D	=	120 kg
X30V	=	90 kg
H30D	=	130 kg
H30V	=	100 kg
H40D	=	90 kg
H40V	=	60 kg



## 6. SLINGING TRUSSES

Prolyte advises to sling trusses as shown below:

TRIANGULAR TRUSS | APEX UP  
1 SLING, INVERTED BASKET ON BOTTOM CHORDS



TRIANGULAR TRUSS | APEX DOWN  
1 SLING, BASKET ON BOTTOM CHORD AND WRAPS ON TOP CHORDS



TRIANGULAR TRUSS | APEX UP  
2 SLINGS, CHOKES ON BOTTOM CHORDS



TRIANGULAR TRUSS | APEX DOWN  
2 SLINGS, CHOKES ON TOP CHORDS



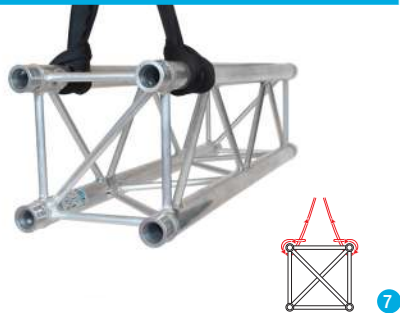
TRIANGULAR TRUSS | APEX DOWN  
1 SLING, INVERTED BASKET ON TOP CHORDS



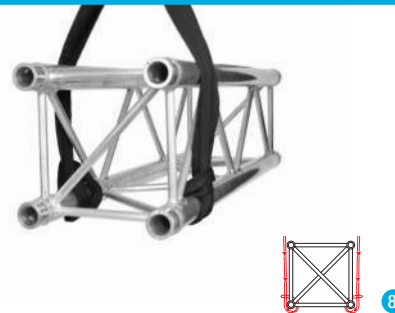
TRIANGULAR TRUSS | APEX DOWN  
1 SLING, BASKET WITH WRAPS ON TOP CHORDS



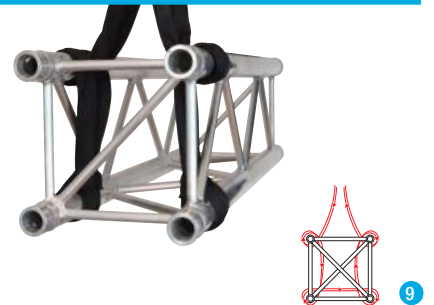
RECTANGULAR TRUSS  
2 SLINGS, CHOKES ON TOP CHORDS



RECTANGULAR TRUSS  
2 SLINGS, CHOKES ON BOTTOM CHORDS



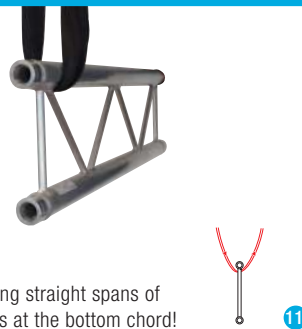
RECTANGULAR TRUSS  
2 SLINGS, CHOKES ON BOTTOM CHORDS WITH WRAPS ON TOP CHORDS



RECTANGULAR TRUSS  
1 SLING, INVERTED BASKET ON TOP CHORDS



TWO CHORD TRUSS  
1 SLING, BASKET ON TOP CHORD



Note: Never sling straight spans of two chord truss at the bottom chord!



**WARNING:** Make sure that load bearing parts of Suspension equipment is fire retardant at all times.

## APPENDIX A: LOADING TABLE: X30D

X30D - Allowable Loading																
SPAN		Uniformly Distributed Load		DEFLECTION		MAXIMUM ALLOWABLE POINT LOADS										SPAN
						Centre Point Load		DEFLECTION		Single Load Third Points Load per Point		Single Load Fourth Points Load per Point		Single Load Fifth Points Load per Point		
m	ft	kg/m	lbs/ft	mm	inch	CPL		DEFLECTION		TPL		QPL		FPL		total weight
3	9,8	443,7	298,6	13	0,5	576,3	1272,0	10	0,4	405,2	894,3	308,9	681,7	245,6	542,1	11,4
4	13,1	248,1	166,9	23	0,9	444,8	981,8	19	0,7	317,5	700,6	234,6	517,7	188,6	416,3	15,2
5	16,4	157,6	106,0	36	1,4	360,8	796,3	29	1,1	260,1	574,1	188,3	415,6	152,5	336,6	19,0
6	19,7	108,4	72,9	52	2,1	302,2	667,0	42	1,7	219,5	484,5	156,6	345,7	127,5	281,4	22,8
7	23,0	78,7	53,0	71	2,8	258,9	571,4	57	2,2	189,2	417,6	133,5	294,6	109,1	240,7	26,6
8	26,2	59,5	40,0	93	3,7	225,4	497,4	75	2,9	165,6	365,4	115,7	255,4	94,9	209,4	30,4
9	29,5	46,3	31,1	118	4,6	198,6	438,2	94	3,7	146,6	323,5	101,6	224,3	83,6	184,4	34,2
10	32,8	36,8	24,8	146	5,7	176,6	389,7	117	4,6	130,9	289,0	90,1	198,9	74,3	163,9	38,0
11	36,1	29,8	20,1	176	6,9	158,1	348,9	141	5,6	117,7	259,9	80,5	177,7	66,5	146,8	41,8
12	39,4	24,5	16,5	210	8,3	142,3	314,0	168	6,6	106,4	234,9	72,3	159,7	59,9	132,1	45,6
13	42,6	20,4	13,7	246	9,7	128,6	283,8	197	7,8	96,6	213,2	65,3	144,1	54,1	119,5	49,4
14	45,9	17,1	11,5	285	11,2	116,5	257,2	228	9,0	87,9	194,1	59,1	130,4	49,1	108,3	53,2
15	49,2	14,5	9,7	328	12,9	105,8	233,6	262	10,3	80,2	177,1	53,6	118,2	44,6	98,4	57,0
16	52,5	12,3	8,3	373	14,7	96,2	212,3	298	11,7	73,3	161,7	48,6	107,4	40,6	89,6	60,8

1 inch = 25,4 mm | 1m = 3.28 ft | 1 lbs = 0,453 kg

- Tüv certification only valid for loading table above.
- Loading figures are only valid for static loads.
- Loading figures are only valid for single spans with supports at both ends.
- All static systems, other than single spans, need an individual structural calculation. Please contact a structural engineer or Prolyte Group for assistance.
- Loading figures are calculated according to and in full compliance with European standards (Eurocode).
- The self-weight of the trusses is already taken into account.
- Loading figures are only valid for the cross sectional orientation of the truss as shown by the icon in the loading table.
- The interaction between bending moment and shear force at the connection point is already taken into account.
- Truss spans can be assembled from different truss lengths.
- Read the manual before assembling, using and loading the truss.



## LOADING TABLE: X30V

X30V - Allowable Loading																
SPAN		Uniformly Distributed Load		DEFLECTION		MAXIMUM ALLOWABLE POINT LOADS										SPAN
						Centre Point Load		DEFLECTION		Single Load Third Points Load per Point		Single Load Fourth Points Load per Point		Single Load Fifth Points Load per Point		
m	ft	kg/m	lbs/ft	mm	inch	CPL		DEFLECTION		TPL		QPL		FPL		total weight
						kgs	lbs	mm	inch	kgs	lbs	kgs	lbs	kgs	lbs	
3	9,8	650,0	437,4	10	0,4	1215,0	2681,5	8	0,3	853,5	1883,6	650,0	1434,6	487,5	1076,0	15,3
4	13,1	486,4	327,3	18	0,7	959,5	2117,5	15	0,6	664,0	1465,5	523,6	1155,5	411,2	907,5	20,4
5	16,4	367,1	247,0	28	1,1	791,1	1746,0	23	0,9	555,2	1225,4	424,9	937,7	337,3	744,5	25,5
6	19,7	253,5	170,6	41	1,6	671,5	1482,0	33	1,3	476,1	1050,8	356,6	787,1	285,4	629,8	30,6
7	23,0	185,1	124,5	55	2,2	581,9	1284,3	44	1,7	415,9	918,0	306,5	676,5	246,7	544,4	35,7
8	26,2	140,6	94,6	72	2,9	512,2	1130,4	58	2,3	368,5	813,2	268,1	591,6	216,7	478,3	40,8
9	29,5	110,1	74,1	92	3,6	456,2	1006,8	73	2,9	330,0	728,3	237,5	524,2	192,7	425,4	45,9
10	32,8	88,3	59,4	113	4,5	410,1	905,1	91	3,6	298,1	658,0	212,7	469,3	173,1	382,0	51,0
11	36,1	72,2	48,6	137	5,4	371,4	819,7	110	4,3	271,2	598,6	191,9	423,6	156,6	345,7	56,1
12	39,4	59,9	40,3	163	6,4	338,4	746,9	131	5,1	248,1	547,6	174,4	384,8	142,7	314,8	61,2
13	42,6	50,4	33,9	191	7,5	309,9	683,9	153	6,0	228,1	503,4	159,2	351,4	130,6	288,2	66,3
14	45,9	42,8	28,8	222	8,7	284,9	628,7	178	7,0	210,5	464,5	146,1	322,4	120,0	264,8	71,4
15	49,2	36,7	24,7	255	10,0	262,7	579,8	204	8,0	194,8	429,9	134,4	296,7	110,7	244,2	76,5
16	52,5	31,7	21,3	290	11,4	242,9	536,1	232	9,1	180,8	399,0	124,1	273,9	102,3	225,9	81,6
17	55,8	27,6	18,5	327	12,9	225,1	496,8	262	10,3	168,1	371,0	114,8	253,4	94,8	209,3	86,7
18	59,0	24,1	16,2	367	14,4	208,9	461,1	294	11,6	156,6	345,6	106,4	234,8	88,0	194,3	91,8
19	62,3	21,2	14,2	409	16,1	194,1	428,5	327	12,9	146,0	322,3	98,7	217,9	81,8	180,6	96,9
20	65,6	18,6	12,5	453	17,8	180,5	398,5	363	14,3	136,3	300,8	91,7	202,4	76,1	168,1	102

1 inch = 25,4 mm | 1m = 3.28 ft | 1 lbs = 0,453 kg

- Tüv certification only valid for loading table above.
- Loading figures are only valid for static loads.
- Loading figures are only valid for single spans with supports at both ends.
- All static systems, other than single spans, need an individual structural calculation. Please contact a structural engineer or Prolyte Group for assistance.
- Loading figures are calculated according to and in full compliance with European standards (Eurocode).
- The self-weight of the trusses is already taken into account.
- Loading figures are only valid for the cross sectional orientation of the truss as shown by the icon in the loading table.
- The interaction between bending moment and shear force at the connection point is already taken into account.
- Truss spans can be assembled from different truss lengths.
- Read the manual before assembling, using and loading the truss.

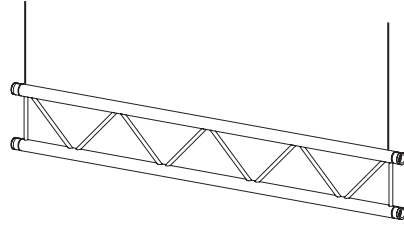




## LOADING TABLE: X30L

### X30L - Allowable Loading (Span supported on top chord.)

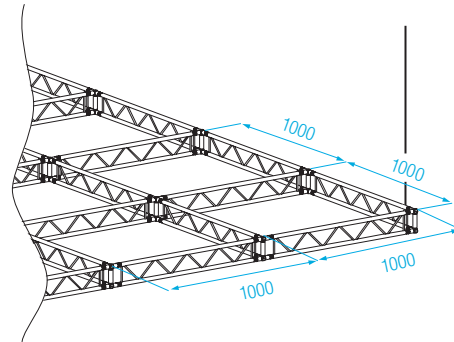
SPAN		Uniformly Distributed Load		DEFLECTION		CPL		DEFLECTION	
m	ft	kg/m	lbs/ft	mm	inch	kgs	lbs	mm	inch
1	3,3	979,7	659,2	2	0,1	979,7	2162,2	1	0,0
2	6,6	345,0	232,1	1	0,1	345,0	761,4	1	0,0
3	9,8	135,0	90,8	3	0,1	203,0	448,0	2	0,1
4	13,1	64,0	43,1	4	0,2	128,0	282,5	3	0,1
5	16,4	27,0	18,2	4	0,2	67,0	147,9	3	0,1
6	19,7	12,0	8,1	4	0,1	36,0	79,5	3	0,1



Spans must be supported at each end.  
Loads must be suspended from bottom chord only.

### X30L - Allowable Loading (Top chord sideways supported each metre.)

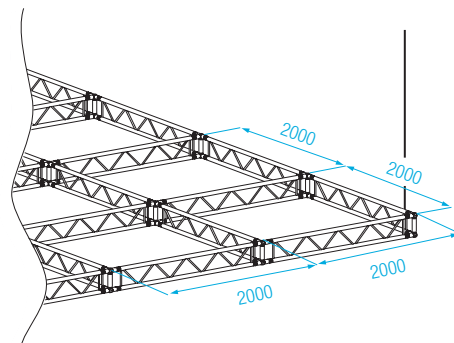
SPAN		Uniformly Distributed Load		DEFLECTION		CPL		DEFLECTION	
m	ft	kg/m	lbs/ft	mm	inch	kgs	lbs	mm	inch
4	13,1	243,2	163,7	18	0,7	459,8	1014,8	15	0,6
5	16,4	176,3	118,6	28	1,1	381,7	842,3	23	0,9
6	19,7	123,2	82,9	41	1,6	325,5	718,3	33	1,3
7	23,0	90,6	61,0	55	2,2	283,0	624,7	44	1,7
8	26,2	69,2	46,6	72	2,9	249,8	551,2	58	2,3
9	29,5	54,4	36,6	92	3,6	222,9	492,0	73	2,9
10	32,8	43,7	29,4	113	4,5	200,7	443,0	91	3,6
11	36,1	35,8	24,1	137	5,4	182,1	401,8	110	4,3
12	39,4	29,8	20,0	163	6,4	166,1	366,5	131	5,1



Spans must be supported at each end.  
Loads must be suspended from bottom chord only.

### X30L - Allowable Loading (Top chords sideways supported every 2 metres.)

SPAN		Uniformly Distributed Load		DEFLECTION		CPL		DEFLECTION	
m	ft	kg/m	lbs/ft	mm	inch	kgs	lbs	mm	inch
4	13,1	84,6	56,9	5	0,2	169,1	373,3	4	0,2
5	16,4	53,3	35,9	8	0,3	133,3	294,1	7	0,3
6	19,7	36,3	24,4	12	0,5	109,0	240,6	10	0,4
7	23,0	26,1	17,6	17	0,7	91,3	201,6	13	0,5
8	26,2	19,5	13,1	22	0,9	77,8	171,7	17	0,7
9	29,5	14,9	10,0	27	1,1	67,0	148,0	22	0,9
10	32,8	11,6	7,8	34	1,3	58,2	128,4	27	1,1
11	36,1	9,2	6,2	41	1,6	50,8	112,0	33	1,3
12	39,4	7,4	5,0	49	1,9	44,4	97,9	39	1,5



Spans must be supported at each end.  
Loads must be suspended from bottom chord only.

1 inch = 25,4 mm | 1 m = 3.28 ft | 1 lbs = 0,453 kg

## LOADING TABLE: H30D

H30D - Allowable Loading																
SPAN		Uniformly Distributed Load		DEFLECTION		MAXIMUM ALLOWABLE POINT LOADS										SPAN
						Centre Point Load		DEFLECTION		Single Load Third Points Load per Point		Single Load Fourth Points Load per Point		Single Load Fifth Points Load per Point		
m	ft	kg/m	lbs/ft	mm	inch	CPL	DEFLECTION	TPL	QPL	FPL	total weight					
						kgs	lbs	kgs	lbs	kgs	lbs	kgs	lbs	kgs	lbs	
3	9,8	562,4	378,4	13	0,5	782,3	1726,6	11	0,4	546,6	1206,4	422,2	931,8	334,1	737,4	15,0
4	13,1	342,0	230,1	23	0,9	606,0	1337,5	19	0,7	430,3	949,7	321,3	709,2	257,4	568,1	20,0
5	16,4	217,3	146,2	37	1,5	492,8	1087,6	29	1,2	353,7	780,6	258,4	570,2	208,6	460,4	25,0
6	19,7	149,5	100,6	53	2,1	413,6	912,8	42	1,7	299,3	660,5	215,2	474,9	174,7	385,5	30,0
7	23,0	108,6	73,1	72	2,8	354,9	783,2	57	2,3	258,4	570,4	183,6	405,1	149,6	330,3	35,0
8	26,2	82,1	55,3	94	3,7	309,4	682,8	75	3,0	226,6	500,0	159,3	351,6	130,3	287,7	40,0
9	29,5	63,9	43,0	118	4,6	273,0	602,4	95	3,7	200,9	443,4	140,1	309,2	114,9	253,6	45,0
10	32,8	50,9	34,3	146	5,7	243,1	536,4	117	4,6	179,7	396,6	124,4	274,5	102,3	225,8	50,0
11	36,1	41,3	27,8	177	7,0	217,9	481,0	142	5,6	161,8	357,2	111,2	245,5	91,7	202,4	55,0
12	39,4	34,0	22,9	211	8,3	196,5	433,6	169	6,6	146,5	323,4	100,1	220,9	82,7	182,5	60,0
13	42,6	28,3	19,0	247	9,7	177,8	392,5	198	7,8	133,2	294,0	90,4	199,6	74,9	165,2	65,0
14	45,9	23,8	16,0	287	11,3	161,4	356,3	229	9,0	121,5	268,1	82,0	180,9	68,0	150,1	70,0
15	49,2	20,1	13,6	329	13,0	146,9	324,1	263	10,4	111,0	245,0	74,5	164,3	61,9	136,6	75,0
16	52,5	17,2	11,5	375	14,8	133,8	295,3	300	11,8	101,6	224,2	67,7	149,5	56,4	124,5	80,0

1 inch = 25,4 mm | 1m = 3.28 ft | 1 lbs = 0,453 kg

- Tüv certification only valid for loading table above.
- Loading figures are only valid for static loads.
- Loading figures are only valid for single spans with supports at both ends.
- All static systems, other than single spans, need an individual structural calculation. Please contact a structural engineer or Prolyte Group for assistance.
- Loading figures are calculated according to and in full compliance with European standards (Eurocode).
- The self-weight of the trusses is already taken into account.
- Loading figures are only valid for the cross sectional orientation of the truss as shown by the icon in the loading table.
- The interaction between bending moment and shear force at the connection point is already taken into account.
- Truss spans can be assembled from different truss lengths.
- Read the manual before assembling, using and loading the truss.



## LOADING TABLE: H30V

H30V - Allowable Loading																
SPAN		Uniformly Distributed Load		DEFLECTION		MAXIMUM ALLOWABLE POINT LOADS										SPAN
						Centre Point Load		DEFLECTION		Single Load Third Points Load per Point		Single Load Fourth Points Load per Point		Single Load Fifth Points Load per Point		
m	ft	kg/m	lbs/ft	mm	inch	CPL		DEFLECTION		TPL		QPL		FPL		total weight
3	9,8	649,0	436,7	10	0,4	1667,9	3681,0	8	0,3	973,4	2148,4	649,0	1432,2	486,7	1074,2	18,9
4	13,1	485,3	326,5	18	0,7	1298,1	2864,9	15	0,6	932,1	2057,2	647,1	1428,1	485,3	1071,1	25,2
5	16,4	387,1	260,5	28	1,1	1074,2	2370,9	23	0,9	749,1	1653,3	581,1	1282,5	469,0	1035,1	31,5
6	19,7	321,6	216,4	41	1,6	914,4	2018,2	33	1,3	644,7	1422,8	488,7	1078,6	389,3	859,3	37,8
7	23,0	255,6	172,0	56	2,2	794,4	1753,2	45	1,8	564,8	1246,5	420,7	928,6	337,3	744,4	44,1
8	26,2	194,4	130,8	73	2,9	700,6	1546,3	58	2,3	501,6	1107,0	368,5	813,3	296,9	655,2	50,4
9	29,5	152,4	102,5	92	3,6	625,2	1379,9	74	2,9	450,2	993,7	327,0	721,8	264,5	583,8	56,7
10	32,8	122,3	82,3	114	4,5	563,2	1242,9	91	3,6	407,6	899,5	293,2	647,1	238,0	525,2	63,0
11	36,1	100,1	67,4	137	5,4	511,0	1127,8	110	4,3	371,5	820,0	265,1	585,0	215,7	476,1	69,3
12	39,4	83,2	56,0	164	6,5	466,5	1029,6	131	5,2	340,6	751,7	241,2	532,3	196,8	434,3	75,6
13	42,6	70,1	47,2	192	7,6	428,0	944,6	154	6,1	313,7	692,4	220,7	487,0	180,5	398,3	81,9
14	45,9	59,6	40,1	223	8,8	394,3	870,2	178	7,0	290,1	640,2	202,8	447,5	166,2	366,8	88,2
15	49,2	51,2	34,5	256	10,1	364,5	804,3	205	8,1	269,1	593,8	187,0	412,8	153,6	338,9	94,5
16	52,5	44,3	29,8	291	11,5	337,8	745,5	233	9,2	250,3	552,3	173,0	381,9	142,3	314,1	100,8
17	55,8	38,6	26,0	328	12,9	313,8	692,5	263	10,4	233,3	514,9	160,4	354,1	132,2	291,8	107,1
18	59,0	33,8	22,8	368	14,5	292,0	644,5	295	11,6	217,9	480,8	149,1	329,0	123,1	271,6	113,4
19	62,3	29,8	20,0	410	16,1	272,2	600,7	328	12,9	203,7	449,6	138,7	306,2	114,7	253,2	119,7
20	65,6	26,3	17,7	454	17,9	253,9	560,4	364	14,3	190,7	420,9	129,3	285,3	107,1	236,3	126

1 inch = 25,4 mm | 1m = 3.28 ft | 1 lbs = 0,453 kg

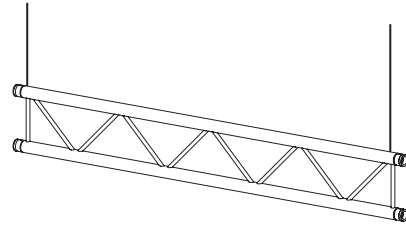
- Tüv certification only valid for loading table above.
- Loading figures are only valid for static loads.
- Loading figures are only valid for single spans with supports at both ends.
- All static systems, other than single spans, need an individual structural calculation. Please contact a structural engineer or Prolyte Group for assistance.
- Loading figures are calculated according to and in full compliance with European standards (Eurocode).
- The self-weight of the trusses is already taken into account.
- Loading figures are only valid for the cross sectional orientation of the truss as shown by the icon in the loading table.
- The interaction between bending moment and shear force at the connection point is already taken into account.
- Truss spans can be assembled from different truss lengths.
- Read the manual before assembling, using and loading the truss.



## LOADING TABLE: H30L

### H30L - Allowable Loading (Span supported on top chord.)

SPAN		Uniformly Distributed Load		DEFLECTION		CPL		DEFLECTION	
m	ft	kg/m	lbs/ft	mm	inch	kgs	lbs	mm	inch
1	3,3	979,2	658,9	1	0,0	979,2	2161,2	1	0,0
2	6,6	389,0	261,7	1	0,0	389,0	858,5	1	0,0
3	9,8	156,0	105,0	2	0,1	234,0	516,4	2	0,1
4	13,1	73,0	49,1	3	0,1	146,0	322,2	3	0,1
5	16,4	36,0	24,2	4	0,2	90,0	198,6	3	0,1
6	19,7	15,0	10,1	3	0,1	45,0	99,3	3	0,1

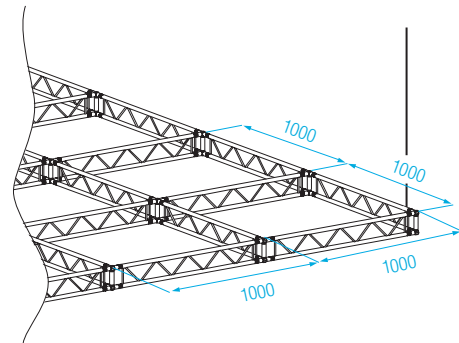


1 inch = 25,4 mm | 1 m = 3.28 ft | 1 lbs = 0,453 kg

Spans must be supported at each end.  
Loads must be suspended from bottom chord only.

### H30L - Allowable Loading (Top chord sideways supported each metre.)

SPAN		Uniformly Distributed Load		DEFLECTION		CPL		DEFLECTION	
m	ft	kg/m	lbs/ft	mm	inch	kgs	lbs	mm	inch
4	13,1	242,8	163,4	18	0,7	619,9	1368,1	15	0,6
5	16,4	193,7	130,3	28	1,1	516,7	1140,5	23	0,9
6	19,7	161,0	108,3	41	1,6	442,2	975,9	33	1,3
7	23,0	124,6	83,9	56	2,2	385,6	851,0	45	1,8
8	26,2	95,4	64,2	73	2,9	341,1	752,9	58	2,3
9	29,5	75,1	50,5	92	3,6	305,2	673,6	74	2,9
10	32,8	60,5	40,7	114	4,5	275,5	608,0	91	3,6
11	36,1	49,6	33,4	137	5,4	250,4	552,7	110	4,3
12	39,4	41,4	27,8	164	6,4	229,0	505,3	131	5,2

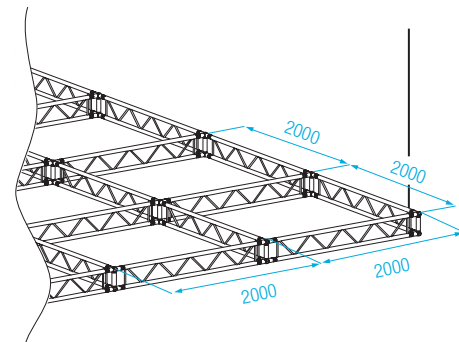


1 inch = 25,4 mm | 1 m = 3.28 ft | 1 lbs = 0,453 kg

Spans must be supported at each end.  
Loads must be suspended from bottom chord only.

### H30L - Allowable Loading (Top chords sideways supported every 2 metres.)

SPAN		Uniformly Distributed Load		DEFLECTION		CPL		DEFLECTION	
m	ft	kg/m	lbs/ft	mm	inch	kgs	lbs	mm	inch
4	13,1	95,2	64,1	4	0,2	190,5	420,3	4	0,1
5	16,4	60,0	40,4	7	0,3	149,9	330,9	6	0,2
6	19,7	40,8	27,5	10	0,4	122,5	270,3	8	0,3
7	23,0	29,3	19,7	14	0,5	102,5	226,1	11	0,4
8	26,2	21,8	14,7	18	0,7	87,1	192,3	14	0,6
9	29,5	16,6	11,2	23	0,9	74,9	165,3	18	0,7
10	32,8	13,0	8,7	28	1,1	64,8	143,1	22	0,9
11	36,1	10,2	6,9	34	1,3	56,4	124,4	27	1,1
12	39,4	8,2	5,5	40	1,6	49,1	108,3	32	1,3



1 inch = 25,4 mm | 1 m = 3.28 ft | 1 lbs = 0,453 kg

Spans must be supported at each end.  
Loads must be suspended from bottom chord only.

# LOADING TABLE: H40D

H40D - Allowable Loading																
SPAN		Uniformly Distributed Load		DEFLECTION		MAXIMUM ALLOWABLE POINT LOADS										SPAN
						Centre Point Load		DEFLECTION		Single Load Third Points Load per Point		Single Load Fourth Points Load per Point		Single Load Fifth Points Load per Point		
m	ft	kg/m	lbs/ft	mm	inch	CPL		DEFLECTION		TPL		QPL		FPL		total weight
3	9,8	724,4	487,4	9	0,4	1048,3	2313,5	8	0,3	715,6	1579,4	581,4	1283,2	451,7	996,8	15,0
4	13,1	487,6	328,1	17	0,7	824,1	1818,9	13	0,5	573,8	1266,3	446,7	985,8	352,4	777,8	20,0
5	16,4	310,4	208,9	26	1,0	677,3	1494,8	21	0,8	477,8	1054,6	361,7	798,2	288,3	636,3	25,0
6	19,7	214,2	144,1	38	1,5	573,4	1265,4	30	1,2	408,5	901,5	303,0	668,8	243,3	536,9	30,0
7	23,0	156,2	105,1	51	2,0	495,7	1094,1	41	1,6	355,9	785,4	260,0	573,8	209,9	463,2	35,0
8	26,2	118,5	79,8	64	2,5	435,3	960,7	53	2,1	314,5	694,1	226,9	500,9	184,0	406,0	40,0
9	29,5	92,7	62,4	85	3,3	386,8	853,8	68	2,7	281,0	620,2	200,7	443,0	163,3	360,4	45,0
10	32,8	74,2	50,0	104	4,1	347,0	765,8	84	3,3	253,3	558,9	179,3	395,8	146,3	323,0	50,0
11	36,1	60,6	40,8	126	5,0	313,5	691,9	101	4,0	229,8	507,3	161,5	356,5	132,1	291,6	55,0
12	39,4	50,2	33,8	150	5,9	284,9	628,9	120	4,7	209,8	463,0	146,4	323,1	120,1	265,0	60,0
13	42,6	42,1	28,3	176	6,9	260,2	574,3	141	5,6	192,3	424,5	133,4	294,3	109,6	241,9	65,0
14	45,9	35,7	24,0	205	8,1	238,5	526,4	164	6,5	177,0	390,6	122,0	269,2	100,5	221,7	70,0
15	49,2	30,5	20,5	235	9,3	219,3	484,0	188	7,4	163,3	360,5	111,9	247,1	92,4	203,9	75,0
16	52,5	26,3	17,7	267	10,5	202,1	446,0	214	8,4	151,1	333,5	103,0	227,3	85,1	187,9	80,0
17	55,8	22,7	15,3	302	11,9	186,6	411,7	241	9,5	140,0	309,0	94,9	209,5	78,6	173,5	85,0
18	59,0	19,8	13,3	338	13,3	172,4	380,6	271	10,7	129,9	286,8	87,6	193,4	72,7	160,5	90,0
19	62,3	17,3	11,6	377	14,8	159,5	352,1	302	11,9	120,7	266,3	81,0	178,7	67,3	148,5	95,0
20	65,6	15,2	10,2	417	16,4	147,6	325,8	334	13,1	112,1	247,5	74,9	165,2	62,3	137,5	100,0

1 inch = 25,4 mm | 1m = 3.28 ft | 1 lbs = 0,453 kg

- Tüv certification only valid for loading table above.
- Loading figures are only valid for static loads.
- Loading figures are only valid for single spans with supports at both ends.
- All static systems, other than single spans, need an individual structural calculation. Please contact a structural engineer or Polyte Group for assistance.
- Loading figures are calculated according to and in full compliance with European standards (Eurocode).
- The self-weight of the trusses is already taken into account.
- Loading figures are only valid for the cross sectional orientation of the truss as shown by the icon in the loading table.
- The interaction between bending moment and shear force at the connection point is already taken into account.
- Truss spans can be assembled from different truss lengths.
- Read the manual before assembling, using and loading the truss.



## LOADING TABLE: H40V

H40V - Allowable Loading																
SPAN		Uniformly Distributed Load		DEFLECTION		MAXIMUM ALLOWABLE POINT LOADS										SPAN
		UDL				CPL		DEFLECTION		TPL		QPL		FPL		
m	ft	kg/m	lbs/ft	mm	inch	kgs	lbs	mm	inch	kgs	lbs	kgs	lbs	kgs	lbs	total weight
3	9,8	835,4	562,1	7	0,3	2198,9	4853,1	6	0,2	1253,2	2765,8	835,4	1843,8	626,6	1382,9	20,7
4	13,1	625,0	420,6	13	0,5	1712,4	3779,2	10	0,4	1215,1	2681,7	833,4	1839,3	625,0	1379,5	27,6
5	16,4	498,8	335,6	20	0,8	1435,8	3168,9	16	0,6	994,0	2193,8	815,2	1799,1	623,5	1376,0	34,5
6	19,7	414,6	279,0	29	1,1	1234,4	2724,4	23	0,9	851,7	1879,7	676,0	1492,0	529,7	1169,0	41,4
7	23,0	354,5	238,5	40	1,6	1080,9	2385,6	32	1,2	753,5	1663,0	585,0	1291,2	462,0	1019,6	48,3
8	26,2	277,5	186,7	52	2,0	959,8	2118,3	41	1,6	674,7	1489,0	514,7	1136,0	409,1	902,8	55,2
9	29,5	218,0	146,7	65	2,6	861,7	1901,7	52	2,1	609,9	1346,1	458,7	1012,3	366,4	808,7	62,1
10	32,8	175,4	118,0	81	3,2	780,4	1722,3	65	2,5	555,7	1226,4	412,9	911,3	331,2	731,0	69,0
11	36,1	143,9	96,8	98	3,8	711,8	1570,9	78	3,1	509,5	1124,6	374,7	827,0	301,7	665,8	75,9
12	39,4	119,9	80,7	116	4,6	653,1	1441,4	93	3,7	469,7	1036,7	342,3	755,5	276,5	610,2	82,8
13	42,6	101,2	68,1	137	5,4	602,2	1328,9	109	4,3	435,0	960,0	314,4	693,9	254,7	562,1	89,7
14	45,9	86,4	58,2	158	6,2	557,5	1230,3	127	5,0	404,3	892,3	290,1	640,3	235,6	519,9	96,6
15	49,2	74,5	50,1	182	7,2	517,9	1143,0	146	5,7	377,0	832,1	268,8	593,1	218,7	482,7	103,5
16	52,5	64,7	43,5	207	8,1	482,5	1064,9	166	6,5	352,5	778,0	249,8	551,2	203,7	449,6	110,4
17	55,8	56,6	38,1	234	9,2	450,7	994,7	187	7,4	330,4	729,2	232,7	513,7	190,2	419,7	117,3
18	59,0	49,8	33,5	262	10,3	421,8	931,0	210	8,3	310,3	684,8	217,4	479,7	178,0	392,8	124,2
19	62,3	44,1	29,7	292	11,5	395,5	872,8	233	9,2	291,9	644,1	203,4	448,9	166,8	368,2	131,1
20	65,6	39,2	26,4	323	12,7	371,3	819,5	259	10,2	274,9	606,7	190,7	420,8	156,6	345,7	138,0

1 inch = 25,4 mm | 1m = 3.28 ft | 1 lbs = 0,453 kg

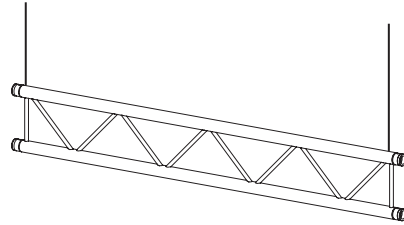
- Tüv certification only valid for loading table above.
- Loading figures are only valid for static loads.
- Loading figures are only valid for single spans with supports at both ends.
- All static systems, other than single spans, need an individual structural calculation. Please contact a structural engineer or Prolyte Group for assistance.
- Loading figures are calculated according to and in full compliance with European standards (Eurocode).
- The self-weight of the trusses is already taken into account.
- Loading figures are only valid for the cross sectional orientation of the truss as shown by the icon in the loading table.
- The interaction between bending moment and shear force at the connection point is already taken into account.
- Truss spans can be assembled from different truss lengths.
- Read the manual before assembling, using and loading the truss.



## LOADING TABLE: H40L

### H40L - Allowable Loading (Span supported on top chord.)

SPAN		Uniformly Distributed Load		DEFLECTION		CPL		DEFLECTION	
m	ft	kg/m	lbs/ft	mm	inch	kgs	lbs	mm	inch
1	3,3	1259,8	847,7	1	0,0	1259,8	2780,4	0	0,0
2	6,6	629,0	423,2	1	0,0	629,0	1388,2	1	0,0
3	9,8	253,0	170,2	2	0,1	380,0	838,7	1	0,1
4	13,1	105,0	70,7	2	0,1	210,0	463,5	2	0,1
5	16,4	52,0	35,0	3	0,1	130,0	286,9	2	0,1
6	19,7	24,0	16,1	3	0,1	72,0	158,9	2	0,1

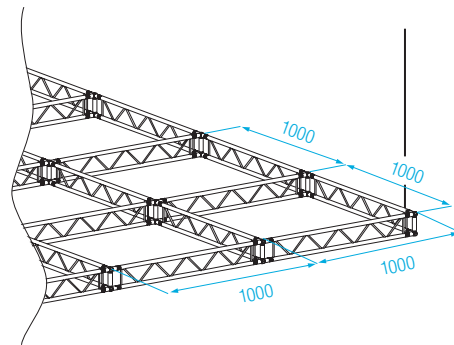


1 inch = 25,4 mm | 1 m = 3.28 ft | 1 lbs = 0,453 kg

Spans must be supported at each end.  
Loads must be suspended from bottom chord only.

### H40L - Allowable Loading (Top chord sideways supported each metre.)

SPAN		Uniformly Distributed Load		DEFLECTION		CPL		DEFLECTION	
m	ft	kg/m	lbs/ft	mm	inch	kgs	lbs	mm	inch
4	13,1	312,9	210,6	13	0,5	806,8	1780,5	10	0,4
5	16,4	249,8	168,1	20	0,8	682,7	1506,7	16	0,6
6	19,7	207,7	139,8	29	1,1	590,9	1304,1	23	0,9
7	23,0	173,4	116,7	40	1,6	520,2	1148,0	32	1,2
8	26,2	133,7	90,0	52	2,0	463,9	1023,7	41	1,6
9	29,5	106,0	71,3	65	2,6	417,9	922,4	52	2,1
10	32,8	85,8	57,7	81	3,2	379,7	838,0	65	2,5
11	36,1	70,8	47,6	98	3,8	347,3	766,5	78	3,1
12	39,4	59,2	39,9	116	4,6	319,5	705,1	93	3,7

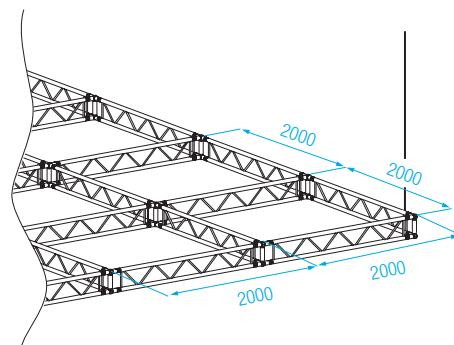


1 inch = 25,4 mm | 1 m = 3.28 ft | 1 lbs = 0,453 kg

Spans must be supported at each end.  
Loads must be suspended from bottom chord only.

### H40L - Allowable Loading (Top chords sideways supported every 2 metres.)

SPAN		Uniformly Distributed Load		DEFLECTION		CPL		DEFLECTION	
m	ft	kg/m	lbs/ft	mm	inch	kgs	lbs	mm	inch
4	13,1	156,2	105,1	4	0,1	312,5	689,6	3	0,1
5	16,4	99,0	66,6	6	0,2	247,5	546,3	5	0,2
6	19,7	67,9	45,7	8	0,3	203,8	449,8	7	0,3
7	23,0	49,2	33,1	11	0,4	172,2	380,0	9	0,3
8	26,2	37,0	24,9	14	0,6	148,1	326,9	12	0,5
9	29,5	28,7	19,3	18	0,7	129,1	285,0	15	0,6
10	32,8	22,7	15,3	23	0,9	113,6	250,8	18	0,7
11	36,1	18,3	12,3	27	1,1	100,7	222,3	22	0,9
12	39,4	15,0	10,1	33	1,3	89,8	198,1	26	1,0



1 inch = 25,4 mm | 1 m = 3.28 ft | 1 lbs = 0,453 kg

Spans must be supported at each end.  
Loads must be suspended from bottom chord only.

## APPENDIX B: CANTILEVER LOADING TABLES

### X30

X30D - Cantilever load		
$l_k$ (m)	P (kg)	q (kg/m)
0,5	633,5	1697,9
1,0	387,1	631,2
1,5	277,6	318,2
2,0	215,6	191,2
2,5	175,4	127,0
3,0	147,2	90,1

X30V - Cantilever load		
$l_k$ (m)	P (kg)	q (kg/m)
0,5	979,7	1959,4
1,0	767,8	977,4
1,5	574,5	611,6
2,0	457,9	380,9
2,5	379,6	259,9
3,0	323,4	188,4
3,5	280,8	142,5

### H30

H30D - Cantilever load		
$l_k$ (m)	P (kg)	q (kg/m)
0,5	837,8	1696,8
1,0	520,0	834,8
1,5	375,6	425,0
2,0	292,9	256,9
2,5	239,0	171,4
3,0	201,0	122,0

H30V - Cantilever load		
$l_k$ (m)	P (kg)	q (kg/m)
0,5	979,2	1958,3
1,0	979,2	976,3
1,5	769,9	649,0
2,0	617,2	485,3
2,5	513,9	347,2
3,0	439,2	252,8
3,5	382,5	191,9

### H40

H40D - Cantilever load		
$l_k$ (m)	P (kg)	q (kg/m)
0,5	1020,9	2182,2
1,0	670,0	1018,1
1,5	497,4	536,7
2,0	394,4	332,0
2,5	325,7	225,4
3,0	276,6	162,7
3,5	239,6	122,6
4,0	210,6	95,4

H40V - Cantilever load		
$l_k$ (m)	P (kg)	q (kg/m)
0,5	1259,6	2519,1
1,0	1256,5	1256,5
1,5	980,6	835,6
2,0	802,7	624,3
2,5	678,2	436,7
3,0	586,1	322,8
3,5	515,0	248,1
4,0	458,4	196,5





Prolyte Group HQ



Leek, Netherlands



info@prolyte.com