



DOUGHTY ENGINEERING LTD

# DATA SHEET

TITLE:  
Snap In Studs

PART NOS:  
G1168 - M12 x 30  
G1169 - M10 x 25

MATERIAL  
Stainless Steel

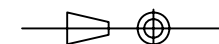
WEIGHT:  
n/a

SWL:  
n/a

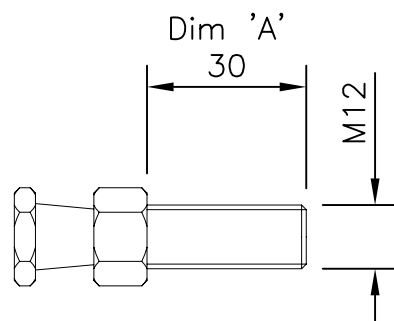
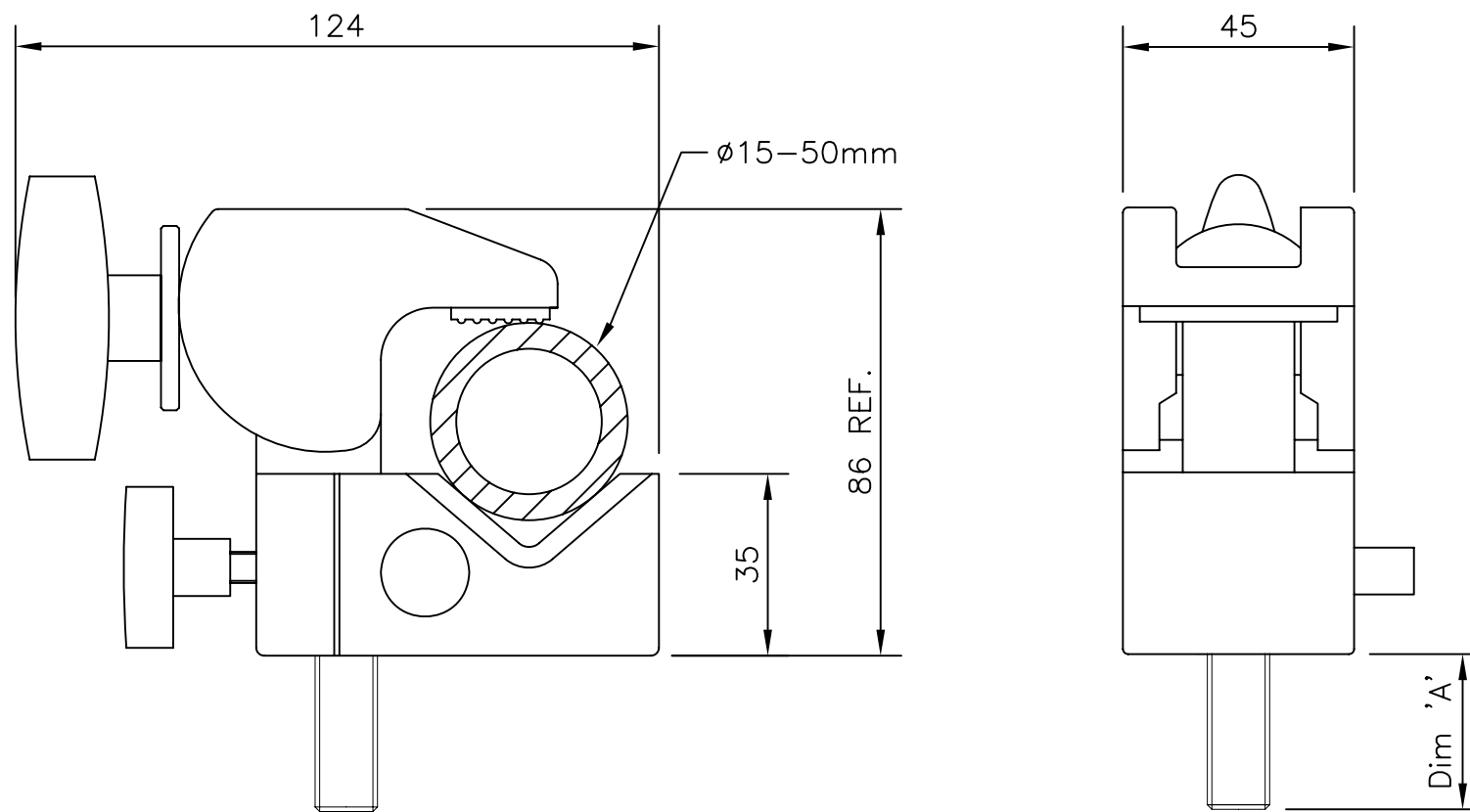
FINISH:  
Natural

NOTES:

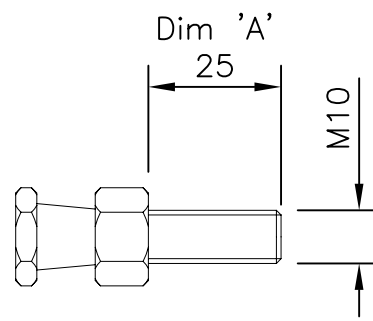
**STRICTLY  
FOR  
REFERENCE  
PURPOSES  
ONLY**



THIRD ANGLE PROJECTION



G1168



G1169