

**DOUGHTY**

DOUGHTY ENGINEERING LTD

Part No:

**T84225**

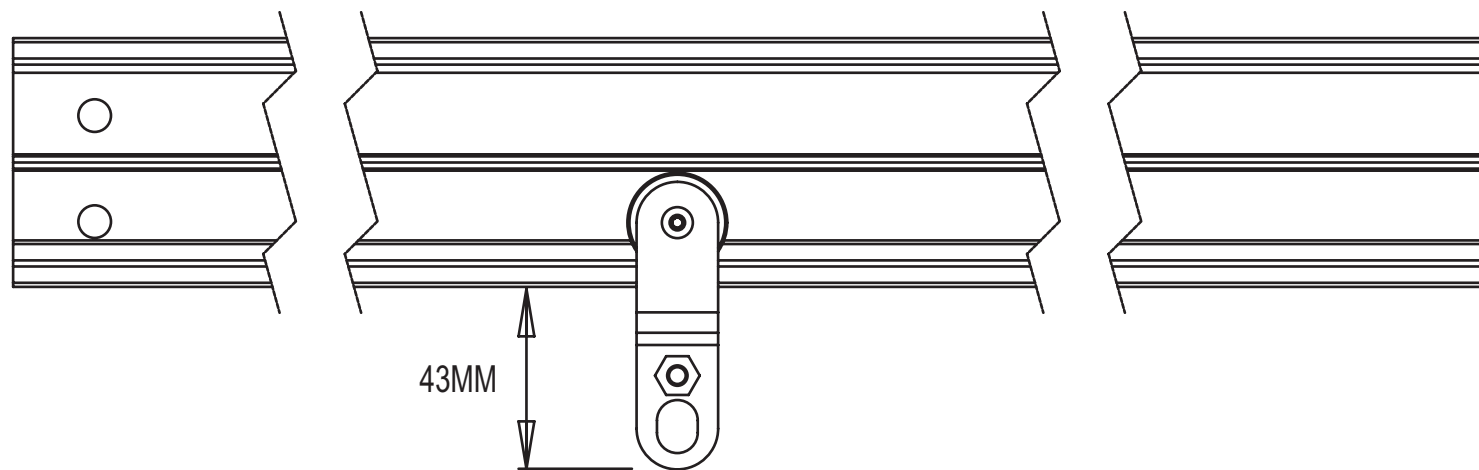
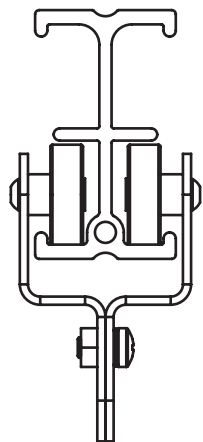
Description:

CURTAIN CARRIAGE

Weight:

0.90 Kg

**SWL: 6 KG**



**SWL = 6 KG PER CARRIAGE**  
**RECOMMENDED SPACING 300MM**