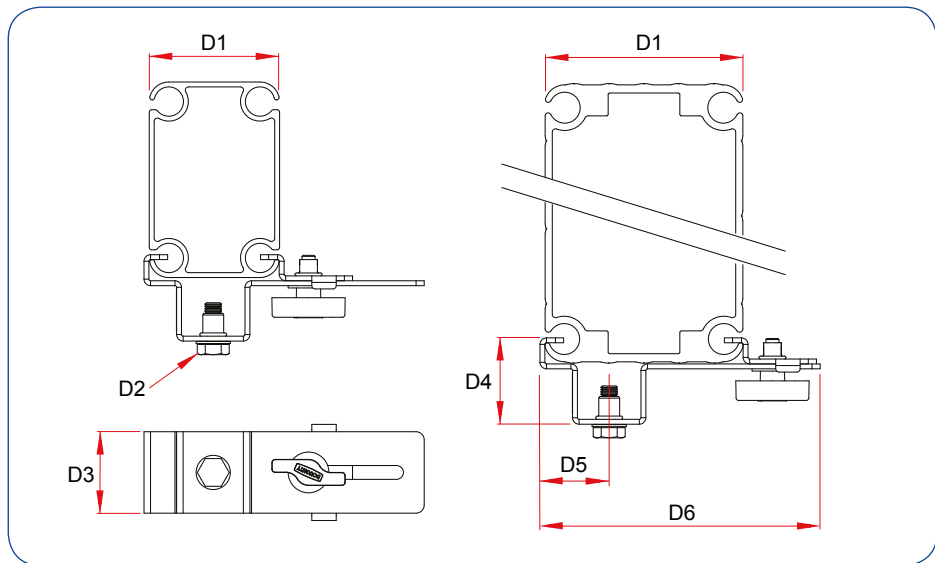


# Marquee Clamps

The range of Marquee Clamps are adjustable specifically designed for use with clear span marquees using grooved aluminium Kader style beams.



WLL 20 Kg



## Light Duty Marquee Clamp

	WLL	D1	D2	D3	D4	D5	D6	kg
T28865	20kg	80 - 125mm	M10	50mm	53mm	40mm	172mm	0.5kg