



# User Manual

## H Frames



Original Instructions



**Contents:**

Introduction..... 2

Exclusion of Liability ..... 2

Safety Instructions ..... 2

Assembly Examples ..... 4

Assembly ..... 5

Couplers ..... 6

Extensions..... 7

H frames..... 8

Tank Trap Adaptors..... 9

Connectors ..... 10

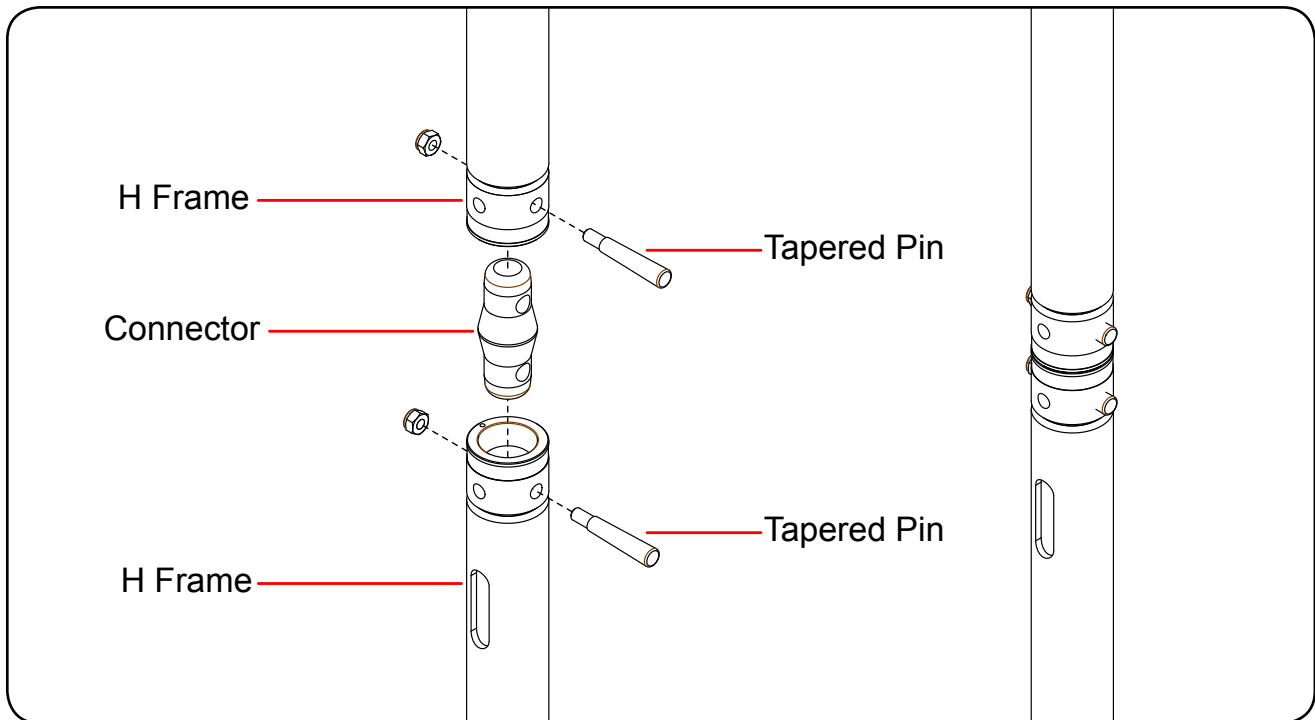
Maintenance ..... 11

Contact Details ..... 12

## Introduction

The H Frames are part of a system designed to provide a safe flexible rigging method for suspending luminaires from truss or fixed tubes and barrels. This system can also be used with our Tank Traps to create a floor standing system.

Using the popular conical truss connection method, parts from this range can be quickly assembled in a variety of configurations.



## Exclusion of Liability

Using this product for any purpose other than that described in this manual is considered contrary to its designated use and the manufacturer cannot be held liable for any damage resulting from such use.

## Safety Instructions

1. Each component has been load tested, care must be taken not to exceed the SWL of the component or the SWL of the assembled structure.
2. It is recommended that Safety Bonds are used with this equipment. When Safety Bonds are used the user is responsible for:
  - i) Ensuring the Safety Bond is of optimum length, i.e. in the event of failure, the 'drop' distance is kept as short as possible.
  - ii) Ensuring the Safety Bond is attached so that the mounting points are of sufficient strength to withstand the forces imposed by the falling load.

**Safety Bonds**

Doughty Engineering recommends the use of safety bonds when using the H frame range.

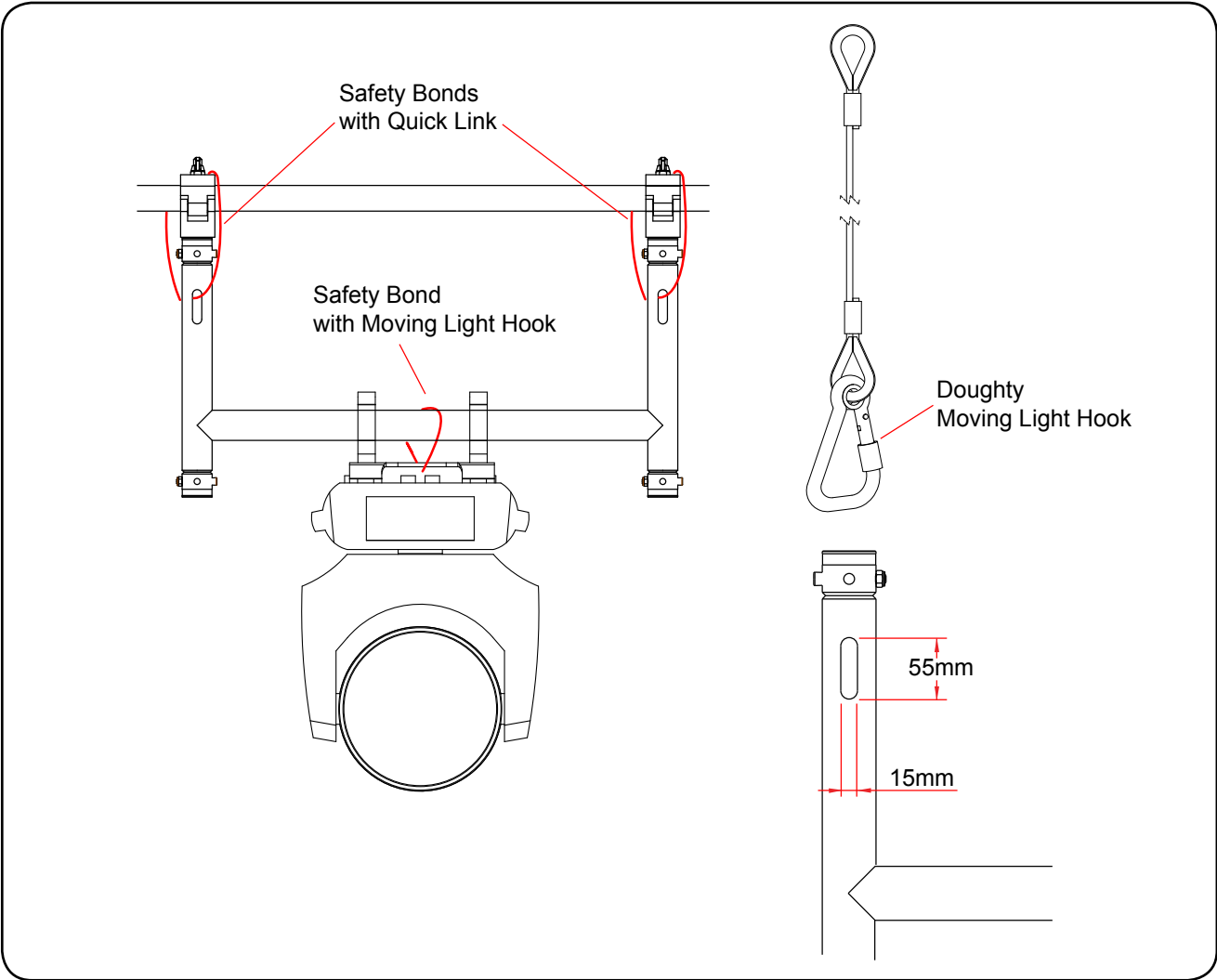
It is recommended that a bond is used between the truss/barrel and between the luminaire and the bottom of H Frame. Safety bonds are not required at each joint.

Slots are provided in the H frame range are 50 x 15mm and are large enough to accept a moving light hook from our range of safety bonds.

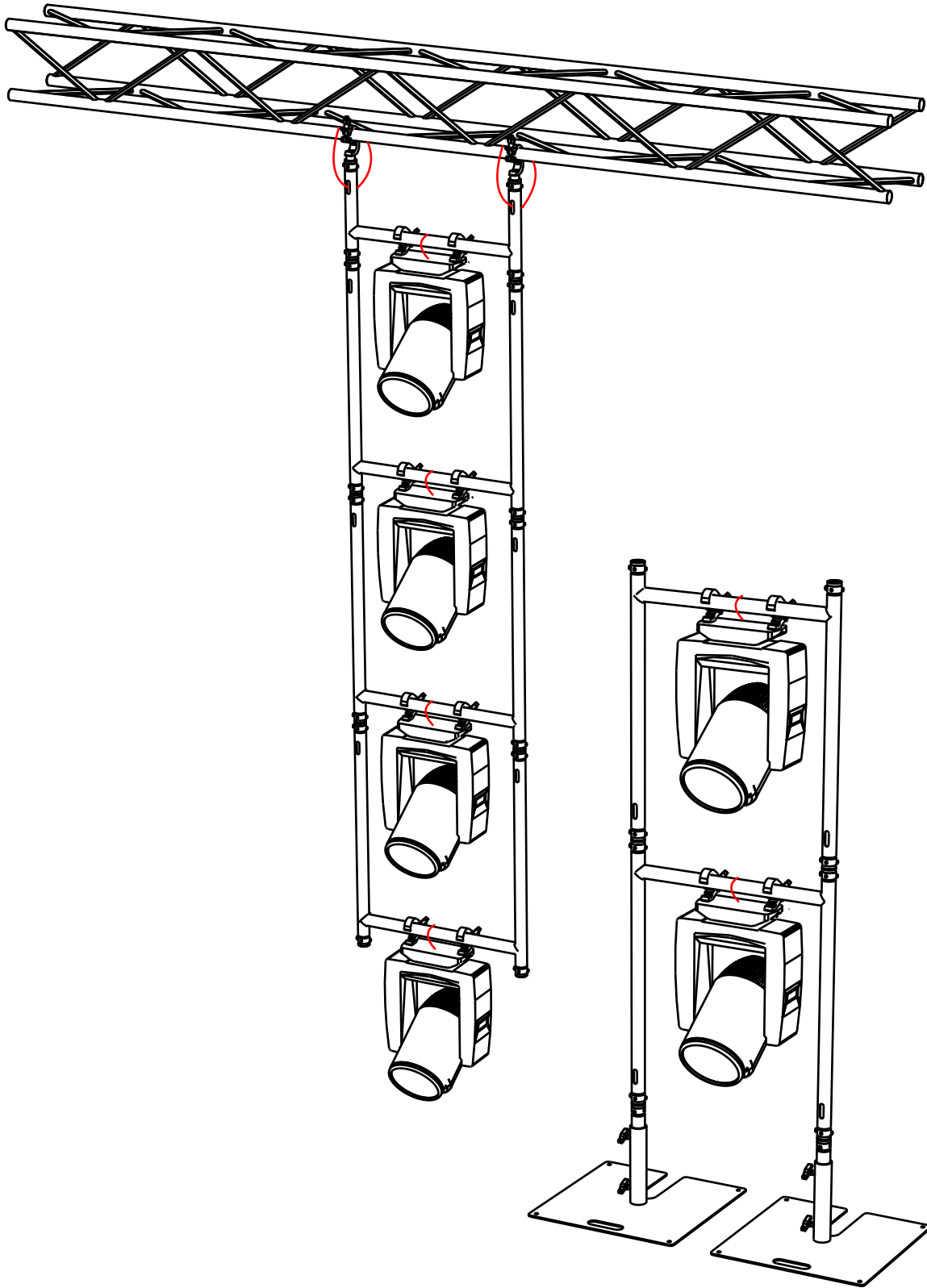
Care must be taken to ensure the safety bond used at the top is rated to the weight of the whole system not just the luminaire.

Doughty Engineering manufactures two bonds specifically for this system.

T45852	'H' Frame Safety Bond with Quick Link - Silver	SWL 200kg
T45853	'H' Frame Safety Bond with Quick Link - Black	SWL 200kg
T45855	Safety Bond with Moving Light Hook - Silver	SWL 36kg
T45856	Safety Bond with Moving Light Hook - Black	SWL 36kg



Assembly Examples



## Assembly

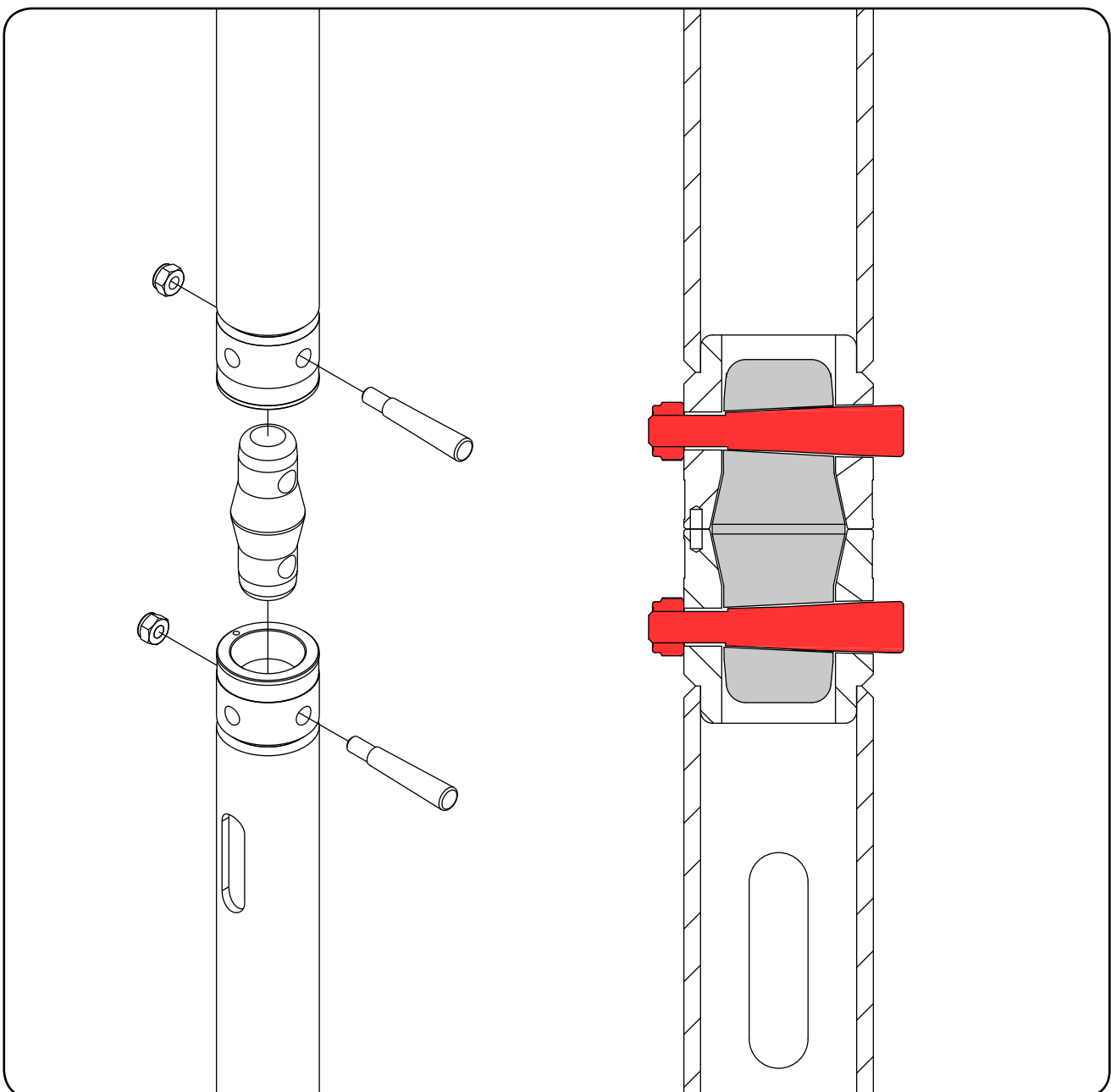
When assembling the H frame parts note the **pins and holes are all tapered**.

Care must be taken to ensure the tapered holes are positioned correctly to accept the tapered pins.

Two tapered holes are provided to allow the coupler/clamps to be positioned parallel or at 90 degrees.

It is common practice to use a nylon or copper hammer to assist the tapered pins.

Nyloc nuts should be replaced after each use/installation.

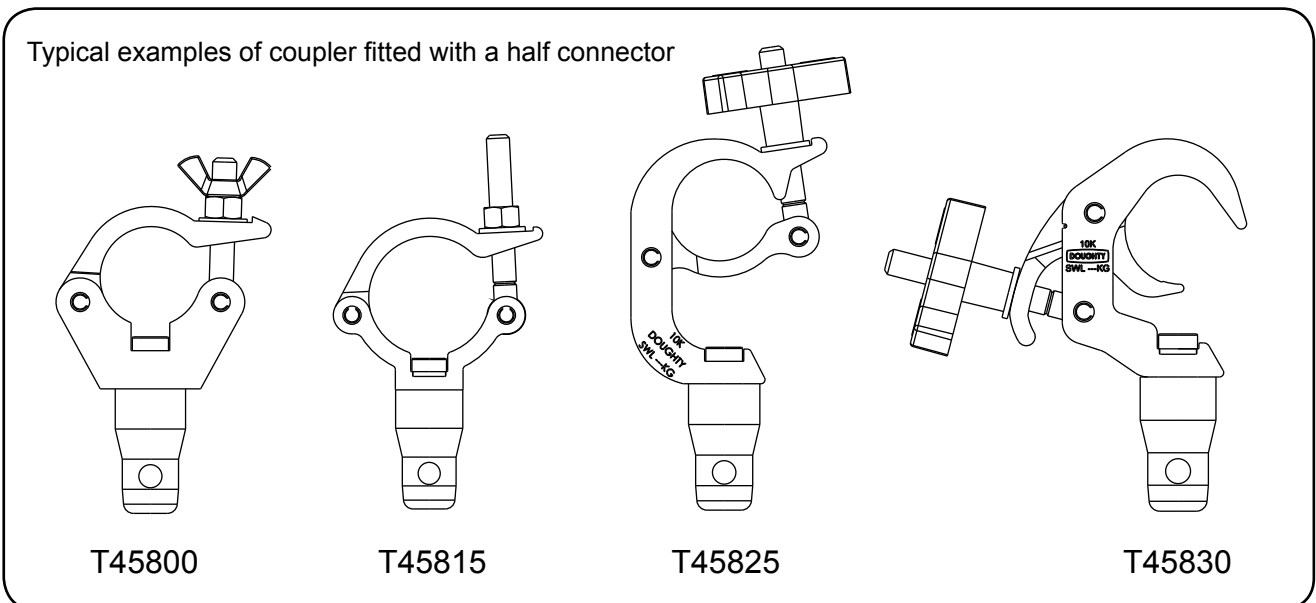


**Couplers**

Listed below is a range of clamps/couplers fitted with a connector enabling the H frames to be attached to the truss or pipe.

Part No	Description	Tube Diameter
T45800	T57000 with half connector - Silver	Ø 48 - 51mm
T45801	T57000 with half connector - Black	Ø 48 - 51mm
T45810	T58600 with half connector - Silver	Ø 48 - 51mm
T45811	T58601 with half connector - Black	Ø 48 - 51mm
T45815	T58100 with half connector - Silver	Ø 48 - 51mm
T45816	T58101 with half connector - Black	Ø 48 - 51mm
T45820	T57400 with half connector - Silver	Ø 60 - 63mm
T45821	T57401 with half connector - Black	Ø 60 - 63mm
T45825	T58860 with half connector - Silver	Ø 48 - 51mm
T45826	T588601 with half connector - Black	Ø 48 - 51mm
T45830	T58300 with half connector - Silver	Ø 38 - 51mm
T45831	T58301 with half connector - Black	Ø 38 - 51mm
T45835	T58500 with half connector - Silver	Ø 48 - 80mm
T45836	T58501 with half connector - Black	Ø 48 - 80mm

Other combinations are available - contact [sales@doughty-engineering.co.uk](mailto:sales@doughty-engineering.co.uk) for details



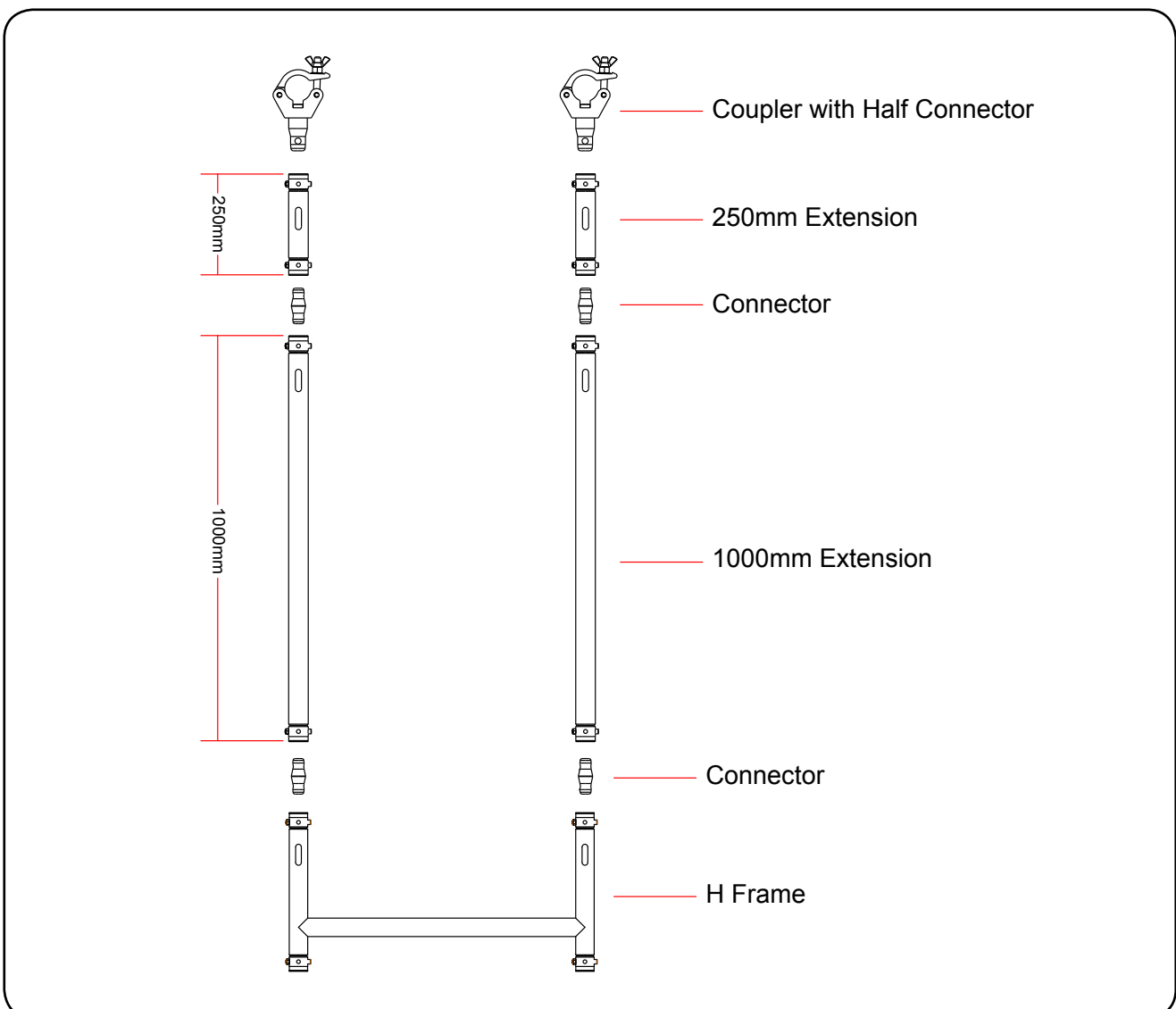


## Extensions

Extensions are available to extend an assembly. Slots are provided for Safety Bonds.

Extensions are supplied with 2 x tapered pins and nyloc nuts.

T45775	250mm Extension - Silver	SWL 100kg
T45776	250mm Extension - Black	SWL 100kg
T45780	500mm Extension - Silver	SWL 100kg
T45781	500mm Extension - Black	SWL 100kg
T45785	1000mm Extension - Silver	SWL 100kg
T45786	1000mm Extension - Black	SWL 100kg
T45790	2000mm Extension - Silver	SWL 100kg
T45791	2000mm Extension - Black	SWL 100kg

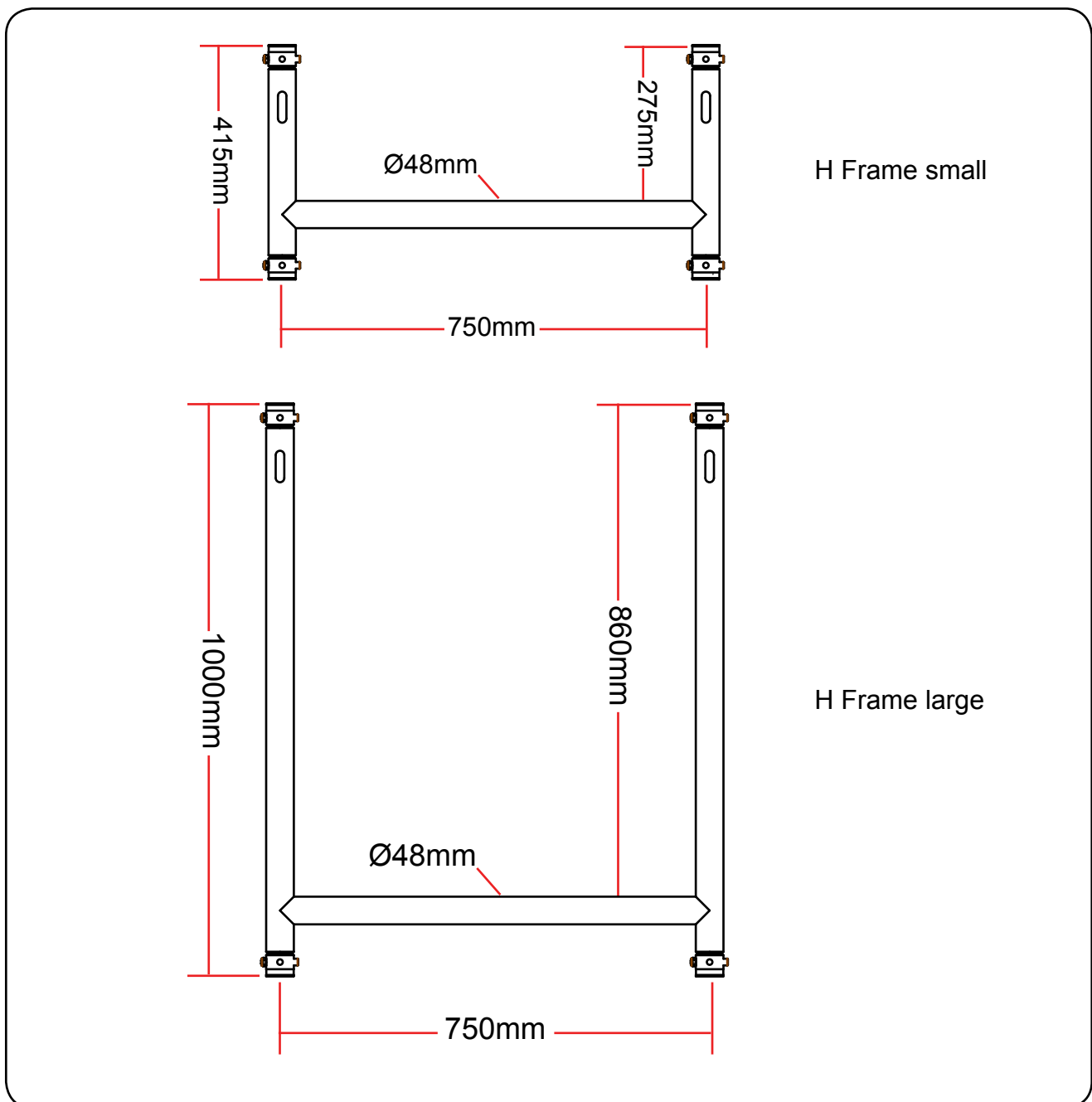


**H Frames**

The H Frames have been designed in two sizes: and can connected to make a ladder assembly. Slots are provided for Safety Bonds.

T45900	H Frame small - Silver	SWL 200kg
T45901	H Frame small - Black	SWL 200kg
T45910	H Frame large - Silver	SWL 200kg
T45911	H Frame large - Black	SWL 200kg

H Frames are supplied with tapered pins & nyloc nuts.



## Tank Trap Adaptors

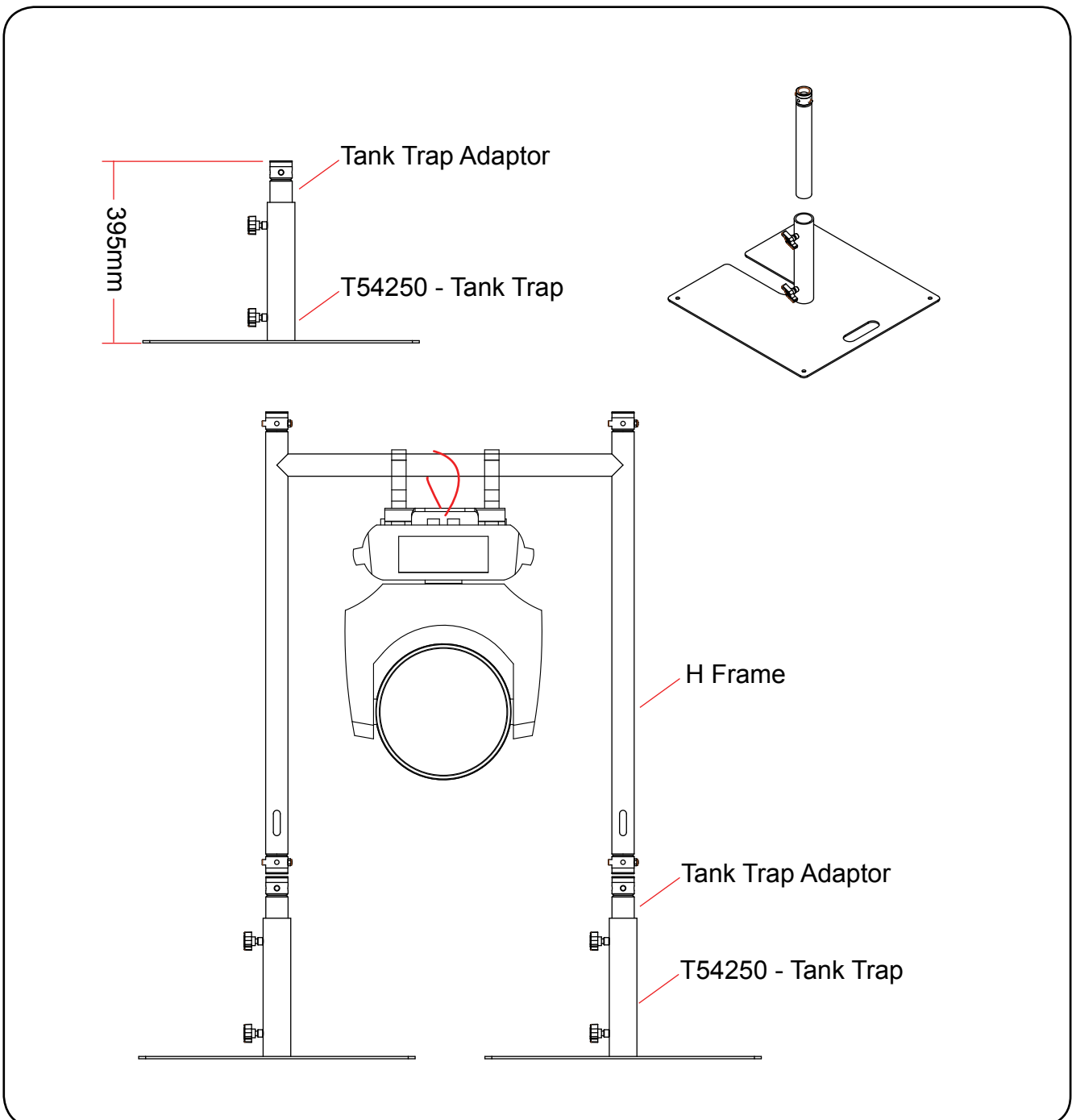
The Tank Trap adaptors enable a H frame to be floor mounted with a pair of Tank Traps

T45757 Tank Trap Adaptor - Silver

T45758 Tank Trap Adaptor - Black

T54250 Tank Trap

Tank Trap Adaptors are supplied with a tapered pin & nyloc nut.



**Connectors**

T45750

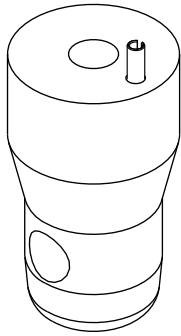
M12 Half Connector

T45755

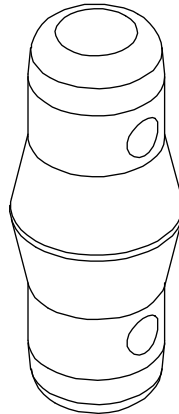
Full Connector

T45756

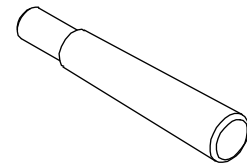
Tapered Pin & Nyloc Nut



T45750



T45755



T45756

## Maintenance

- Maintenance must only be carried out by approved personnel.
- Approved personnel must make regular checks of the product.
- If you see any damage including cracks, deformation or missing parts, the product must be removed from service and returned to an Approved Service Agent for evaluation/repair.
- A full list of approved service agents can be found on our website [www.doughty-engineering.co.uk](http://www.doughty-engineering.co.uk).
- Approved personnel must carry out a visual and a function test before every usage.
- Approved personnel must carry out more detailed inspection and testing of the product on a regular basis depending on the usage of the product.
- Written records should be kept from the date the product was put into operation.



### Warning

- The installer/operator must read and understand the Instruction Manual before using the equipment.
- Operators shall be adequately instructed and fully understand the safe use of the equipment before use.
- Failure to carry out maintenance as necessary, including the replacement of parts to the correct standard could render this equipment unsafe and the manufacturer cannot accept any responsibility in this respect.
- Only use approved spare parts.
- Do not modify the equipment as this could lead to a critical failure.
- Do not use this equipment for a purpose for which it is not intended. This could lead to a failure of the equipment and a risk of falling objects.



**Doughty Engineering Ltd**

Crow Arch Lane

Ringwood, Hampshire, BH24 1NZ

Tel: +44 (0) 1425 478961 Fax: +44 (0) 1425 474481

email: [sales@doughty-engineering.co.uk](mailto:sales@doughty-engineering.co.uk)

Web: [www.doughty-engineering.co.uk](http://www.doughty-engineering.co.uk)

Note: Whilst every effort has been made to ensure that the information contained within this manual is correct, Doughty Engineering does not accept any liability for errors or omissions. Specifications and technical data are intended for guidance purposes only and may vary.