



DOUGHTY ENGINEERING LTD

DATA SHEET

TITLE: CLAW CLAMP

PART NOS:
 T58756 T58760
 T58757 T58761
 T58758 T58762
 T58759 T58763

MATERIAL: ALUMINIUM

WEIGHT: 0.39 KG

SWL:

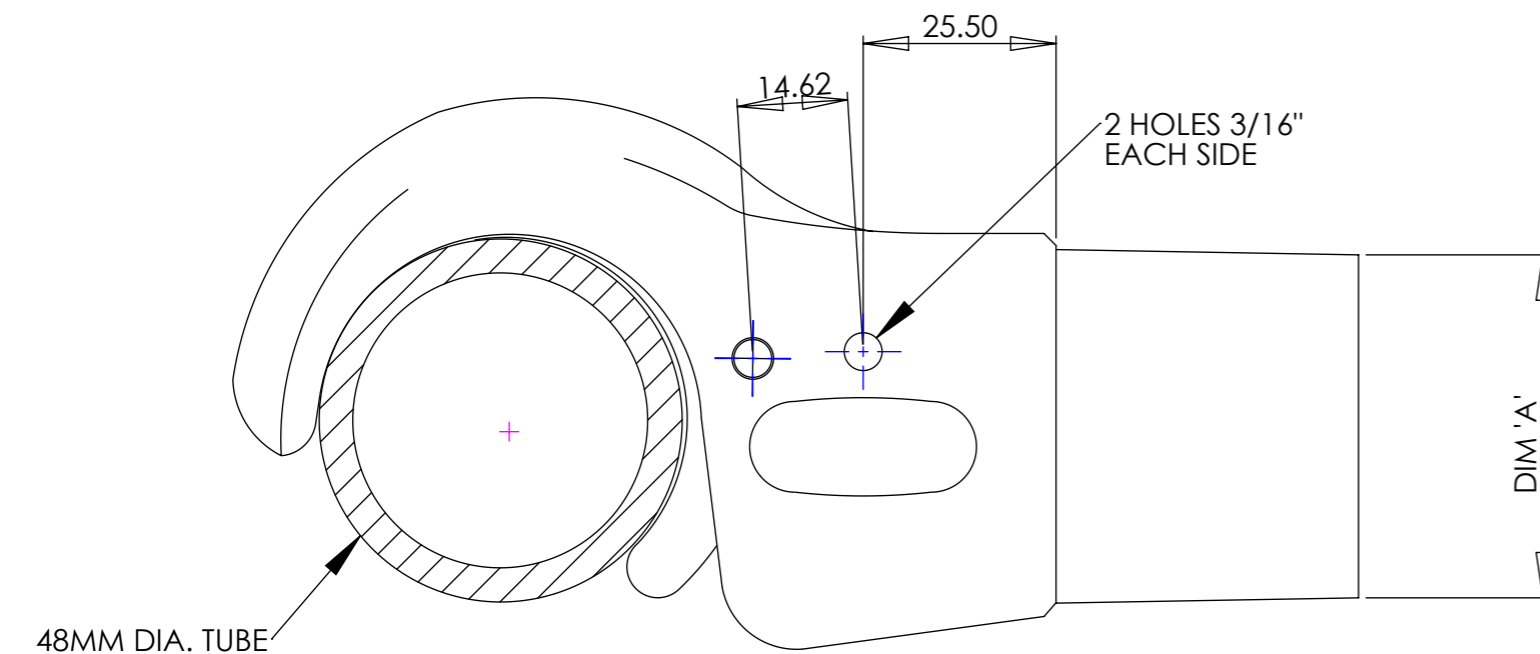
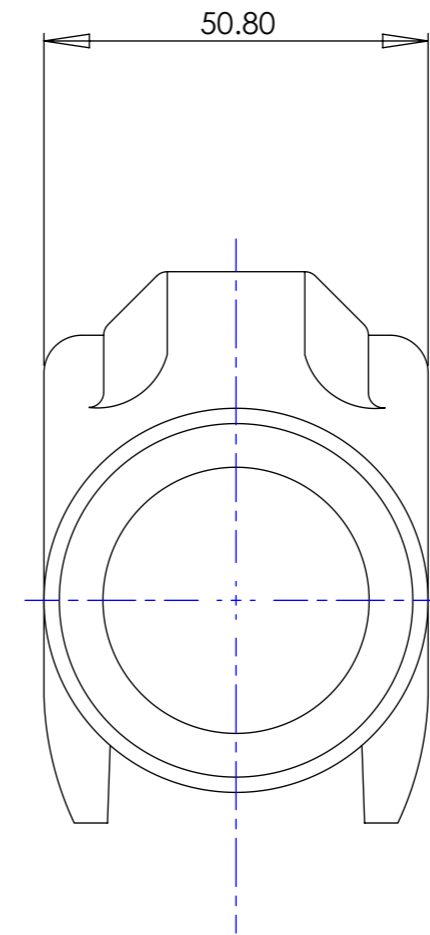
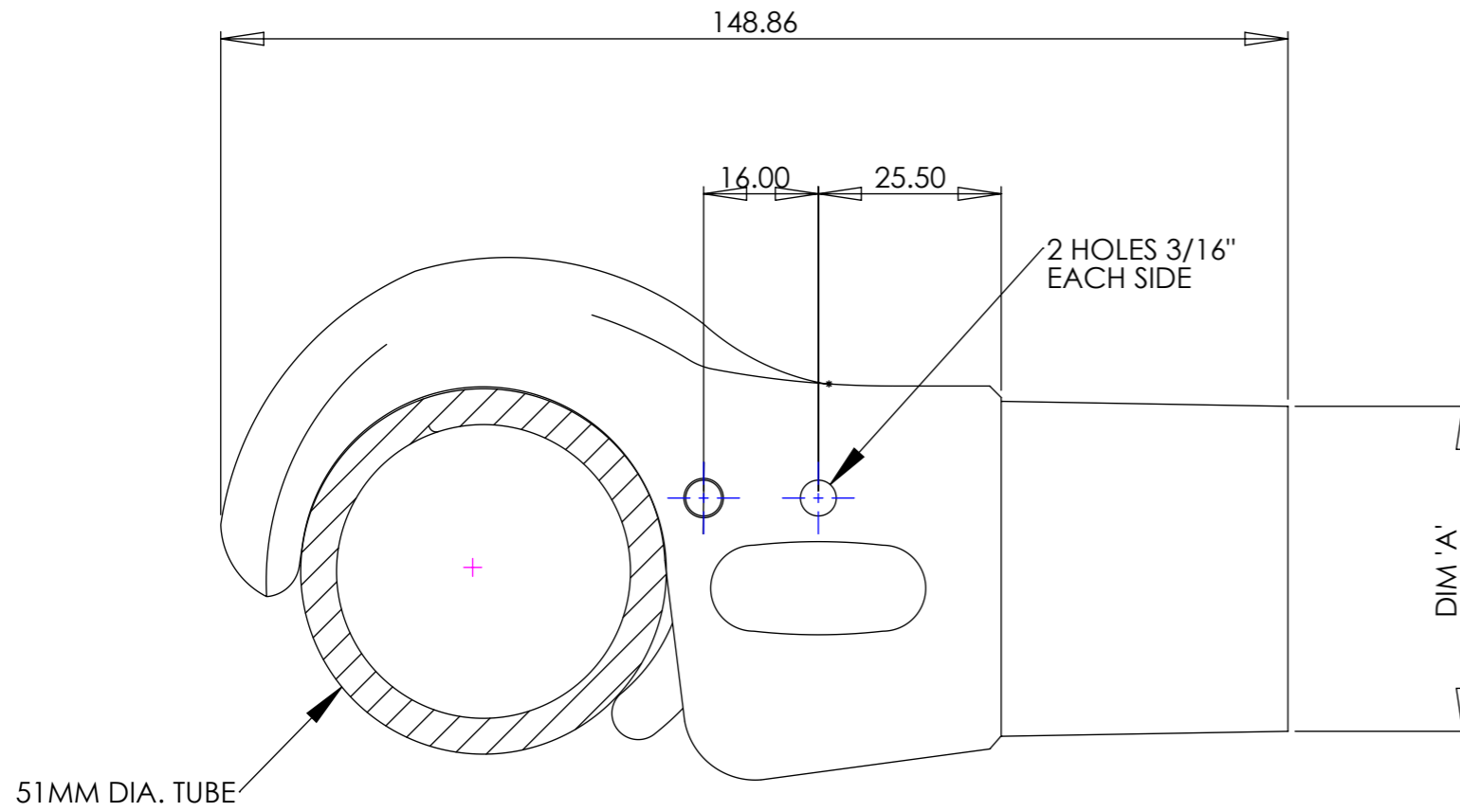
FINISH: NATURAL

NOTES:
SUITABLE FOR WELDING ONLY

STRICTLY FOR REFERENCE PURPOSES ONLY



THIRD ANGLE PROJECTION



NOTE:
3/16" HOLE POSITIONS IN THIS VIEW
ARE APPLICABLE TO DIA. 48 BARREL ONLY

PART NO.	TUBE SIZE	DIM 'A'
T58756	48mm	47.00mm
T58757	48mm	44.00mm
T58758	48mm	41.40mm
T58759	48mm	39.50mm
T58760	51mm	47.00mm
T58761	51mm	44.00mm
T58762	51mm	41.40mm
T58763	51mm	39.50mm