



DOUGHTY ENGINEERING LTD

DATA SHEET

TITLE:
DOUGHTY BIG BEN CLAMP - DIN

PART NOS:
T57226 - POLISHED
T5722601 - BLACK

MATERIAL :

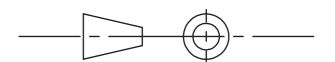
WEIGHT:
0.86 KG

SWL:
200 KG

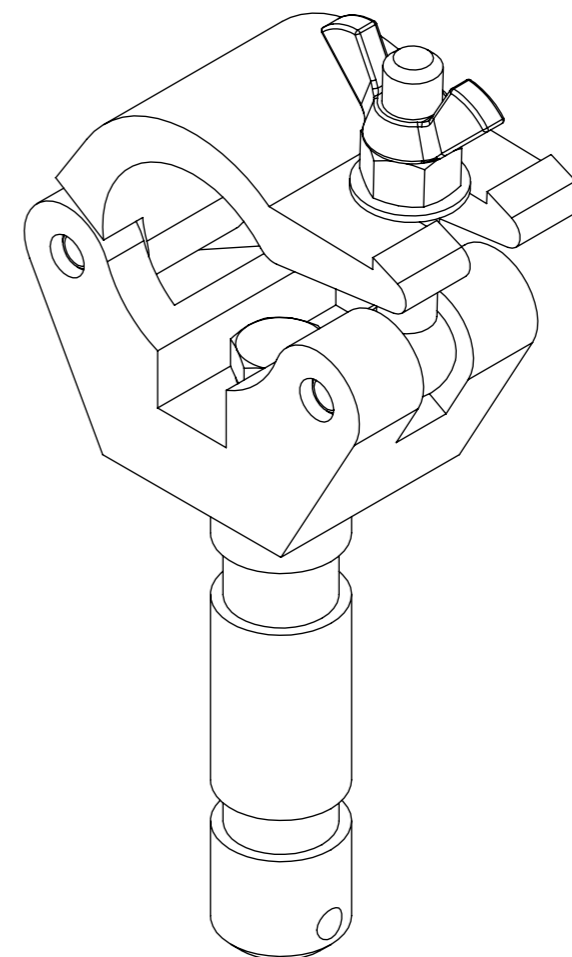
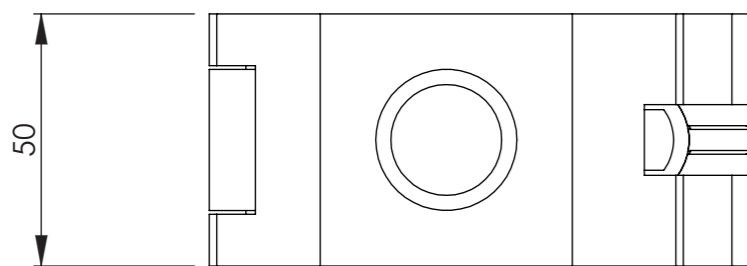
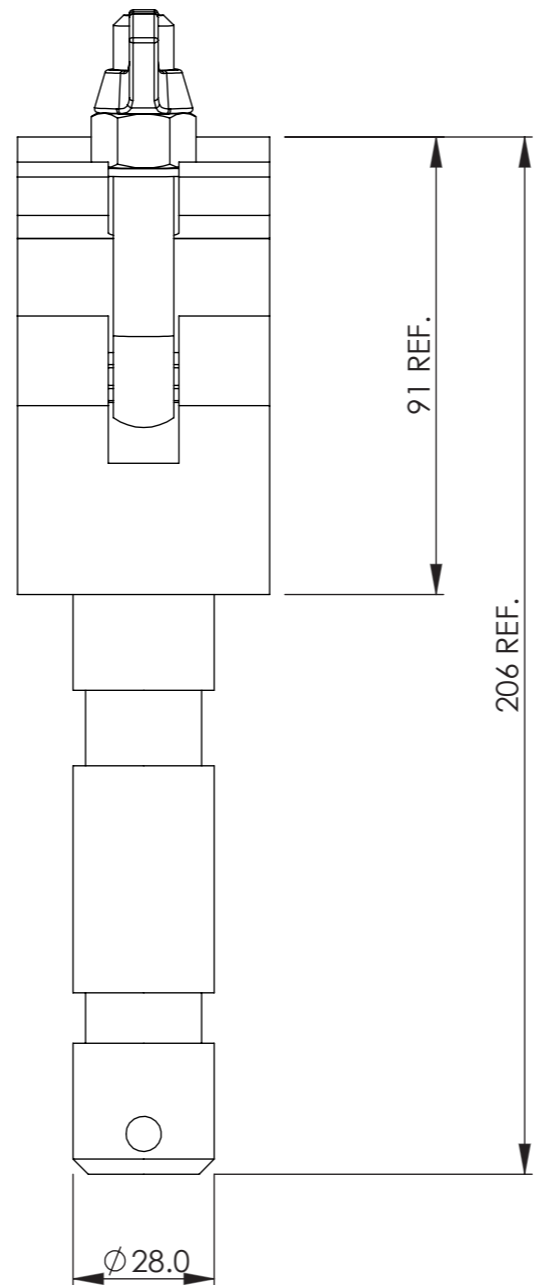
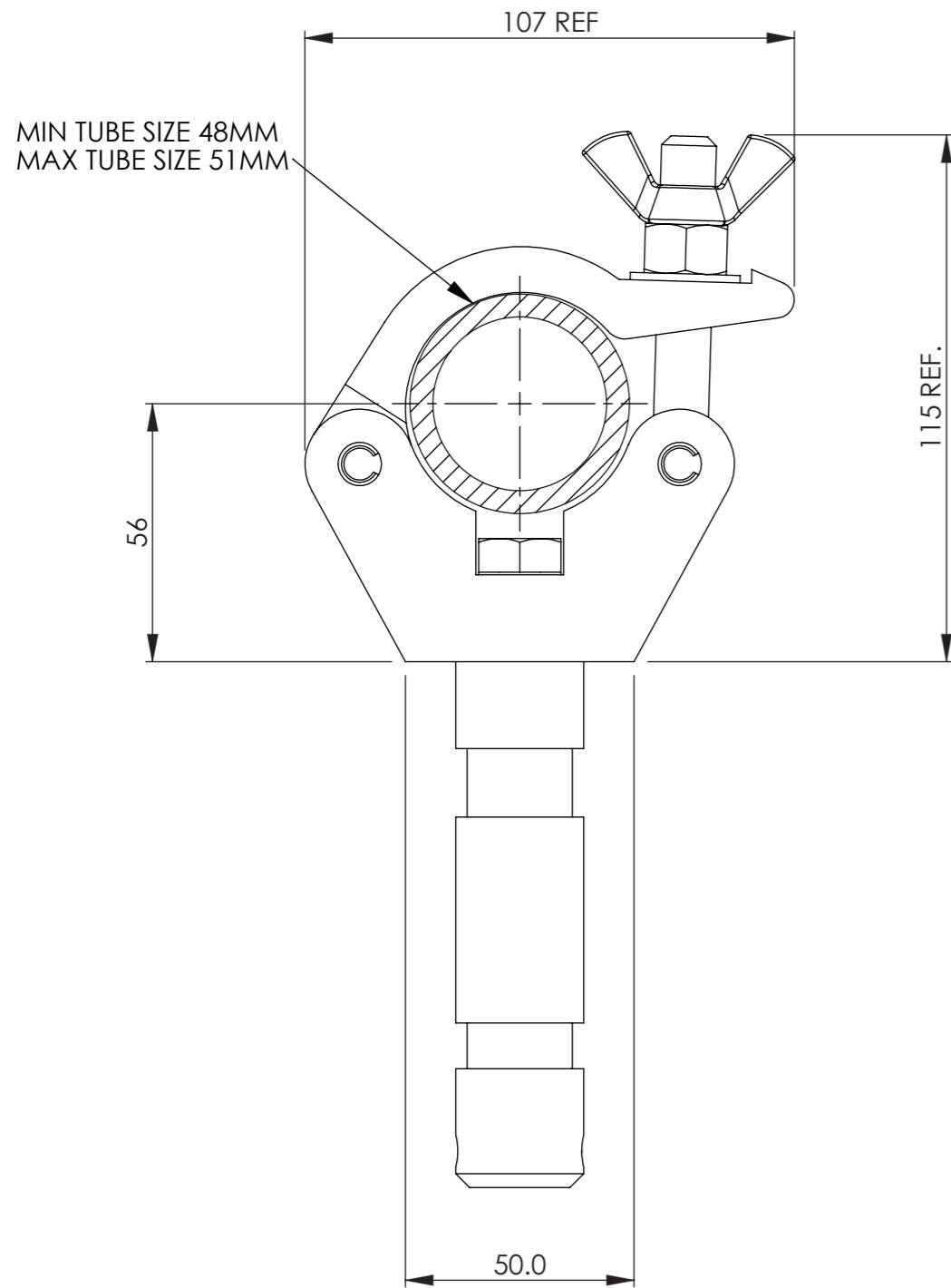
FINISH:

NOTES:
MIN TUBE SIZE - 48MM
MAX TUBE SIZE - 51MM

**STRICTLY
FOR
REFERENCE
PURPOSES
ONLY**



THIRD ANGLE PROJECTION





DOUGHTY ENGINEERING LTD

DATA SHEET

TITLE:
DOUGHTY BIG BEN CLAMP - EURO

PART NOS:
T57225 - POLISHED
T5722501 - BLACK

MATERIAL :

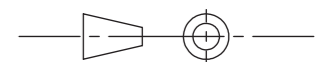
WEIGHT:
0.86 KG

SWL:
200 KG

FINISH:

NOTES:
MIN TUBE SIZE - 48MM
MAX TUBE SIZE - 51MM

**STRICTLY
FOR
REFERENCE
PURPOSES
ONLY**



THIRD ANGLE PROJECTION

