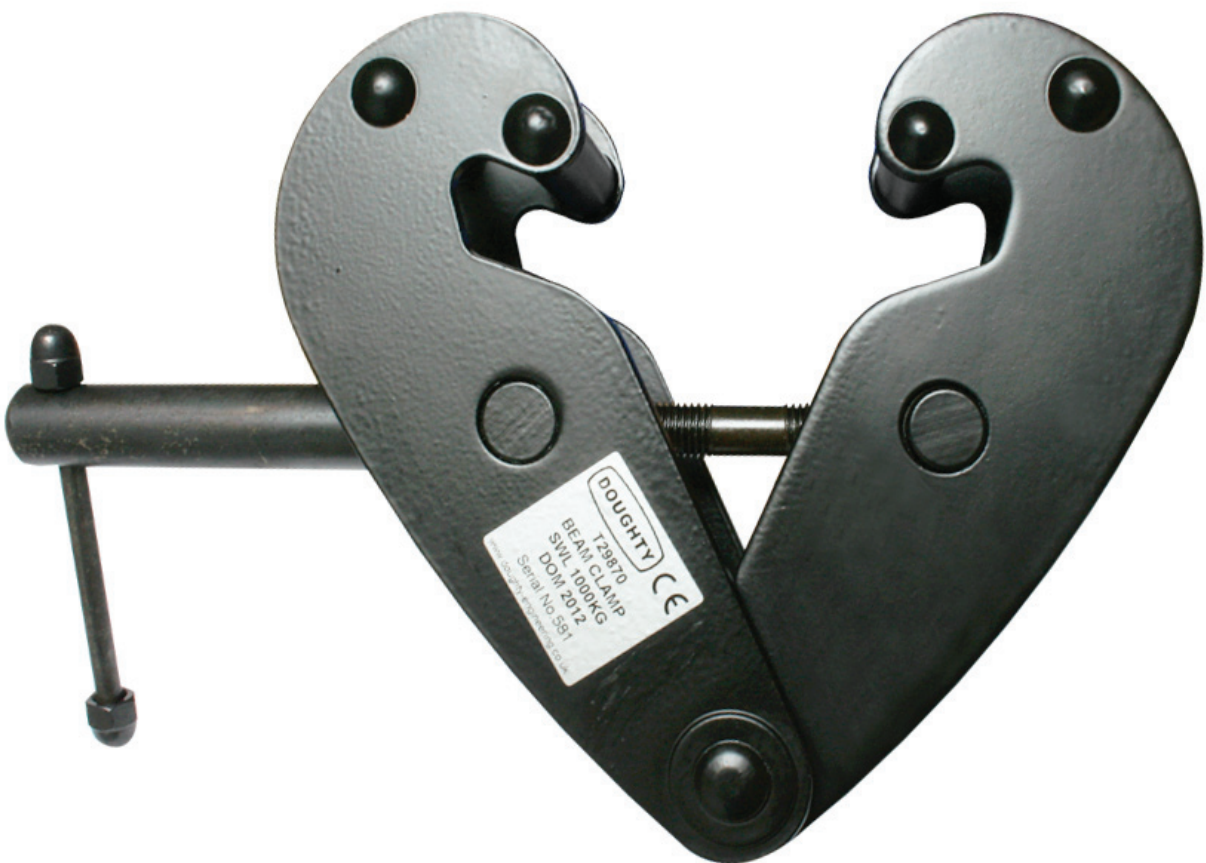




User Manual

T29870 Beam Clamp



Original Instructions

Introduction..... 2

Exclusion of Liability 2

Safety Instructions 2

Operation..... 3

Maintenance 4

Inspection 5

Declaration of Conformity 6

Contact Details 7

This User's Manual must be read by every user prior to commissioning.

The manual contains important advice for safe, appropriate and economic usage. Its attention will help prevent dangers and reduce downtimes as well as improve lifetime and reliability of the lifting equipment. This manual must always be available at the job site. Besides the manual and the rules valid in the country of use and the job site, also the regulations for safety related and professional usage have to be taken care of.

This product is designed specifically for professional use e.g. stage, theatre and events.

Exclusion of Liability

Using this product for any other purpose other than described in this Manual, is considered contrary to it's designated use and the manufacturer cannot be held liable for any damage resulting from such use.

Safety Instructions

Doughty Beam Clamps should only be used by qualified/competent personnel.

Before each use the device must be examined for wear or damaged.

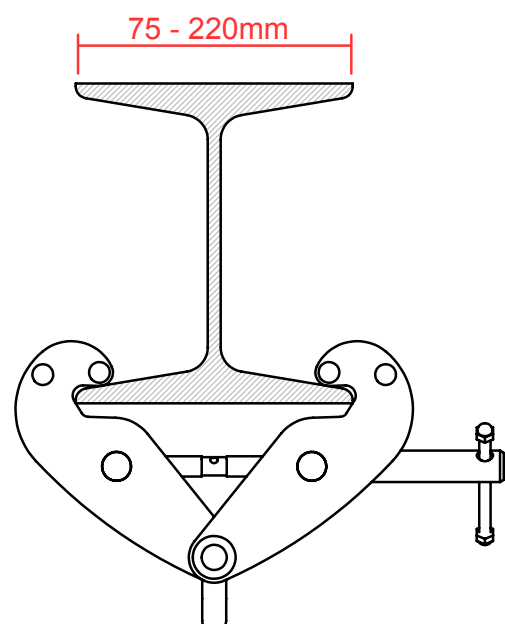
When using the Doughty Beam Clamp you must wear appropriate personal protective equipment suitable for the environment you are working in.

Never exceed the maximum load (MAX) or Safe Working Load (SWL) as indicated on the device and in this manual.

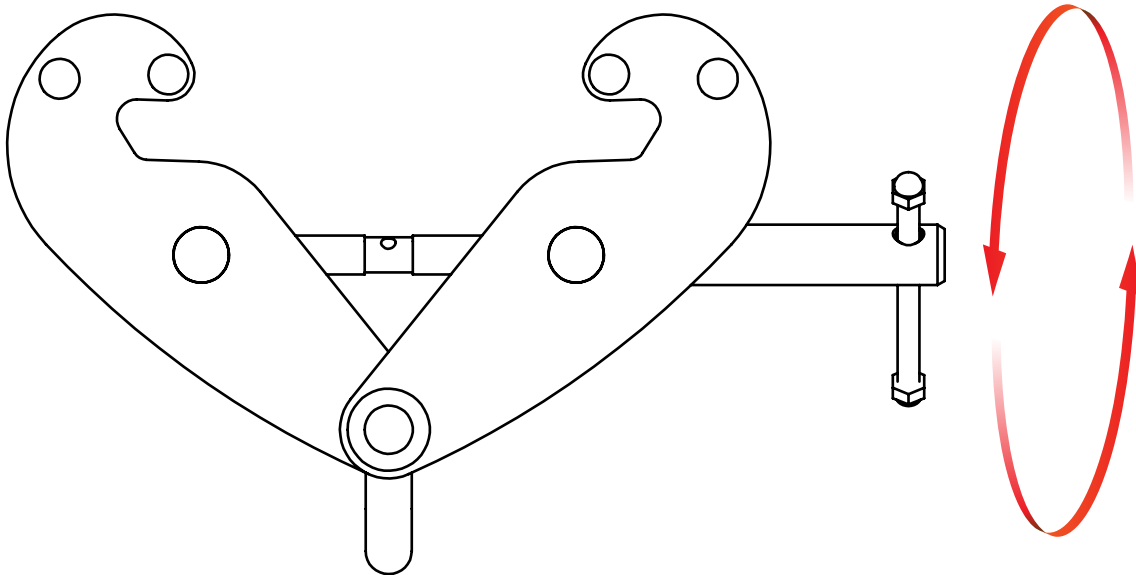
When used in conjunction with any other accessories, care must be taken to ensure the MAX/SWL of any component is not exceeded.

T29870 Doughty Beam Clamp

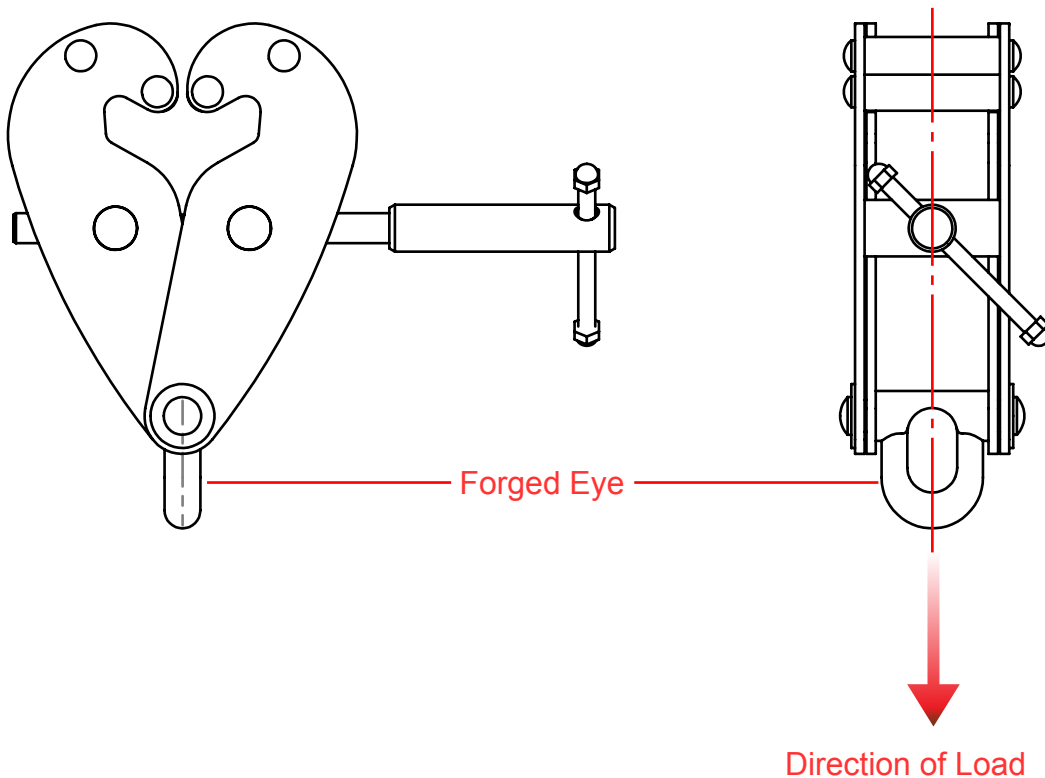
MAX/SWL = 1000Kg for use on beams 75 - 220mm.



The Beam Clamp is opened and closed by turning the threaded spindle. When securing the clamp to a beam the clamp must only be tightened by hand. The clamping jaws of the beam clamp must fully embrace the edges of the beam flange, in order to put the load points onto the surface of the beam flange.



Loads are attached to the forged eye and must be central to the clamp.



Maintenance

- Maintenance must only be carried out by approved personnel.
- Approved personnel must make regular checks to the product.
- If you see any damage including cracks, deformation or missing parts, the product must be removed from service and returned to Doughty Engineering Ltd for evaluation/repair.
- Approved personnel must carry out a visual and a function test before every usage.
- Approved personnel must carry out more detailed inspection and testing of the product on a regular basis depending on the usage of the product.
- Written records should be kept from the date the product was put into operation.



Warning

- The installer/operator must read and understand the Instruction Manual before using the equipment.
- Operators shall be adequately instructed and fully understand the safe use of the equipment before use.
- Failure to carry out maintenance as necessary could render this equipment unsafe and the manufacturer cannot accept any responsibility in this respect.
- Do not use this equipment for a purpose that it is not intended. This could lead to a failure of the equipment and a risk of falling objects.
- Do not use to lift personnel.
- Any alterations on the lifting device are not permitted.
- Welding operations on the lifting gear are prohibited.
- Do not use with swinging loads.
- Do not use in chemical environments.
- The device can be operated under environmental temperatures between -10°C and +50°C.



Doughty Engineering Limited

CROW ARCH LANE, RINGWOOD, HANTS, BH24 1NZ. ENGLAND

Telephone: +44 (0) 1425 478961 Fax: +44 (0) 1425 474481

www.doughty-engineering.co.uk

email:sales@doughty-engineering.co.uk

EC DECLARATION OF CONFORMITY

Doughty Engineering Limited hereby certify that the equipment stated below has been designed to comply with all relevant sections of the specifications referenced below and complies with all the applicable Essential Requirements of the EC Directives and amendments and the National Laws and Regulations adopting these Directives.

Description: Beam Clamp

Model/s: Part No. T29870

are in conformity with the provision of the following EC Directives:

2006/42/EC - Machinery Directive

Name: Stephen Wright

Position: Director

Being the responsible person appointed by the manufacturer.



DEQ 083 Rev 4

Company Registration No. London 972614
Registered Office: Crow Arch Lane, Ringwood, Hants, BH24 1NZ
Directors: M.B.Lister. J.C.G. Chiverton. S.C. Wright





Doughty Engineering Ltd

Crow Arch Lane

Ringwood, Hampshire, BH24 1NZ, ENGLAND

Tel: +44 (0) 1425 478961 Fax: +44 (0) 1425 474481

Email: sales@doughty-engineering.co.uk

Web: www.doughty-engineering.co.uk

Note: Whilst every effort has been made to ensure that the information contained within this manual is correct, Doughty Engineering does not accept any liability for errors or omissions. Specifications and technical data are intended for guidance purposes only and may vary.