



User Manual

www.doughty-engineering.co.uk

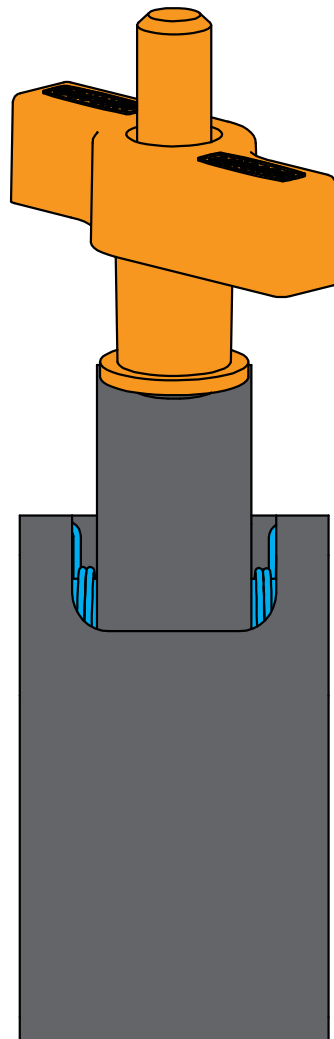
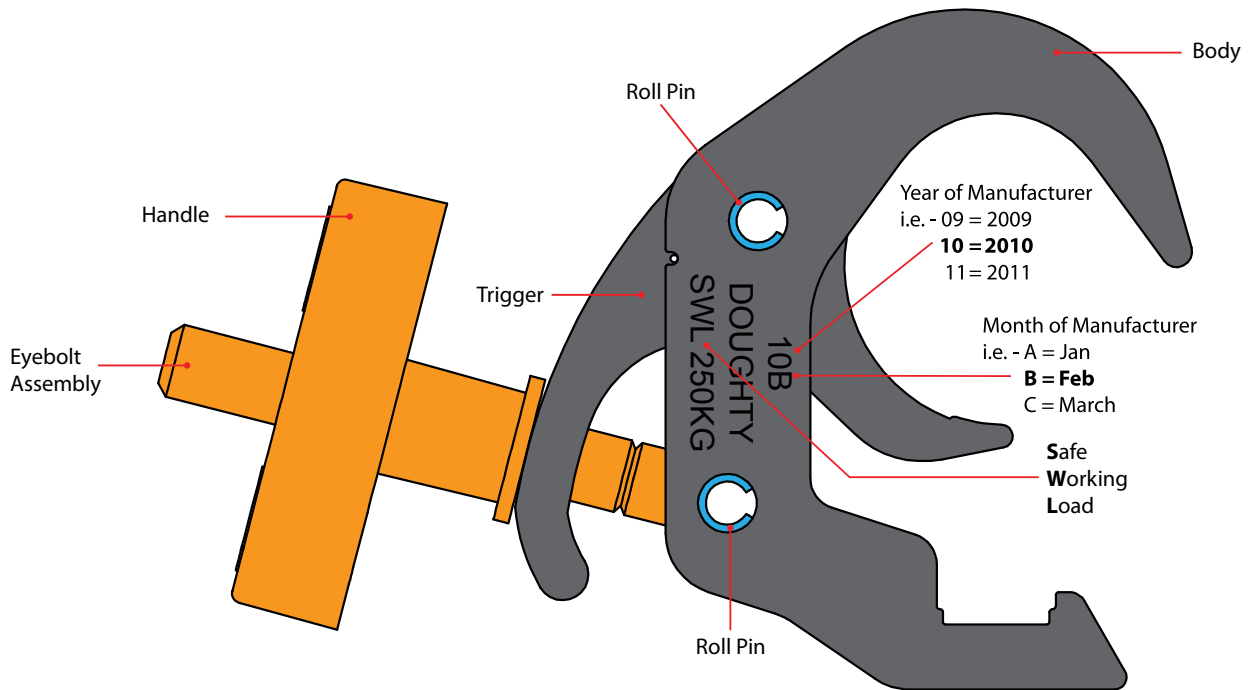
T58200 / T58201 Quick Trigger Basic Clamp



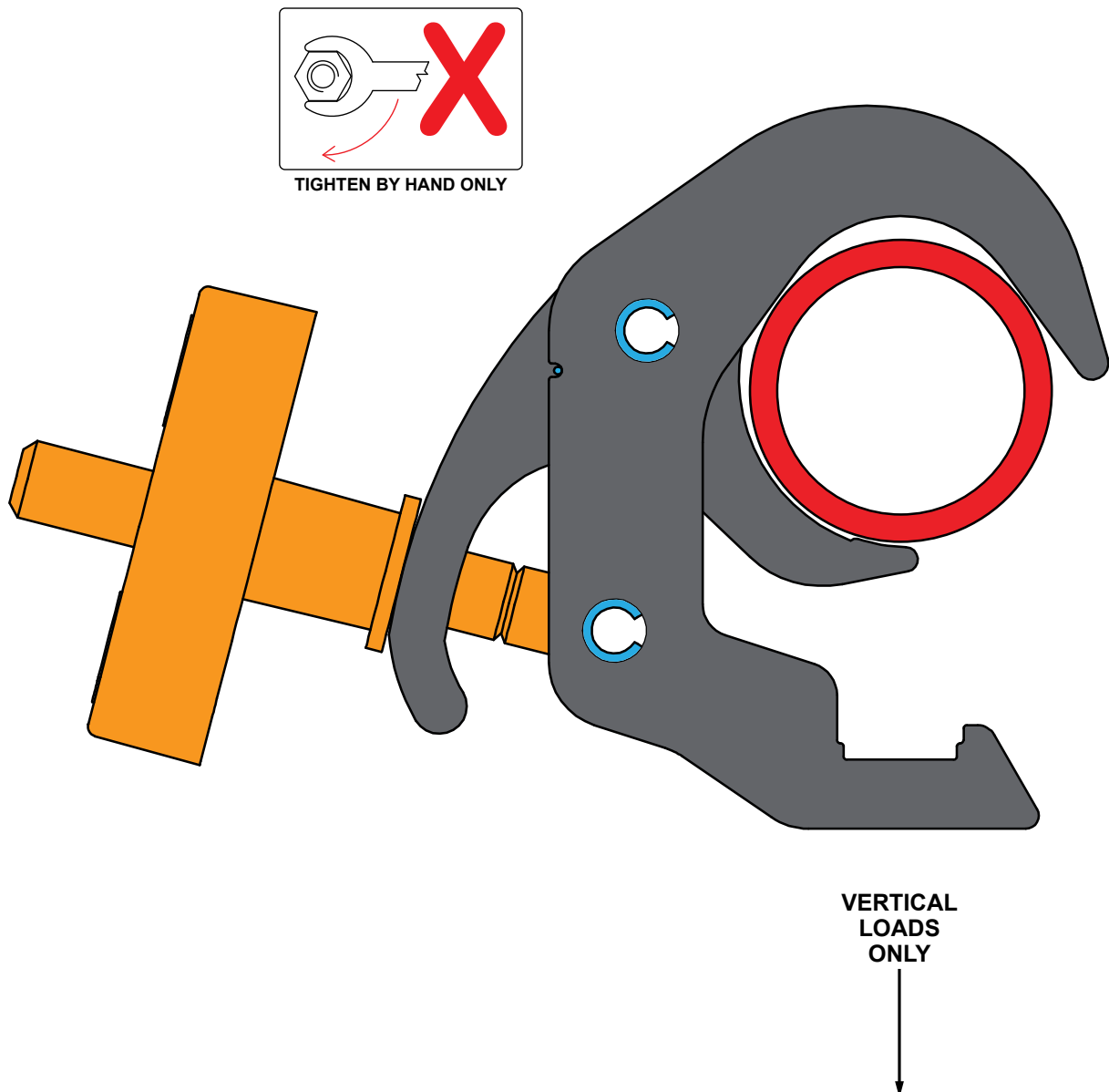
Version 10/11





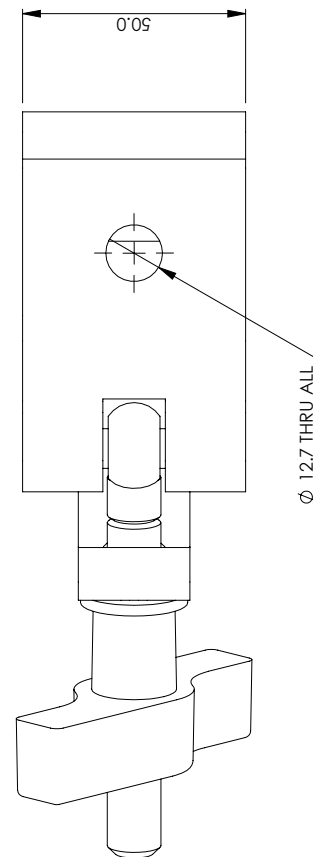
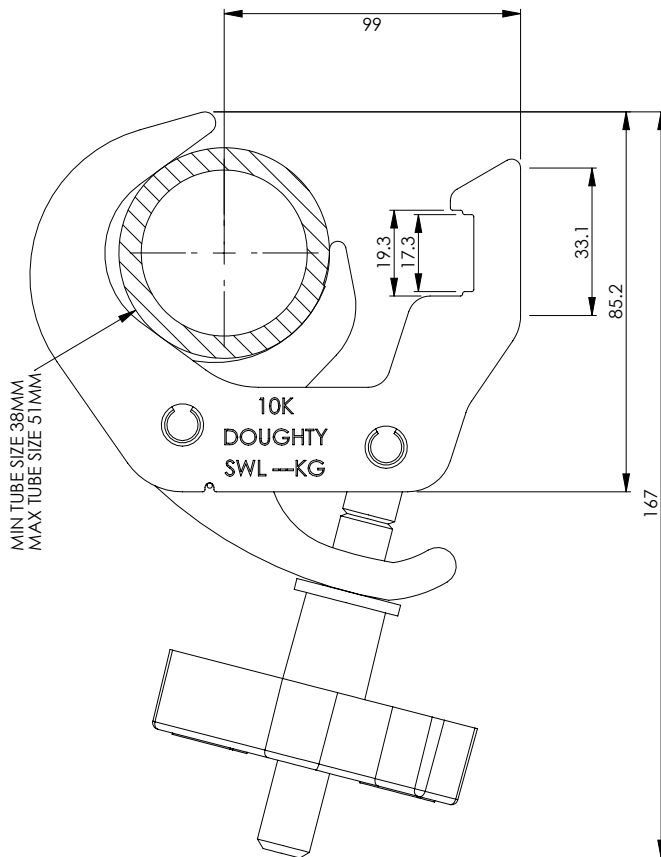
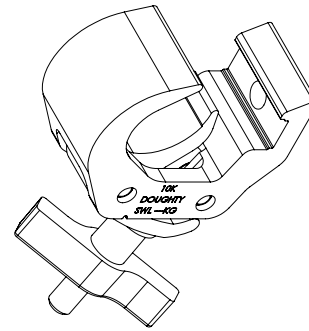
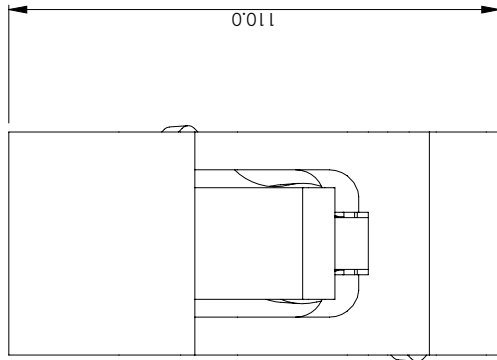
www.doughty-engineering.co.uk

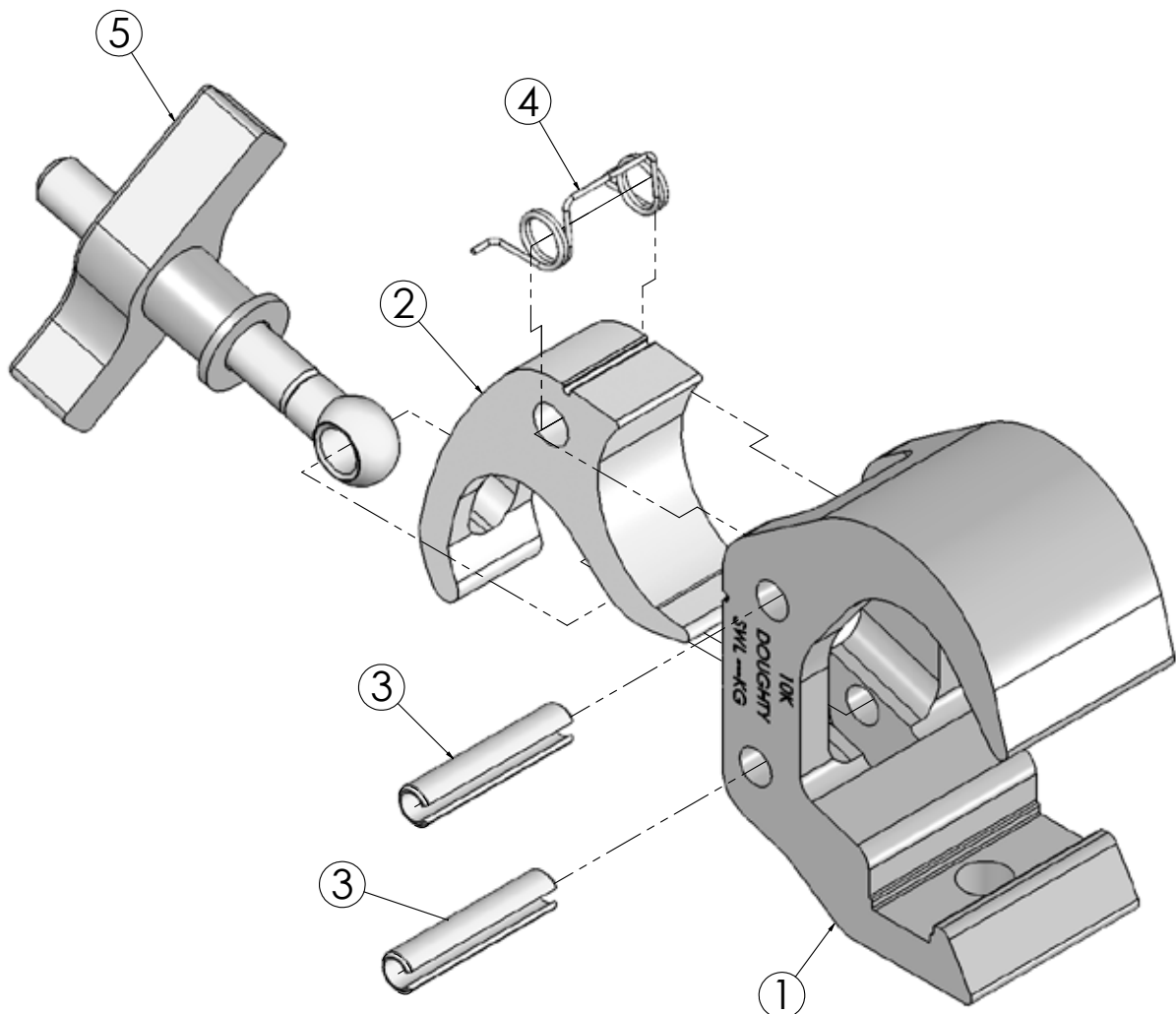


1. Never exceed the Safe Working Load (SWL) shown on the clamp.
2. Only use the clamp within the designed tube parameters (38-51mm)
3. All clamps should be visually inspected before use. In the event of any damage the clamp should be taken out of service and returned to an 'Approved Doughty Service Agent' for inspection. (see our dealer locator on our web site for a comprehensive list of Authorised Service Agents)
4. When used in conjunction with other accessories, care must be taken to ensure that the minimum SWL of any component is not exceeded.
5. Doughty Engineering Ltd does not recommend using any clamps which do not fully encompass the tube for overhanging. All open clamps including hook clamps should be used in a vertical orientation only.



 DOUGHTY ENGINEERING LTD	<h1>DATA SHEET</h1>
TITLE: BASIC QUICK TRIGGER CLAMP	PARTNOS: T58200 - SILVER T58201 - BLACK
MATERIAL : ALUMINIUM	WEIGHT: 0.76 KG
SWL: 250 KG	FINISH: T58200 - POLISHED T58201 - POWDER PAINTED BLACK
NOTES: MIN TUBE SIZE - 38MM MAX TUBE SIZE - 51MM	<h2>STRICTLY FOR REFERENCE PURPOSES ONLY</h2>
 THIRD ANGLE PROJECTION	





**DOUGHTY PRODUCTS MUST ONLY BE SERVICED / REPAIRED BY
AN AUTHORISED SERVICE AGENT.
SPARE PARTS ARE ONLY AVAILABLE TO THESE AGENTS**

ITEM NO.	PART NUMBER	DESCRIPTION	Spares/QTY.
1	TH1977	MACHINED QUICK TRIGGER CLAMP BODY	1
2	TH1978	MACHINED QUICK TRIGGER CLAMP TRIGGER	1
3	F790	0.375" X 1.75" STAINLESS STEEL ROLL PIN	2
4	S1190	SPRING - BASIC QUICK TRIGGER CLAMP (50mm WIDE)	1
5	T78052	M12 X 104 EYEBOLT ASSEMBLY	1

T58200 - BASIC QUICK TRIGGER CLAMP	DOUGHTY	DRAWN	AW
		DATE	22.08.11
	NOT TO SCALE	Rev	1



Doughty Engineering Limited

CROW ARCH LANE, RINGWOOD, HANTS, BH24 1NZ. ENGLAND

Telephone: +44 (0) 1425 478961 Fax: +44 (0) 1425 474481

www.doughty-engineering.co.uk

email:sales@doughty-engineering.co.uk

EC DECLARATION OF CONFORMITY

Doughty Engineering Limited hereby certify that the equipment stated below has been designed to comply with all relevant sections of the specifications referenced below and complies with all the applicable Essential Requirements of the EC Directives and amendments and the National Laws and Regulations adopting these Directives.

Description: Quick Trigger Basic Clamp

Model/s: Part No. T58200 / T58201

SWL: 250Kg **Factor:** 5:1

are in conformity with the provision of the following EC Directives:

MACHINERY DIRECTIVE 98/37/EC

Harmonised Standards applied:

EN 292-1-2:1991

BS EN ISO 9001:1994

Safety Tested: DIN 31000 03.79

Safety Tested: DIN EN 74 12.88

National Technical Standards & Specifications applied:

BS 7905-1:2001

Signed:

Date: 06-10-11

Name: Stephen Wright Position: Director

Being the responsible person appointed by the manufacturer.



DEQ 083 Rev 4

Company Registration No. London 972614
Registered Office: Crow Arch Lane, Ringwood, Hants, BH24 1NZ
Directors: M.B.Lister. J.C.G. Chiverton. N.D. Curtis. S.C. Wright





Doughty Engineering Ltd

Crow Arch Lane

Ringwood, Hampshire, BH24 1NZ

Tel: +44 (0) 1425 478961 Fax: +44 (0) 1425 474481

email: sales@doughty-engineering.co.uk

Web: www.doughty-engineering.co.uk

Note: Whilst every effort has been made to ensure that the information contained within this manual is correct, Doughty Engineering does not accept any liability for errors or omissions. Specifications and technical data are intended for guidance purposes only and may vary.