



DOUGHTY ENGINEERING LTD

DATA SHEET

TITLE:
DOUGHTY ARTICULATED BIG BEN
CLAMP - EURO

PART NOS:
T57227

MATERIAL :

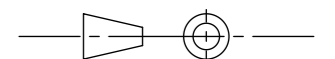
WEIGHT:
1.77 KG

SWL:
200 KG

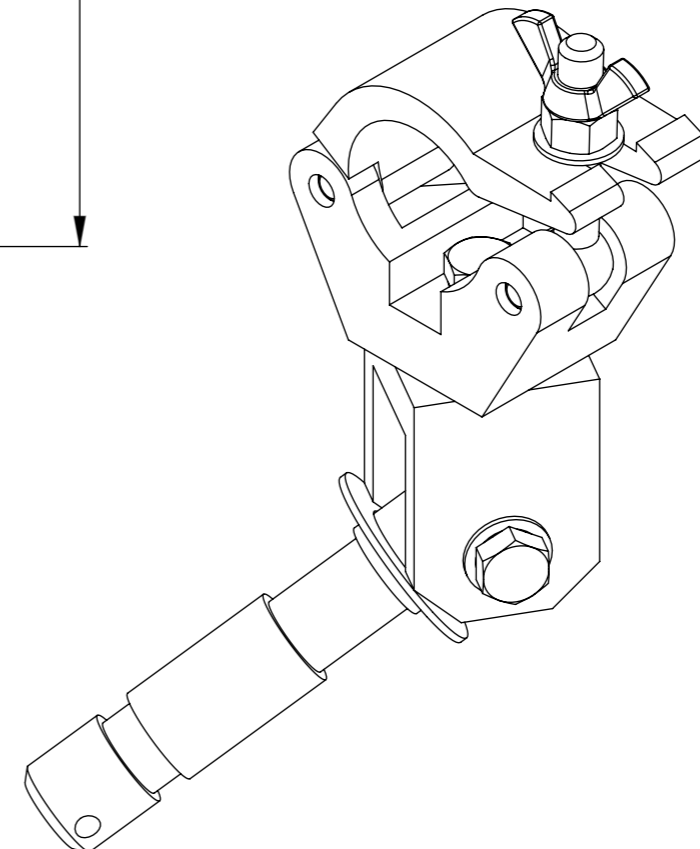
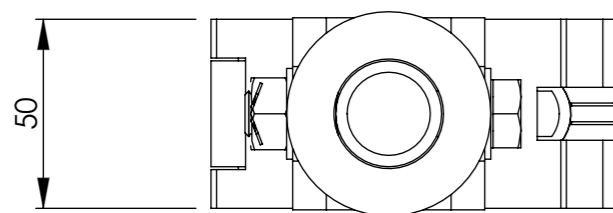
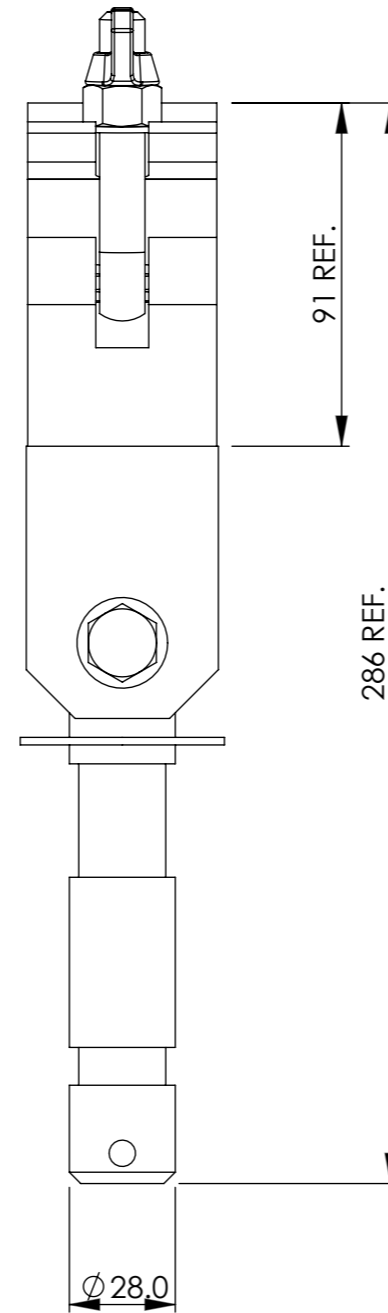
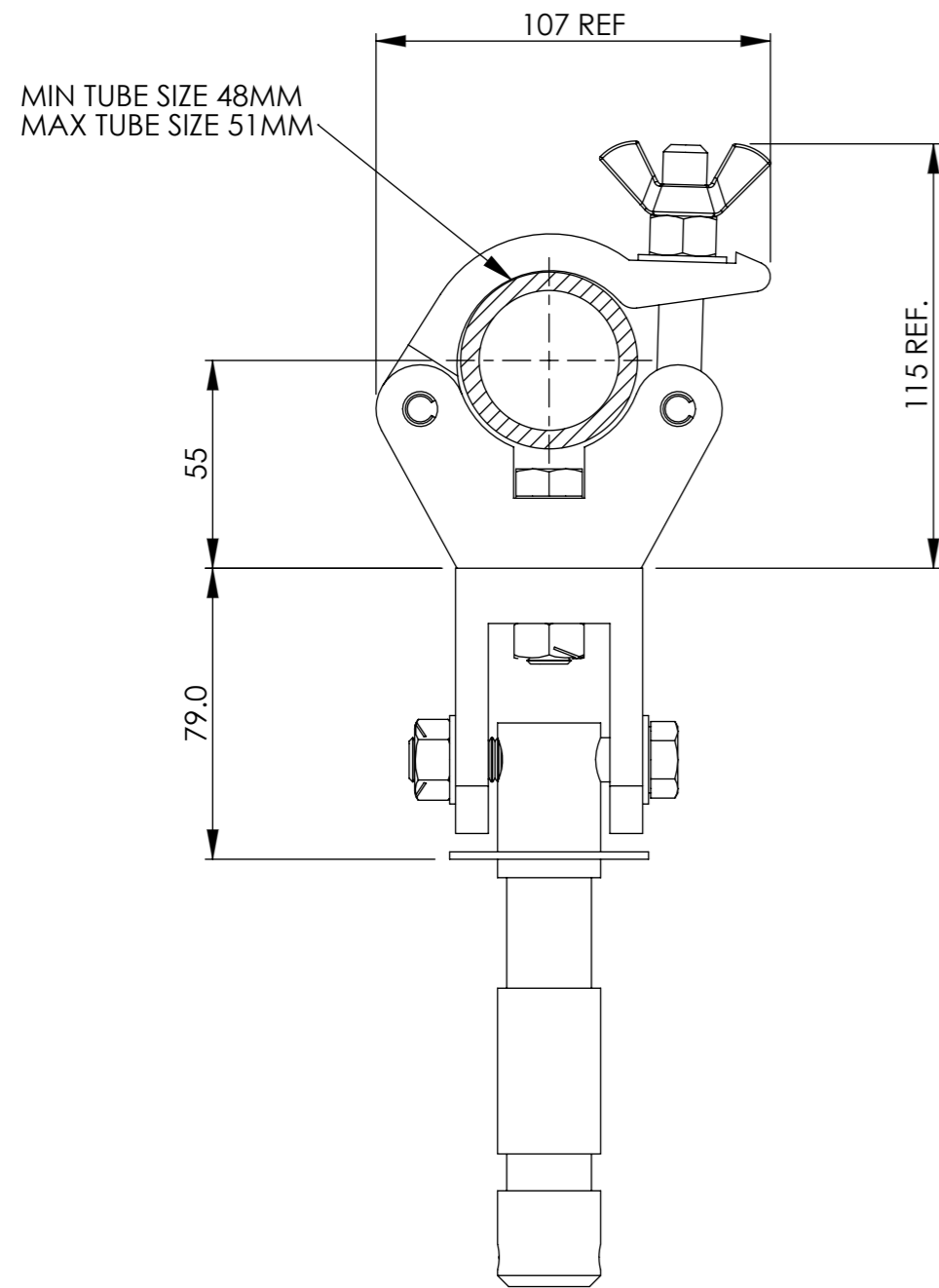
FINISH:

NOTES:
MIN TUBE SIZE - 48MM
MAX TUBE SIZE - 51MM

**STRICTLY
FOR
REFERENCE
PURPOSES
ONLY**



THIRD ANGLE PROJECTION





DOUGHTY ENGINEERING LTD

DATA SHEET

TITLE:
DOUGHTY ARTICULATED BIG BEN
CLAMP - DIN

PART NOS:
T57228

MATERIAL :

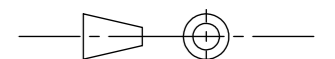
WEIGHT:
1.77 KG

SWL:
200 KG

FINISH:

NOTES:
MIN TUBE SIZE - 48MM
MAX TUBE SIZE - 51MM

**STRICTLY
FOR
REFERENCE
PURPOSES
ONLY**



THIRD ANGLE PROJECTION

