



Lifting claws, piston plates, base adaptors and extension tubes, load-spreading plates model AYS

Lifting claws

In connection with the corresponding hydraulic cylinder a lifting claw represents a compact, lightweight and versatile lifting unit. The lifting claws are screwed onto the collar thread of cylinder series YS. Claws can be placed under loads with minimum clearance.

When operating lifting claws, the following aspects have to be considered:

The hydraulic cylinders need to be able to support themselves against the load. The max. force of the cylinder is reduced by 50%.

Piston plates

Piston plates can be screwed into the piston thread of cylinder series YS. They reduce the surface pressure and prevent the pistons from sinking into the ground. Also when using a piston plate in connection with a lifting claw the cylinder must be supported against the load.

Base adaptors and extension tubes

Extension tubes are mounted onto the bottom of cylinders series YS by means of the base adaptor and two hexagon socket screws (screws are included with the base adaptor). The use of extension tubes adds to the versatility of the standard cylinders.

Load-spreading plates

These load-spreading plates are recommended when slim cylinders are used for lifting operations. They prevent the cylinders from falling over and sinking into the ground. Robust steel design with carrying handle.



AYS-101
151
231



Straightening of a container box by use of a hydraulic cylinder YS-10/100, extension tube AYS-106, base adaptor AYS-103 and electric power pump PY-04/2/5/2 M.



Lifting of a container by use of an hydraulic cylinder YS-23/160, lifting claw AYS-23 and piston plate AYS-232 powered by a two-stage hand pump HPS-2/2 with base frame.

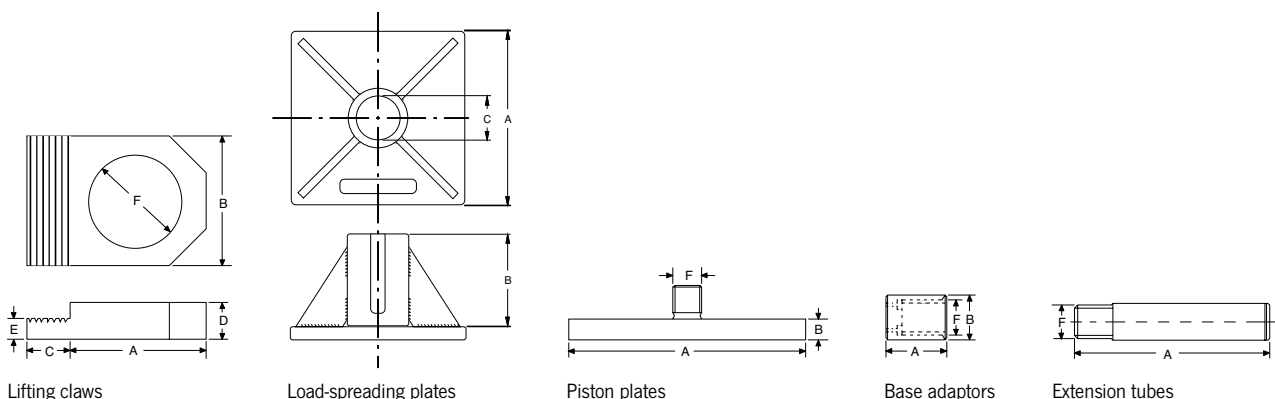
Technical data model AYS

Model	EAN-No. 4025092*	Description	Suitable for cylinder	Weight kg
AYS-10	*156721	Lifting claw, permissible capacity 5 t	YS-10/...	0.9
AYS-15	*156738	Lifting claw, permissible capacity 8 t	YS-15/...	1.3
AYS-23	*156745	Lifting claw, permissible capacity 12 t	YS-23/...	3.8
AYS-53	*157049	Base adaptor, 5 t	YS-5/...	0.5
AYS-54	*157056	Extension tube 125 mm, 5 t	YS-5/...	0.9
AYS-55	*157063	Extension tube 250 mm, 5 t	YS-5/...	1.5
AYS-56	*157070	Extension tube 500 mm, 5 t	YS-5/...	2.8
AYS-101	*157100	Load-spreading plate 10 t	YS-10/...	10.5
AYS-102	*156752	Piston plate, round	YS-10/...	1.5
AYS-103	*156783	Base adaptor, 10 t	YS-10/...	0.7
AYS-104	*156790	Extension tube 125 mm, 10 t	YS-10/...	1.2
AYS-105	*156806	Extension tube 250 mm, 10 t	YS-10/...	2.2
AYS-106	*156813	Extension tube 500 mm, 10 t	YS-10/...	3.9
AYS-107	*156820	Extension tube 750 mm, 10 t	YS-10/...	5.9
AYS-151	*157131	Load-spreading plate 15 t	YS-15/...	10.5
AYS-152	*156769	Piston plate, round	YS-15/...	1.8
AYS-153	*156929	Base adaptor, 15 t	YS-15/...	0.9
AYS-154	*156936	Extension tube 125 mm, 15 t	YS-15/...	1.6
AYS-155	*156943	Extension tube 250 mm, 15 t	YS-15/...	2.9
AYS-156	*156950	Extension tube 500 mm, 15 t	YS-15/...	4.9
AYS-157	*156967	Extension tube 750 mm, 15 t	YS-15/...	7.9
AYS-231	*157162	Load-spreading plate 23 t	YS-23/...	10.5
AYS-232	*156776	Piston plate, round	YS-23/...	2.2

Dimensions model AYS

Model	AYS-10	AYS-15	AYS-23	AYS-53	AYS-54	AYS-55	AYS-56	AYS-101	AYS-102	AYS-103	AYS-104	AYS-105
A, mm	90	110	125	53	125	250	500	230	140	58	125	250
B, mm	90	110	125	50	-	-	-	120	12	60	-	-
C, mm	30	30	30	-	-	-	-	58	-	-	-	-
D, mm	29	34	40	-	-	-	-	-	-	-	-	-
E, mm	22	25	35	-	-	-	-	-	-	-	-	-
F, mm	M57x1.5	M67x1.5	M85x2	M42x1.5	M42x1.5	M42x1.5	M42x1.5	-	M27x2	M50x2	M50x2	M50x2

Model	AYS-106	AYS-107	AYS-151	AYS-152	AYS-153	AYS-154	AYS-155	AYS-156	AYS-157	AYS-231	AYS-232
A, mm	500	750	230	140	70	125	250	500	750	230	160
B, mm	-	-	120	12	73	-	-	-	-	120	15
C, mm	-	-	68	-	-	-	-	-	-	86	-
D, mm	-	-	-	-	-	-	-	-	-	-	-
E, mm	-	-	-	-	-	-	-	-	-	-	-
F, mm	M50x2	M50x2	-	M33x2	M60x2	M60x2	M60x2	M60x2	M60x2	-	M40x2



Clevis eye mountings model AYH

Clevis eye mountings are screwed onto the piston and bottom of the hydraulic cylinder whenever mounting conditions require a pivoting of the cylinder.



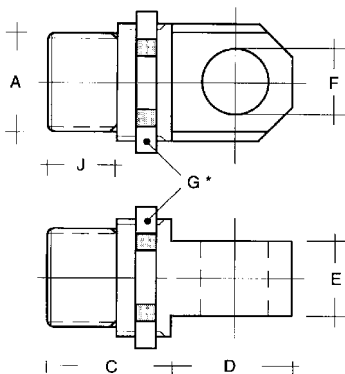
Technical data model AYH

Model	EAN-No. 4025092*	Suitable for cylinder	Suitable for	Weight kg
AYH-5-1	*157179	YH-5/30, YH-5/80, YH-5/150	Cylinder base	0.3
AYH-5-2	*157186	YH-5/30, YH-5/80, YH-5/150	Piston	0.3
AYH-10-1	*157193	YH-10/30, YH-10/80, YH-10/150, YH-10/250	Cylinder base	0.6
AYH-10-2	*157209	YH-10/30, YH-10/80, YH-10/150, YH-10/250	Piston	0.6
AYH-20-1	*157216	YH-20/150, YH-20/250	Cylinder base	2.1
AYH-20-2	*157223	YH-20/150, YH-20/250	Piston	2.1

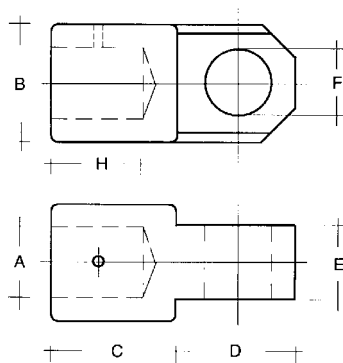
Dimensions model AYH

Model	AYH-5-1	AYH-5-2	AYH-10-1	AYH-10-2	AYH-20-1	AYH-20-2
A, mm	M27x2	M18x1.5	M36x2	M27x2	M45x2	M36x2
B, mm	-	35	-	40	-	70
C, mm	35	35	38	38	50	50
D, mm	35	35	42	42	65	65
E, mm	15	15	25	25	35	35
F, mm	16	16	20	20	30	30
G ¹ , mm	M35x1.5	-	M40x1.5	-	M70x2	-
H, mm	-	-	-	21	-	24
J, mm	18	-	21	-	23	-

¹G = retainer nut DIN 981



Model AYH-...-1 for cylinder base



Model AYH-...-2 for piston