

Sheave block for rope guidance, equipped with ball bearings model DSRB S

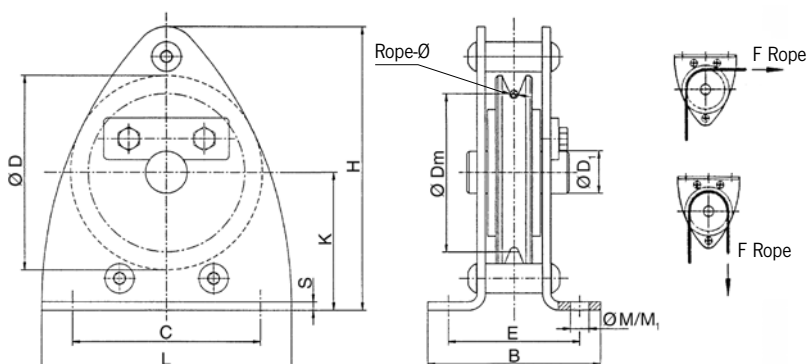
Technical data model DSRB S

Model	EAN-No. 4025092* 4050939***	Classification FEM/ISO	Pulling force	Pulling force	Rope diameter mm
			in kg at deflection 90°	in kg at deflection 180°	
DSRB S 90/4	***066062	2m/M5	700	500	4
DSRB S 145/5	***065812	4m/M6	1100	800	5
DSRB S 145/6	*994811	2m/M5	1100	800	6
DSRB S 185/8	***065843	2m/M5	2300	1630	8
DSRB S 185/9	***065850	1Am/M4	2300	1630	9
DSRB S 270/12	***065980	2m/M5	2500	1800	12
DSRB S 325/14	***066055	2m/M5	4500	3200	14
DSRB S 400/16	***066130	3m/M6	5000	3800	16
DSRB S 400/18	***065720	2m/M5	5000	3800	18
DSRB S 490/20	***065751	3m/M6	8000	6000	20



Dimensions model DSRB S

Model	DSRB S 90/4	DSRB S 145/5	DSRB S 145/6	DSRB S 185/8	DSRB S 185/9	DSRB S 270/12	DSRB S 325/14	DSRB S 400/16	DSRB S 400/18	DSRB S 490/20
EAN-No.	***066062	***065812	*994811	***065843	***065850	***065980	***066055	***066130	***065720	***065751
B, mm	85	125	125	138	138	191	260	302	302	313
C, mm	90	160	160	195	195	290	350	430	430	580
Ø D, mm	90	145	145	185	185	270	325	400	400	490
Ø D1, mm	20	25	25	30	30	40	50	50	50	65
Ø Dm, mm	80	125	125	160	162	246	297	368	364	450
E, mm	62	88	88	106	106	138	180	212	212	220
H, mm	134	224	224	273	273	407	490	612	612	694
K, mm	65	110	110	135	135	202	242	310	310	340
L, mm	120	200	200	245	245	360	440	530	530	650
Ø M/M1, mm	9/9	11.5/13	11.5/13	13.5/15	13.5/15	18/20	22/25	26/30	26/30	34/40
S, mm	4	6	6	8	8	10	12	15	15	16



Available in explosion proof version
(please see page 465).