



# BIKE COMBO POWER

KT-606

## MOUNT



POWER BANK  
FREE SIZE



SMARTPHONE  
FREE SIZE



BICYCLE  
EQUIPMENT



TAKE  
ANYWHERE

Mounting Smartphone & Power Bank  
together to your bike handlebar.

### WHAT'S INSIDE

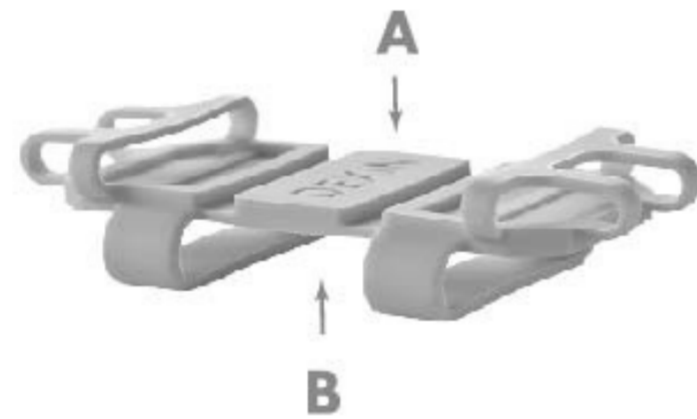
#### 1. BIKE MOUNT

• Fix on bike handlebar



#### 2. POWER & PHONE HOLDER

• Side A : Fix the SmartPhone  
• Side B : Fix the Power Bank



### HOW TO USE

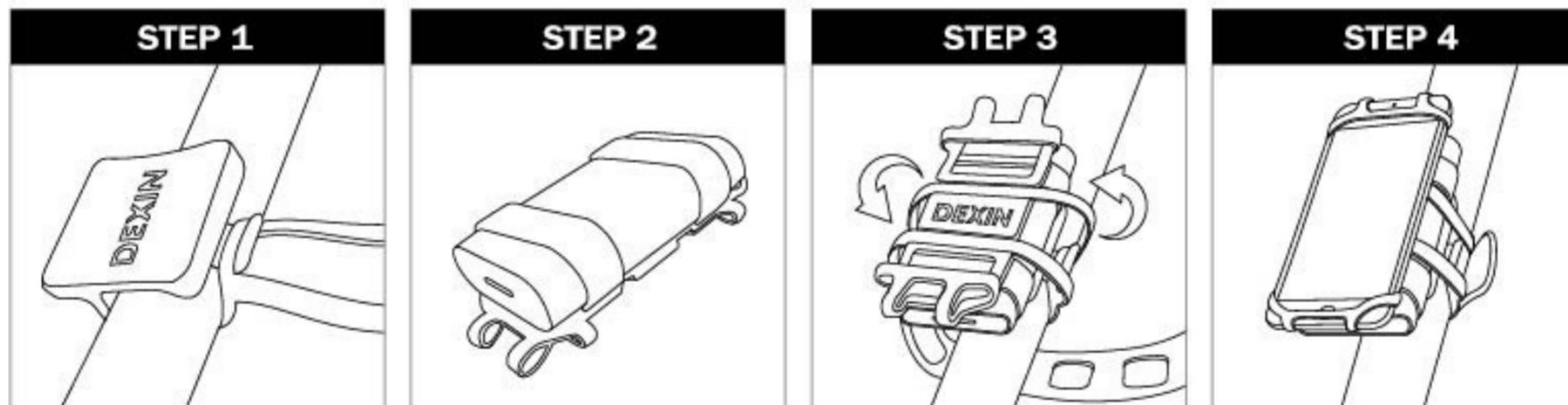
#### A BIKE MOUNT with POWER & PHONE HOLDER

Step 1 : Fasten the BIKE MOUNT on bike handlebar

Step 2 : Fix the Power Bank in Side B of POWER & PHONE HOLDER

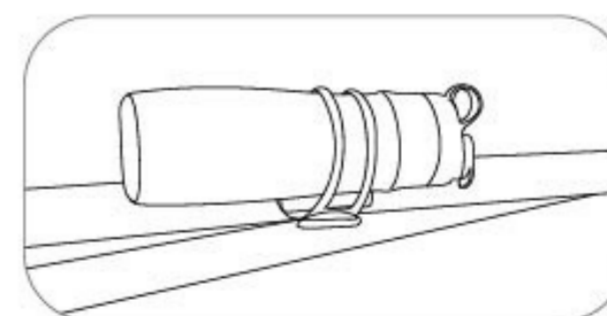
Step 3 : Place the POWER BANK HOLDER on BIKE MOUNT, Fasten and Hook on.

Step 4 : Fix the Smartphone in Side A of POWER & PHONE HOLDER



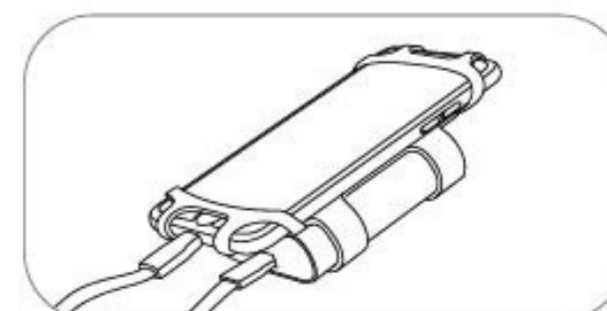
#### B BIKE MOUNT only

To mount any article on handlebar, such as water bottle.



#### C POWER & PHONE HOLDER only :

Easy to hold your phone & power bank securely on hand during charging



#### D BIKE MOUNT with PHONE HOLDER (Without Power Bank)

Fix the HOLDER on BIKE Mount with Side A faced up, then fix the Smartphone in.

