

# 'BOBBY' BAR 1800mm L (FLATPACK)

## Spec Sheet

Last Updated: April 19, 2024

For further information regarding any of our rental products please refer to the product listing on the website - [www.timbermillrentals.com](http://www.timbermillrentals.com)

### Important Notes!

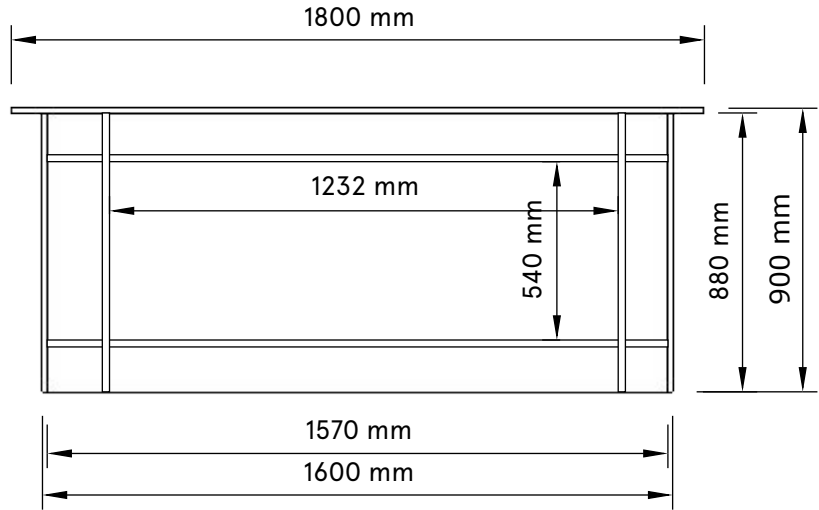
Please note, all items are handcrafted and will always have some kind of slight variation and you will need to allow for tolerance if getting any signage or similar created off these dimensions.

Please read our general signage document for information on applying signage to our bars.

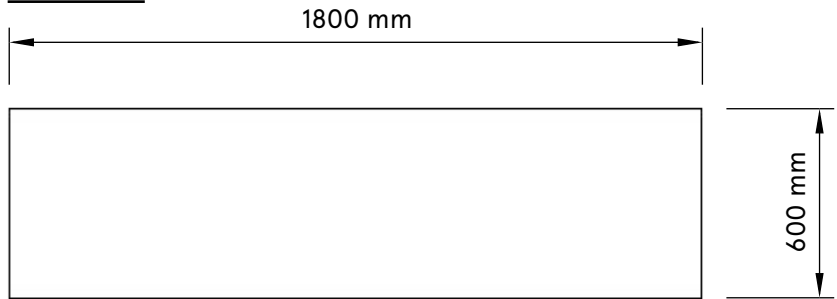
Timbermill holds no responsibility for anything created based off these dimensions.

All drawings and products are copyright to Timbermill PTY LTD.

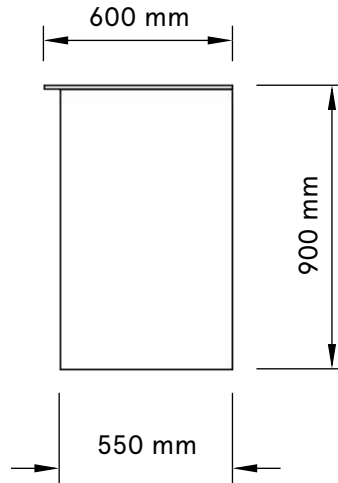
### FRONT VIEW



### TOP VIEW



### SIDE VIEW



### EXPLODED VIEW

