

'TREASURE BOX' RANGE

Spec Sheet

Last Updated: June 26, 2023

For further information regarding any of our rental products please refer to the product listing on the website - www.timbermillrentals.com

Important Notes!

Please note, all items are handcrafted and will always have some kind of slight variation and you will need to allow for tolerance if getting any signage or similar created off these dimensions.

Please read our general signage document for information on applying signage to our bars.

Timbermill holds no responsibility for anything created based off these dimensions.

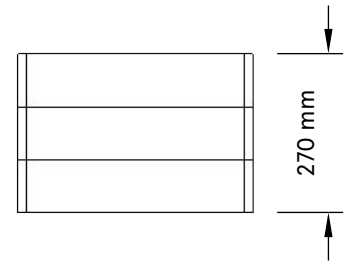
All drawings and products are copyright to Timbermill PTY LTD.

FRONT VIEW

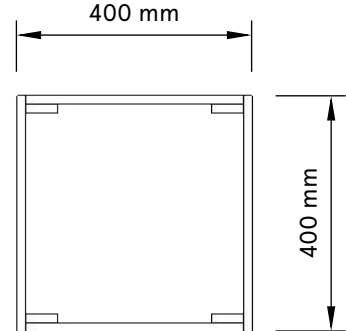
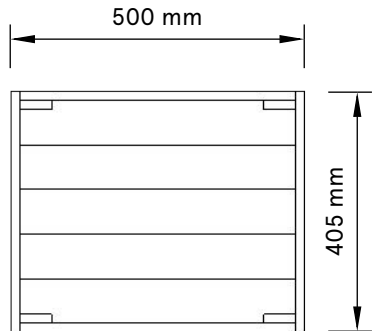
LARGE TREASURE BOX



CUBE



TOP VIEW

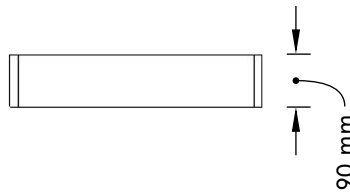


SIZE
Height: 300mm
Length: 500mm
Width: 405mm

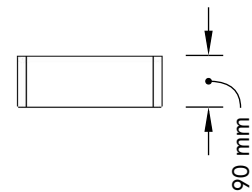
SIZE
Height: 270mm
Length: 400mm
Width: 400mm

FRONT VIEW

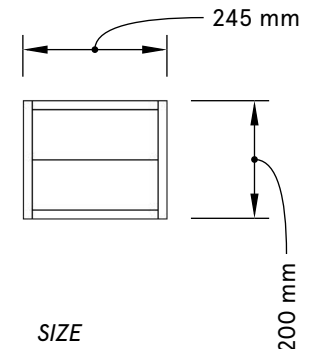
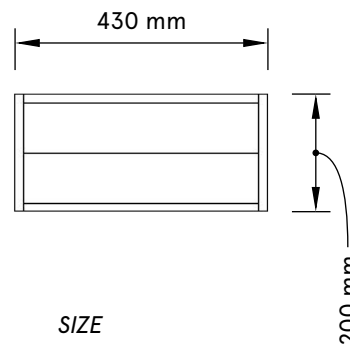
MEDIUM TREASURE BOX



SMALL TREASURE BOX



TOP VIEW



SIZE
Height: 90mm
Length: 430mm
Width: 200mm

SIZE
Height: 90mm
Length: 270mm
Width: 200mm