

'DISCO' CART (SOLID)

Spec Sheet

Last Updated: September 19, 2023

For further information regarding any of our rental products please refer to the product listing on the website - www.timbermillrentals.com

Important Notes!

Please note, all items are handcrafted and will always have some kind of slight variation and you will need to allow for tolerance if getting any signage or similar created off these dimensions.

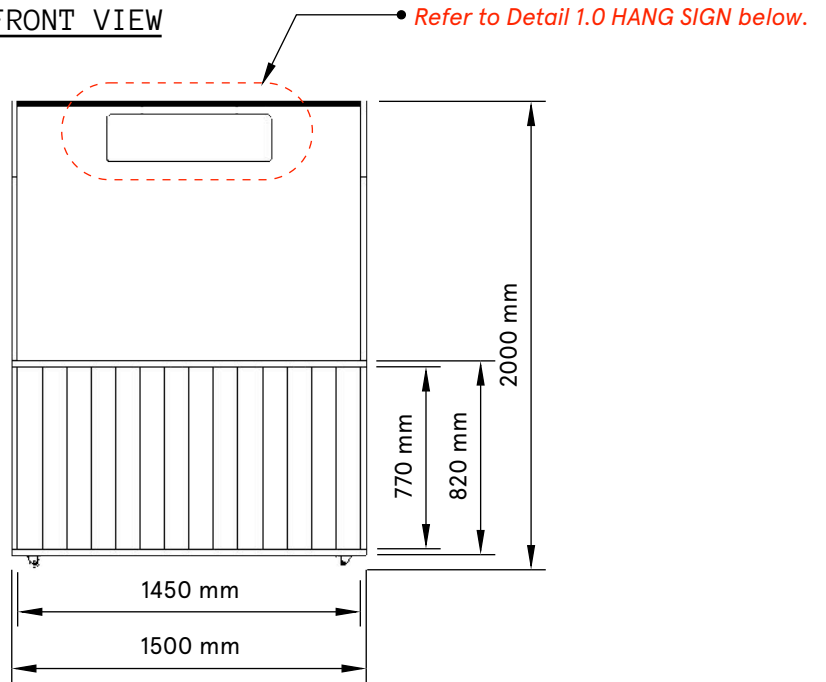
Please read our general signage document for information on applying signage to our bars.

Timbermill holds no responsibility for anything created based off these dimensions.

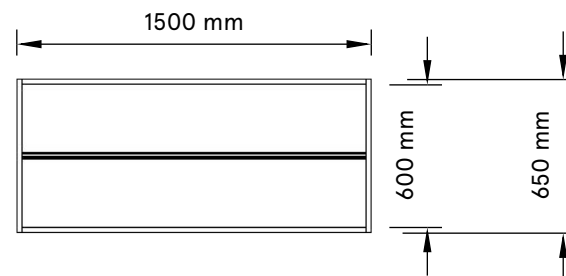
All drawings and products are copyright to Timbermill PTY LTD.

HAVE ANY QUESTIONS?
RENTALS@TIMBERMILL.COM.AU

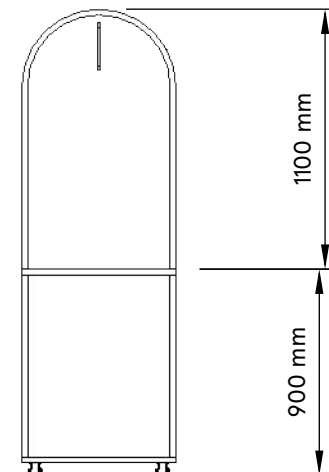
FRONT VIEW



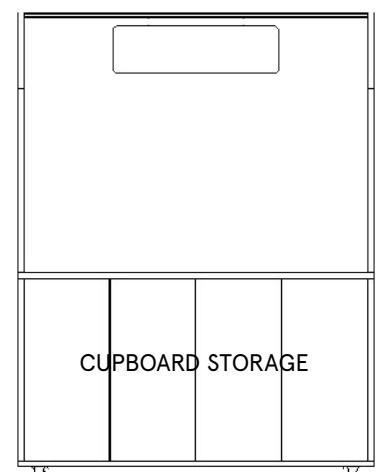
TOP VIEW



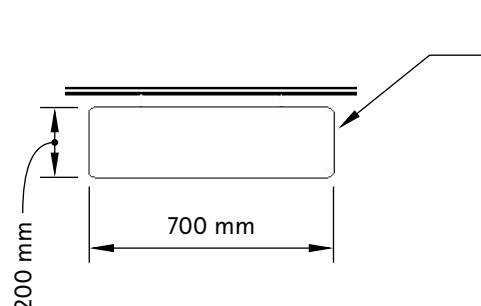
SIDE VIEW



BACK VIEW



DETAIL 1.0 HANGING SIGN



You can use the DISCO Cart With or without the Sign.

Or if you want to use the eyelets With your own sign you will just need to design your sign holes around the eyelet locations.

Our holes are 20mm diameter, And sit 10mm down from top, and 150mm in from sides.

TIMBERMILL®