

'BALMORAL' BAR (FLAT PACK)

Spec Sheet

Last Updated: May 16, 2023

For further information regarding any of our rental products please refer to the product listing on the website - www.timbermillrentals.com

Important Notes!

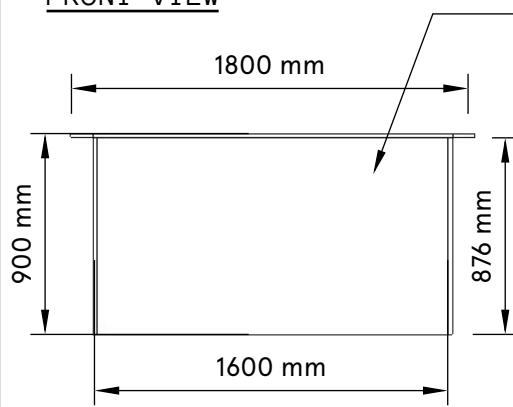
Please note, all items are handcrafted and will always have some kind of slight variation and you will need to allow for tolerance if getting any signage or similar created off these dimensions.

Please read our general signage document for information on applying signage to our bars.

Timbermill holds no responsibility for anything created based off these dimensions.

All drawings and products are copyright to Timbermill PTY LTD.

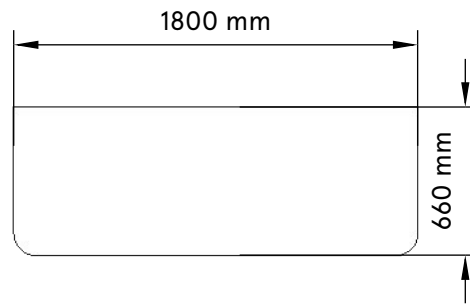
FRONT VIEW



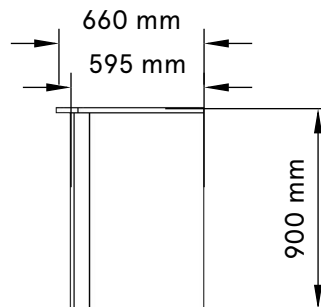
Note, the bar has a rendered finish, vinyl will not apply directly to this finish. If applying a sign you will need to use a substrate and stick to bar front with low adhesive tape.

All signage must be removed prior to return to Timbermill, and not damage the render finish otherwise charges will apply.

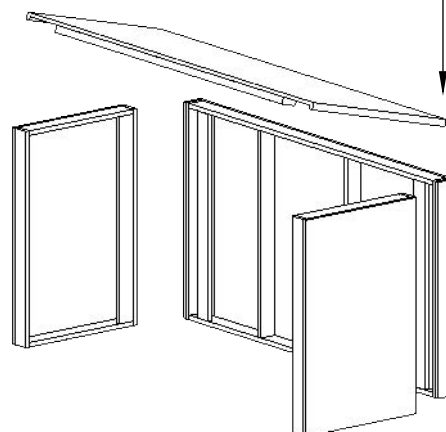
TOP VIEW



SIDE VIEW



EXPLODED VIEW



Note, as this bar is a flatpack bar it requires assembly on site. It has five (5) pieces - Top, left side, right side, shelf and front. Please keep this in mind when designing any signage. Open at back, with one shelf.