

# 'MARTINI' BAR (FLATPACK)

## Spec Sheet

Last Updated: September 6, 2023

For further information regarding any of our rental products please refer to the product listing on the website - [www.timbermillrentals.com](http://www.timbermillrentals.com)

### Important Notes!

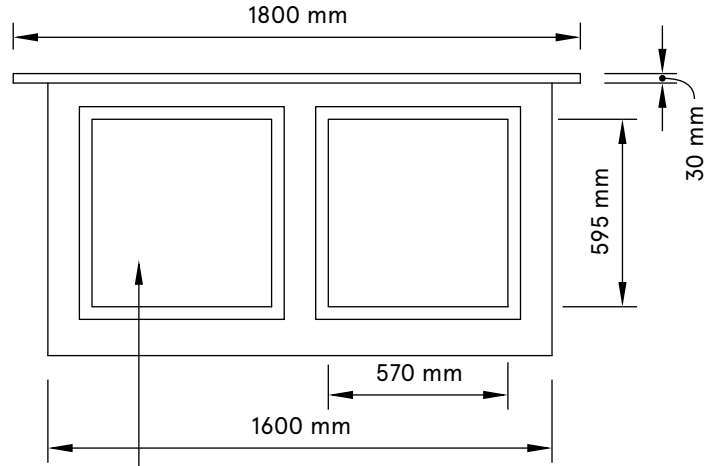
Please note, all items are handcrafted and will always have some kind of slight variation and you will need to allow for tolerance if getting any signage or similar created off these dimensions.

Please read our general signage document for information on applying signage to our bars.

Timbermill holds no responsibility for anything created based off these dimensions.

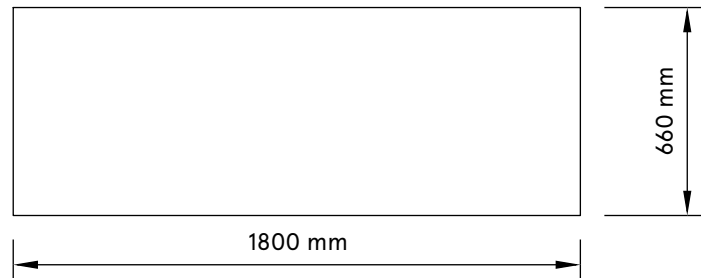
All drawings and products are copyright to Timbermill PTY LTD.

### FRONT VIEW

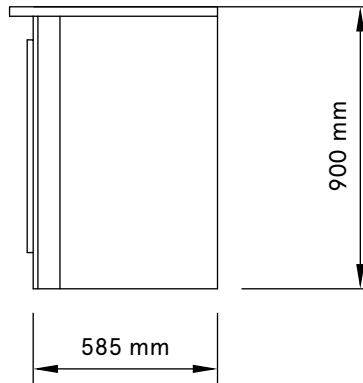


Note, the square internals on the front may have a slight variance in size. We recommend any signage to be made at 590x565mm to allow for this.

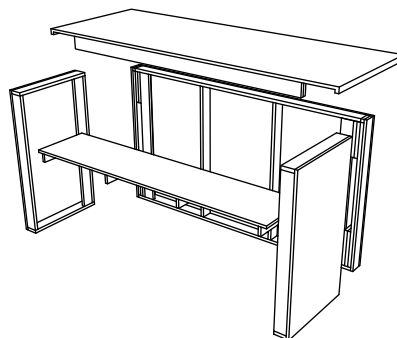
### TOP VIEW



### SIDE VIEW



### EXPLODED VIEW



Note, as this bar is a flatpack bar it requires assembly on site. It has five (5) pieces - Top, left side, right side, shelf and front. Please keep this in mind when designing any signage. Open at back, with one shelf.