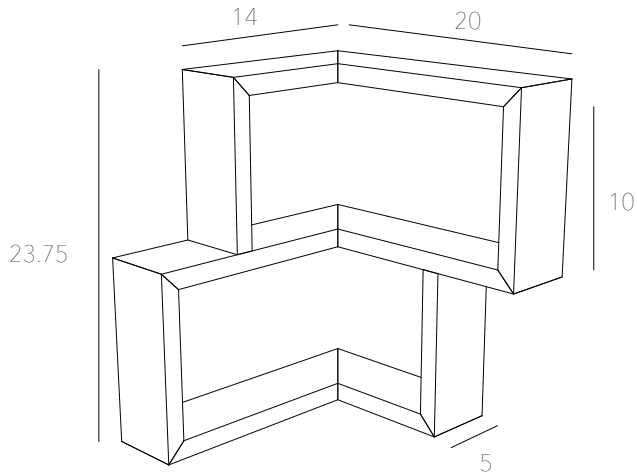




## FRANKLIN



Walnut



Maple



Cherry

solid wood  
mounting hardware included  
made in Ohio  
lead time: 2-5 business days (qty <5), 2-4 weeks (qty 5+)



Nobody puts Franklin in the corner. Wait. Everyone does! However this is a two trick pony. It can also be mounted on an outside corner! Crafty little guy. Of course, because it's made by Tronk, this award nominated shelf uses only the finest solid hardwood and miter joints with traditional mortise and tenon joinery.