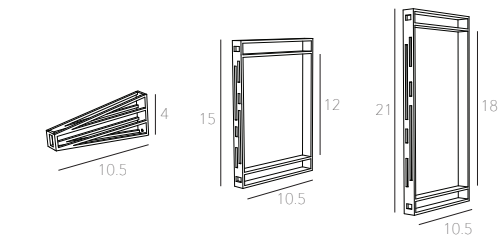
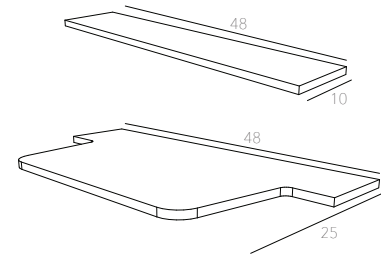


EVANS SHELVING SYSTEM

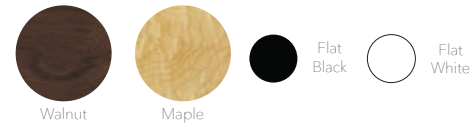


Package A

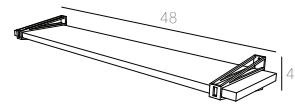


Package B

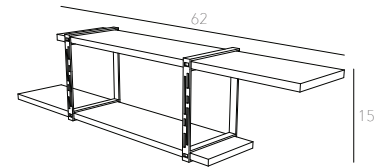
brackets: powder-coated steel
 shelving: solid wood
 made in Ohio
 mounting hardware included
 lead time: 2-5 days (qty<10), 2-4 weeks (qty10+)



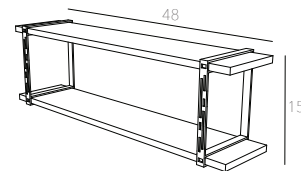
Package B



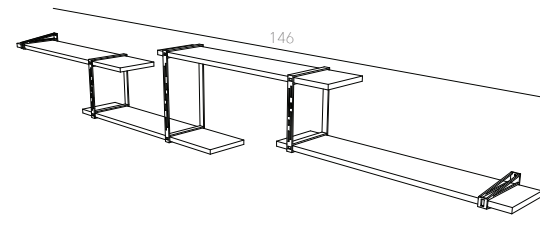
Package C



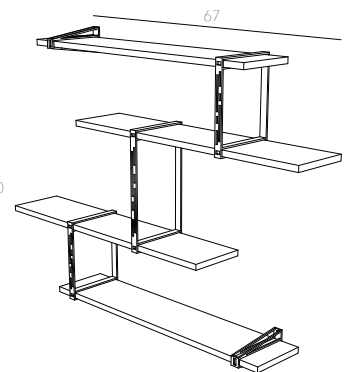
Package C



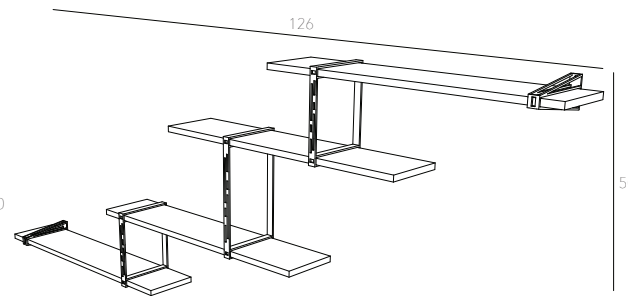
Package C



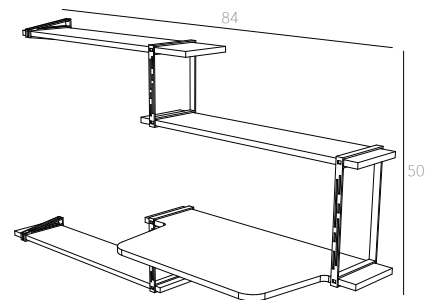
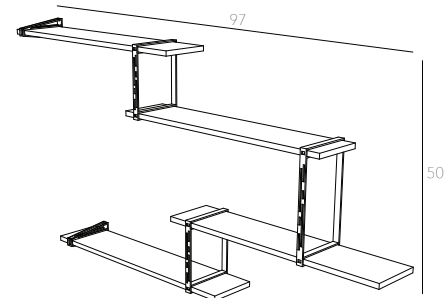
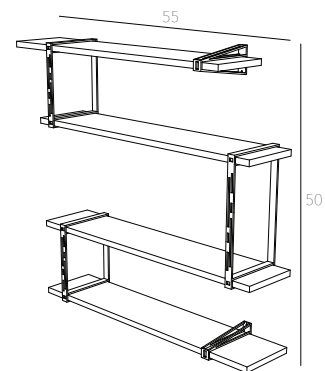
Package C



Package C



Package D w/desk



Last but definitely not least, the Evans Shelving System. Using only three different sized brackets you can create a shelving system that will exactly match the needs of your space. Don't worry if designing your own system seems like a daunting task, luckily we thought ahead and came up with three convenient, easy to install packages to simplify the process. Check the index for all the info. We almost forgot, take a look at that cool shelf desk. We're pretty proud of that one!