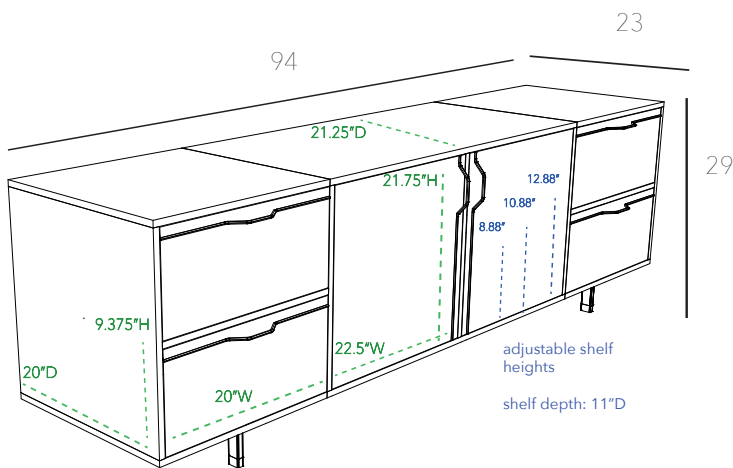




CHAPMAN 4 UNIT CREDENZA



* interior dimensions

hardware:

- Red (RD)
RAL 3020
- White (WH)
RAL 9016
- Black (BL)
RAL 9017
- Rose' Copper (CP)
- Orange (OR)
RAL 2011
- Yellow (YL)
RAL 1018
- Green (GN)
RAL 6018
- Brassy Gold (GD)
- Prairie Green (PG)
- Pink (PK)
- Blood Red (BR)
- Mustard Yellow (MU)
- Navy (NV)
- Grey (GY)

wood:



drawer:

wooden slides OR metal glides

storage options:

all drawers (4DW) OR drawers & doors (2DW_2DO)

materials:

3/4" veneer core plywood, powder-coated steel

lead time: 4-5 weeks

sample SKU: CHP_4U_4DW_MPL_CP