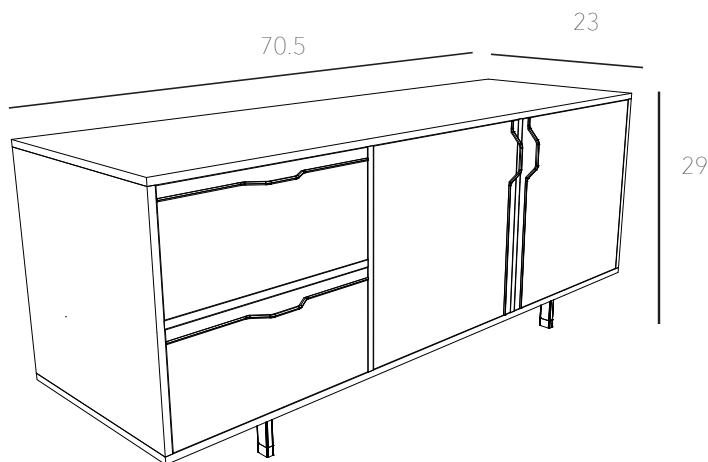




CHAPMAN 3 UNIT CREDENZA



- | | | | |
|-------------------------|-------------------------|------------------------|------------------------|
| Red (RD)
RAL 3020 | White (WH)
RAL 9016 | Black (BL)
RAL 9017 | Rose'
Copper (CP) |
| Orange (OR)
RAL 2011 | Yellow (YL)
RAL 1018 | Green (GN)
RAL 6018 | Brassy
Gold (GD) |
| Prairie
Green (PG) | Pink (PK) | Blood
Red (BR) | Mustard
Yellow (MU) |
| Walnut
(WAL) | Maple
(MPL) | Navy (NV) | Grey (GY) |

3/4" veneer core plywood, powder-coated steel
storage options: Doors (DO) or Drawers (DW)
lead time: 3-4 weeks
sample SKU: CHP_3U_3DW_MPL_CP