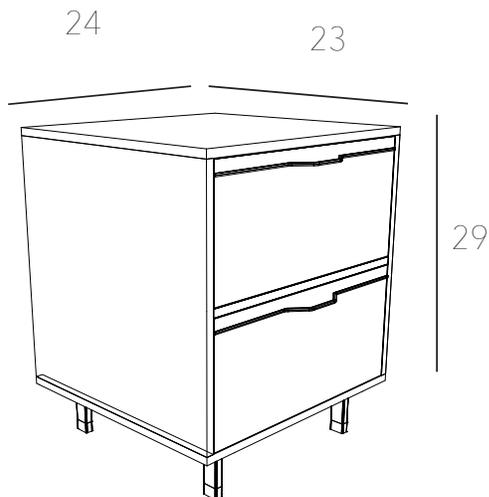




CHAPMAN SINGLE



- | | | | |
|---|---|--|--|
|  Red (RD) RAL 3020 |  White (WH) RAL 9016 |  Black (BL) RAL 9017 |  Rose' Copper (CP) |
|  Orange (OR) RAL 2011 |  Yellow (YL) RAL 1018 |  Green (GN) RAL 6018 |  Brassy Gold (GD) |
|  Prairie Green (PG) |  Pink (PK) |  Blood Red (BR) |  Mustard Yellow (MU) |
|  Walnut (WAL) |  Maple (MPL) |  Navy (NV) |  Grey (GY) |

3/4" veneer core plywood, powder-coated steel
lead time: 3-4 weeks
sample SKU: CHP_1U_1DW_WAL_CP