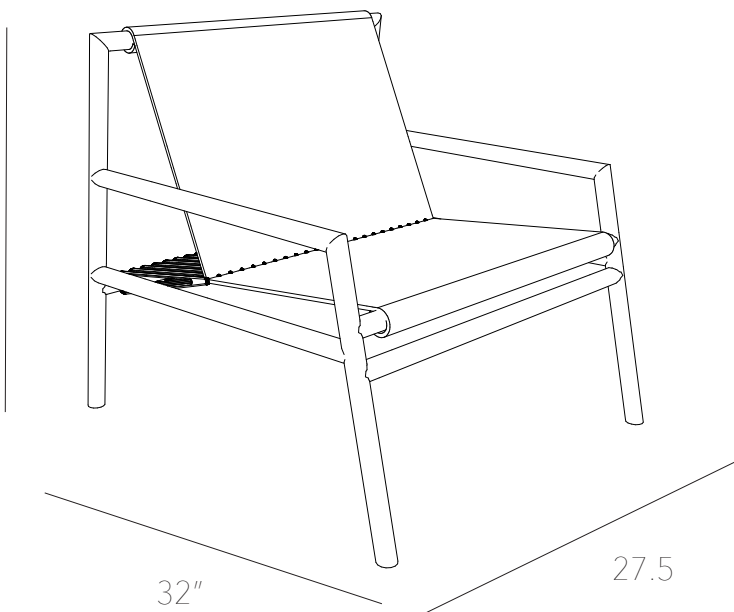




GALLAGHER CHAIR



- Natural Oak (OAK)
- Walnut (WAL)
- Maple (MPL)
- Grey Felt (FLT_GRY)
- Natural Leather (LTH_NAT)
- Black Leather (LTH_BL)

frame: solid wood
seat: felt or leather
cord: bungee offered in Black and White
lead time: 2-4 weeks
samples SKU: GAL_LNG_MPL_LTH_NAT