

12 MP (4K Ultra HD) IP Box Cameras

HCD8G

Honeywell is taking quality and reliability to the next level with the new equiP® line of 4K Ultra HD IP cameras. The Honeywell TDN Ultra HD box cameras offer incomparable high definition resolution at full frame rate, progressive scan technology, and edge enhancement for outstanding picture clarity. ONVIF (Profile S/G) compliance ensures hassle-free, flexible system integration.

Ultra HD 4K Image Quality

- Ultra HD 12 MP (4K) 20 fps image with a 1/1.7" 12 megapixel progressive scan CMOS, or full HD 8 MP 25/30 fps image
- Digital WDR (DWDR) ensures glare-free images
- True Day/Night capability provides vivid colour pictures by day and clear black-and-white pictures at night using a removable IR cut filter
- Excellent low-light performance with 3D noise reduction, saving storage and bandwidth together with H.265 Profile codec

Flexible Surveillance Solution

- H.265, H.264 and MJPEG codec, triple stream support
- Working temperature of -30°C to 60°C (-22°F to 140°F)
- ONVIF Profile S and G compliant
- Security features include individual signed certificates and data encryption
- Cameras can be retrofitted on many existing DVR/NVR installations without requiring additional storage

Easy to Install and Use

- Professional design that is easy to hold with one hand during installation
- Built-in PoE (Power over Ethernet) eliminates separate power supply and associated wiring; 24 V AC/12 V DC inputs where PoE power is unavailable
- Remote configuration through web client or from the NVR

Privacy Masking

Conceals up to 4 areas of a scene from viewing and recording

Onboard Video Storage

Supports up to 128 GB microSDHC (Class 10) card for local video storage when network is interrupted. Card not included



HD

(Lens sold separately)



Market Opportunities

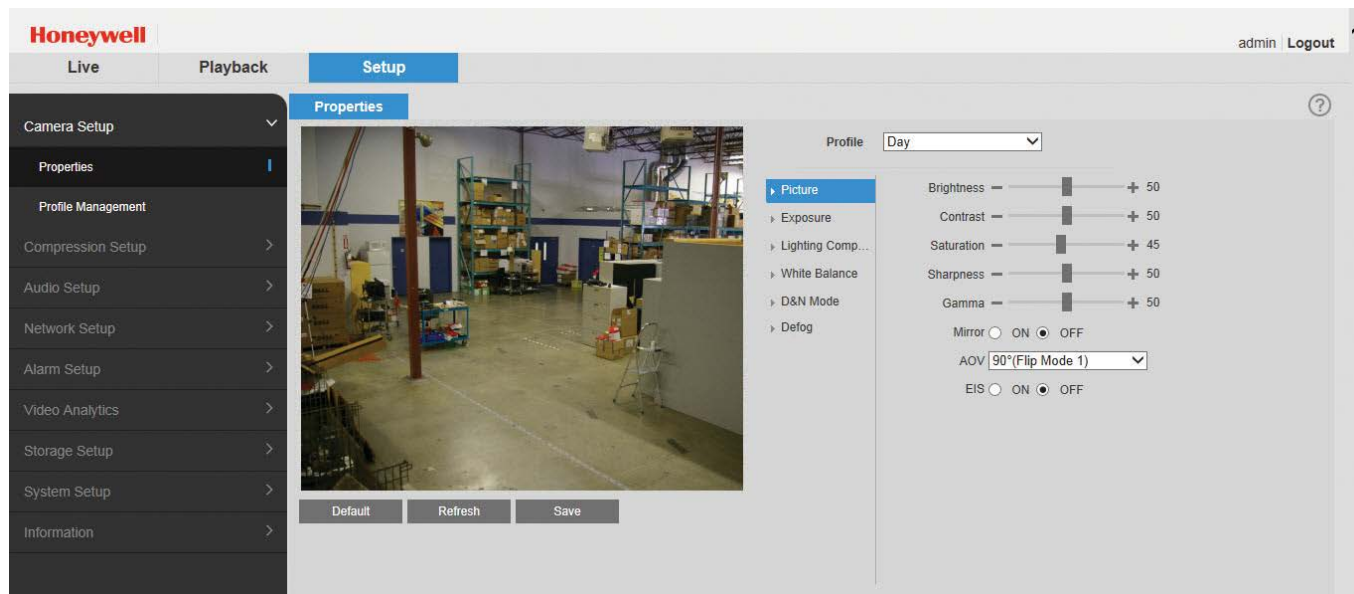
These cameras are perfect for installations that require excellent picture quality at minimal bandwidth, with a flexible design that mounts easily to a wall or ceiling. Boasting a sleek modern design and offering 4K high definition images, these cameras are suited for a wide range of applications.

FEATURES

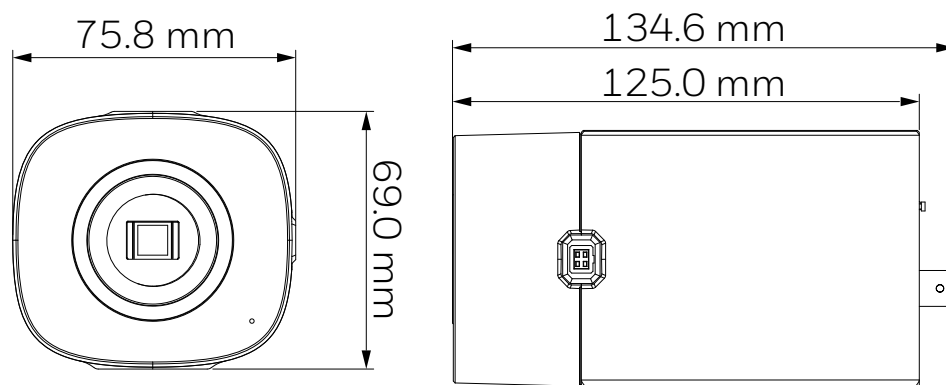
- Ultra HD 4K/12 MP resolution at 20 fps or 8 MP at 25/30 fps
- Up to 4 configurable privacy areas
- Excellent low light performance with down to 0.03 lux BW
- Digital WDR
- Built-in PoE for simple cabling options; 12 V DC/24 V AC inputs also available
- Up to triple stream support
- 1/1.7" 12 megapixel progressive scan CMOS imager
- 2 lens options to suit any surveillance situation
- True Day/Night capability with vivid colour pictures in the day and clear black-and-white images at night
- ONVIF profile S and G compliant
- Corridor mode viewing capability
- Onboard camera storage up to 128 GB microSD card (not included)
- ONVIF profile S and G compliant
- Built-in cybersecurity hardware chipset
- Global language support with QIGs, Web GUI, and online help in 15 languages

12 MP (4K Ultra HD) IP Box Cameras

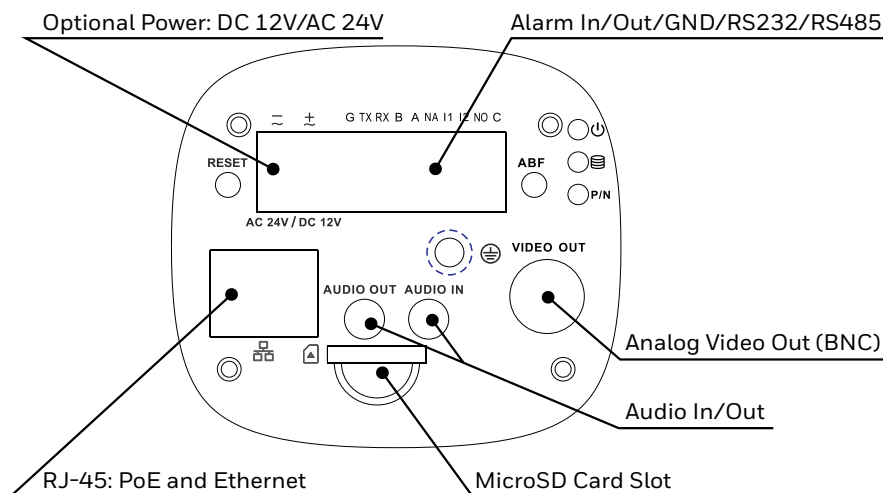
The camera can be configured to automatically detect and respond to events such as motion in the scene, alarm inputs, network failure, and/or camera tampering. Automated responses include: sending a notification through email, FTP, and/or HTTP; sending a still image of the event through email and/or FTP; and recording a video clip of the event to a configured microSDHC card. Setup can be done through the web client.



Dimensions



Connections




HCD8G Technical Specifications

SPECIFICATIONS	
OPERATIONAL	
VIDEO STANDARD	NTSC/PAL
SCANNING SYSTEM	Progressive scan
IMAGE SENSOR	1/1.7" 12 MP progressive CMOS
NUMBER OF PIXELS (H×V)	4000×3000
MINIMUM ILLUMINATION	0.02 lux colour @ F1.53, 0.01 lux B/W @ F1.5
S/N RATIO	50 dB
ELECTRONIC SHUTTER SPEED	Auto, Manual, 1/3(4)–1/100 000 s
DAY/NIGHT	Auto(ICR)/Colour/BW
BACKLIGHT COMPENSATION	BLC/HLC/DWDR/SSA
WIDE DYNAMIC RANGE	Digital WDR (DWDR)
WHITE BALANCE	Auto/Natural/Street Lamp/Outdoor/Customize Region
GAIN CONTROL	Auto/Manual
NOISE REDUCTION	3DNR
PRIVACY MASKING	Up to 4 configurable areas
CORRIDOR MODE	Yes
ELECTRONIC IMAGE STABILIZATION	Off/On
DEFOG	Auto/Manual/Off
AUTO BACK FOCUS	Yes
LENS	Ordered separately, support for DC-iris lens
AUDIO/TWO-WAY	Line In/Out, 1 built-in mic
ALARM INPUT/OUTPUT	2/1
ETHERNET	RJ-45 (10/100/1000Base-T)
ANALOG OUTPUT	BNC connector
IP SPECIFICATIONS	
VIDEO COMPRESSION	H.265/H.264+/H.264/MJPEG Bit rate control (CBR and VBR)
RESOLUTION	16:9 8 MP (3840×2160) / 3 MP (2304×1296) / 1080p (1920×1080) / 720p (1280×720)
	4:3 12 MP (4000×3000) / 5 MP (2560×1920) / 3 MP (2048×1536) / 1.3 MP (1280×960) / VGA (640×480)
	Other 8 MP (4096×2160) / 6 MP (3072×2048) / SXGA (1280×1024) / D1 (704×576/704×480) / CIF (352×288/352×240)
FRAME RATE	Main Stream 12 MP (4000×3000) 1–20 fps / 8 MP (4096×2160) or lower resolution at 1–25/30 fps
	Sub Stream D1/VGA/CIF up to 25/30 fps
	Triple Stream 1080p/720p/D1/VGA up to 25/30 fps
AUDIO COMPRESSION	G.711a/G.711Mu/AAC/G.726
AUDIO STREAM	Full duplex, simplex
SD CARD	Up to 128 GB microSDHC card, Class 10 (not included)
SD CARD FUNCTION	<ul style="list-style-type: none"> Event trigger recording Continuous and scheduled recording Automatic recording when network fails
PROTOCOLS*	IPv4/v6, TCP/IP, UDP, RTP, RTSP, HTTP, HTTPS, SSL, ICMP, FTP, SMTP, DHCP, PPPoE, UPnP, IGMP, SNMP, Bonjour, DNS, DDNS, IEEE 802.1X, QoS, NTP, IP Filter, Multicast, ONVIF

IP SPECIFICATIONS (CONT'D)	
COMPATIBILITY	ONVIF Profile S/G
MAX. USER ACCESS	20 users
SUPPORTED WEB BROWSERS	Internet Explorer (11.0+), Firefox, Chrome
SUPPORTED OS	Windows 7 32-bit/64-bit, Windows 10
SECURITY	Multiple user access levels with enhanced password policy, IP filtering, IEEE 802.1X, strong digest authentication for access permission, HTTPS, TLS1.2 only, high-strength encrypted algorithm AES-256, SSH/Telnet closed, FTP disabled to reduce surface being attacked, PCI-DSS compliant, built-in cybersecurity hardware chipset
LANGUAGES SUPPORTED	English, Arabic, Czech, Dutch, French, German, Italian, Japanese, Korean, Polish, Portuguese, Russian, Simplified Chinese, Spanish, Turkish
ELECTRICAL	
POWER SUPPLY	PoE (802.3af) Class 0, 12 V DC / 24 V AC
AC FREQUENCY	50/60 Hz
POWER CONSUMPTION	8 W max. (ABF and ICR on)
MECHANICAL	
DIMENSIONS	125.0 × 69.0 × 75.8 mm (4.92 × 2.72 × 2.98 in.)
PRODUCT WEIGHT	1.21 lb (0.55 kg)
PACKAGE WEIGHT	1.87 lb (0.85 kg)
CONSTRUCTION	Die-cast aluminum housing with powder coat
CONSTRUCTION COLOUR	RAL9003 (White) and RAL7022 (Gray)
ENVIRONMENTAL	
TEMPERATURE	–30°C to 60°C (–22°F to 140°F)
RELATIVE HUMIDITY	Less than 95%, non-condensing
REGULATORY	
EMISSIONS	EN 55032, FCC Part 15B, AS/NZS CISPR 22:2009+A1 (2010)
IMMUNITY	EN 50130-4
SAFETY	EN 60950-1, UL Listed to UL/CSA 60950-1
ROHS	EN 50581

* Some development may be required in specific user cases to support some of these protocols in the field as they mature over time.

ORDERING

ORDERING	
OPEN IP INTEGRATION	
ONVIF support and open API software integration. Refer to www.onvif.org for the ONVIF specification and the Honeywell Open Technology Alliance website (http://www.security.honeywell.com/hota/) to learn more about our open and integrated solutions.	

ACCESSORIES		
LENSES		
HLM105V42MPD		12 MP 4K 10.5-42 mm Lens
HLM37V16MPD		12 MP 4K 3.7-16 mm Lens

HONEYWELL DEVICE INTEGRATION	
MAXPRO® NVR FAMILY	Entry to Enterprise Level Network Video Recorders (version 4.0 and greater)
MAXPRO® VMS FAMILY	Entry to Enterprise Level Network Video VMS (version R4.10 and greater)
DVM	DVM R600.1 SP1
HUS	HUS 5.1

ORDERING	
CAMERAS	
HCD8G	Network TDN Ultra 4K HD Box Camera, 1/1.7" CMOS, 12 MP, PoE, H.265

Note:
Honeywell reserves the right, without notification, to make changes in product design or specifications.