

# MicroProx® Tag

125 kHz Proximity

125 kHz Proximity Tag with Adhesive Back • 1391



## ACCESS reliability.

### Application

The MicroProx® Tag provides the convenience of HID's proximity technology in a small disk-shaped transponder. Simply attach the adhesive-backed Tag to any nonmetallic card or device, and you instantly have a proximity card!

### With the MicroProx Tag you can:

- ▶ Seamlessly upgrade from Wiegand, magnetic stripe or barium ferrite technologies by simply adhering the Tag to your existing access card.
- ▶ Easily and cost-effectively turn a plastic ID badge or contact smart chip card into a proximity credential!
- ▶ Add proximity access control capability to users' cell phones, PDAs and other similar nonmetallic devices.

Experience the convenience of proximity without the expense of rebadging!

### Features

- ▶ Offers consistent read range and reliable operation.
- ▶ The size of a coin, the Tag easily attaches to all nonmetallic materials.
- ▶ The Tag can be programmed in any HID proximity format, and is compatible with all HID proximity readers.
- ▶ The Tag is RF-programmable for ease of encoding with HID's ProxProgrammer®.

## Features

<b>Description</b>	RF programmable, 125 kHz, customer specified numbers.
<b>Proven, Reliable Technology</b>	Offers extremely consistent read range. Unaffected by body shielding or variable environmental conditions, even when close to keys and coins.
<b>Security</b>	Over 1.9x1025 unique codes available.
<b>Long Life</b>	Passive, no-battery design allows for an infinite number of reads.
<b>Warranty</b>	Warranted against defects in materials and workmanship for two years from date of shipment. (See warranty policy for details.)



Sample placement shown - actual placement will depend on application. Due to variations in cards and reading devices, HID does not claim that the MicroProx® Tag will work in every situation. Functional and non-functional MicroProx Tags are available for compatibility testing with existing credential and reader technologies. Compatibility should be confirmed prior to ordering.

## Specifications

### Typical Maximum\* Read Range

ProxPoint® Plus reader up to 2.0" (5.1 cm)  
MiniProx® reader up to 2.25" (5.7 cm)  
ThinLine® II reader up to 2.5" (6.4 cm)  
Prox80™ reader up to 2.25" (5.7 cm)  
ProxPro® II reader up to 3.5" (8.9 cm)  
ProxPro® reader up to 4" (10.2 cm)  
MaxiProx® reader up to 4.5" (11.4 cm)  
\*Depending on local installation conditions.

### Data Storage

Up to 84 bits (Over 1.9x1025 codes)

### Dimensions

Diameter: 1.285" (3.264 cm)  
Thickness: 0.070" (0.178 cm)

### Outer Shell Material

Lexan

### Operating Temperature

-50° to 160° F (-45° to 70° C)

### Weight

0.04 oz (1.18 g)

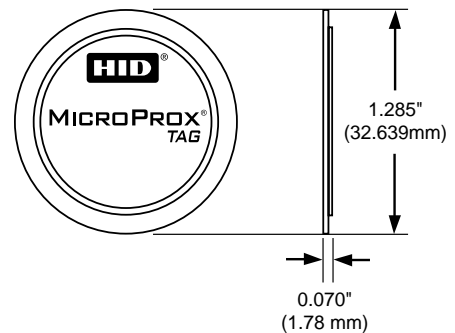
### Part Number

Base Part No.: 1391

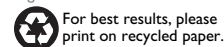
### Options

Color - black or gray

(Please see "How to Order Guide" for a description of the options and associated part numbers.)



© 2007 HID Global. All rights reserved. HID, and the HID logo are trademarks or registered trademarks of HID Global in the U.S. and/or other countries. All other trademarks, service marks, and product or service names are trademarks or registered trademarks of their respective owners. Rev. 4/2007



MKT-MICROPROX\_DS\_EN



**ACCESS** experience.

[hidcorp.com](http://hidcorp.com)

#### HID Global Offices:

**Corporate North America**  
9292 Jeronimo Road  
Irvine, CA 92618-1905  
U.S.A.  
Phone: (800) 237-7769  
Phone: (949) 598-1600  
Fax: (949) 598-1690

**Asia Pacific**  
19/F 625 King's Road  
North Point  
Island East  
Hong Kong  
Phone: +852 3160-9800  
Fax: +852 3160-4809

**Latin America**  
Circunvalacion Ote. #201 B  
Despacho 2  
Col. Jardines del Moral  
Leon 37160, Gto.  
Mexico  
Phone: +52 477 779 1492  
Fax: +52 477 779 1493

**Europe, Middle East & Africa**  
Homefield Road  
Haverhill, Suffolk  
CB9 8QP  
England  
Phone: +44 (0) 1440 714 850  
Fax: +44 (0) 1440 714 840