

eReflex ELECTRIC RANGE

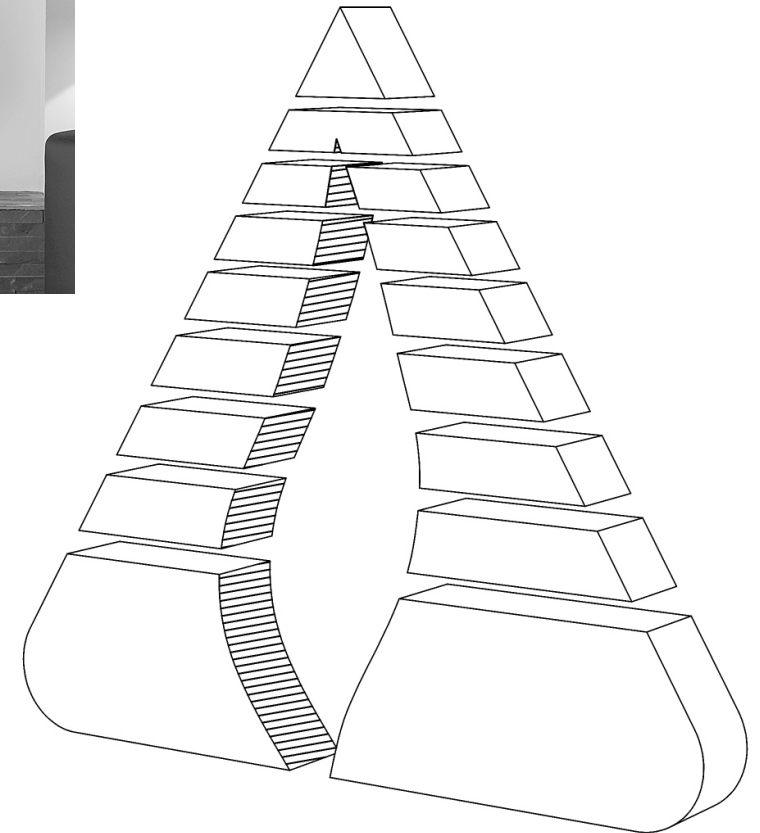
INSET LED FIRE/ CHEMINEE A LED ENCASTREE/ INZET LED FIRE/
FOCOLARE LED INCASSATO/ INNFELT LED-PEIS/ ESTUFA LED EMPOTRADA



DESIGN COMPLIANT



Instructions for Use, Installation & Servicing
Instructions d'installation et d'utilisation
Installatie en gebruikershandleiding
Istruzioni per l'uso, l'installazione e la manutenzione
Instruksjoner for bruk, installasjon og service
Instrucciones de instalación y manipulación



User Instructions

IMPORTANT

**THE HEATER OUTLET GRILLE BECOMES VERY HOT WHILST IN OPERATION.
DO NOT COVER THE OUTLET GRILLE OR ANY PART OF THE APPLIANCE.**


For use with 230V 50Hz electricity supply only.

Please read these instructions carefully before installation and keep them in a safe place.

They will be needed when maintenance or servicing is required.

THIS APPLIANCE MUST BE EARTHED

1. Important Information and Health and Safety

- 1.1 **Read all of the instructions carefully before using the appliance.**
- 1.2 **Remove all packaging and dispose of at an appropriate recycling facility.**
- 1.3 Do not locate this appliance immediately below a fixed socket outlet.
- 1.4 Do not use this appliance in the immediate surroundings of a bath, shower, swimming pool or any other area where the appliance could come into contact with water or humidity, e.g. a bathroom.
- 1.5  **WARNING! DO NOT COVER**
Do not allow the appliance to be covered or let the air inlet/outlet become obstructed as the appliance may overheat. Please note the warning symbol on the appliance (see above).
- 1.6 **For indoor use only.** This appliance is not suitable for use outside the house.
- 1.7 This appliance must be installed in a purpose built studwork enclosure. Ensure the appliance is level and that furniture, curtains etc. are positioned no closer than 1m.
- 1.8 Where the electricity supply cable has to pass through a fire place, stone surround etc. ensure suitable rubber bushes are fitted at possible wear points.

- 1.9 Keep the power cord away from hot surfaces and hot conditions. Do not route the power lead in front of the appliance.
- 1.10 When the fire has been installed the position of the plug must be accessible.
- 1.11 If the electricity supply cable is damaged do not use the appliance until it has been replaced. For safety reasons the replacement has to be carried out by a Gazco service agent or a similarly competent electrician.
- 1.12 **CAUTION:** In order to avoid a hazard due to inadvertent resetting of the thermal cut-out, this appliance must not be supplied through an external switching device, such as a timer, or connected to a circuit that is regularly switched on and off by the utility.
- 1.13 Do not operate the appliance if it is damaged.
- 1.14 Repairs of electrical appliances must only be performed by an electrical engineer. Should the appliance fail to operate, or in case of any damage, please contact the retailer from whom the appliance was purchased.
- 1.15 This appliance can be used by children aged from 8 years and above and persons with reduced physical, sensory or mental capabilities or lack of experience and knowledge if they have been given supervision or instruction concerning use of the appliance in a safe way and understand the hazards involved. Children of less than 3 years should be kept away unless continuously supervised.

Children aged from 3 years and less than 8 years shall only switch on/off the appliance provided that it has been placed or installed in its intended normal operating position and they have been given supervision or instruction concerning use of the appliance in a safe way and understand the hazards involved. Children aged from 3 years and less than 8 years shall not plug in, regulate and clean the appliance or perform maintenance.

However Gazco recommend:

This appliance is not intended to be used by persons under the age of 12, persons with reduced physical, sensory or mental capabilities or persons with lack of experience and knowledge in the safe operation of the appliance.

The appliance may be operated by persons above the age of 12 provided they have been instructed in the safe use of the appliance and that they understand the hazards involved. Persons above the age of 12 may also operate the appliance under the supervision of a responsible adult.

Parts of this appliance become hot whilst in operation and under no circumstances should persons under the age of 12 be left alone with the product when it is in operation unless a suitable fireguard is used to protect them against the possibility of coming into direct contact with the appliance.

Children shall not play with the appliance.

Cleaning and user maintenance shall not be made by children without supervision.

2. Operating Instructions



WARNING! Do not operate the appliance if it is damaged or has malfunctioned. If you suspect the appliance is damaged or has malfunctioned call a qualified service engineer to inspect the appliance, and replace any part of the electrical system if necessary, before reuse.

Do not disconnect the power at the mains supply whilst the appliance is running. Use the functions on the remote to turn the fire off and ensure the mains switch has been moved to the off position before disconnecting.

GENERAL

- 2.1 The appliance can be operated by the radio frequency handset or the manual controls which are on the right hand side of the viewing window.

User Instructions



NOTE: To use both remote and manual functions the manual on/off switch must be in 'ON' position. In order to prevent the product becoming too hot, there is a 10s delay when turning on the heater and a 10s delay when turning off the heater fan.

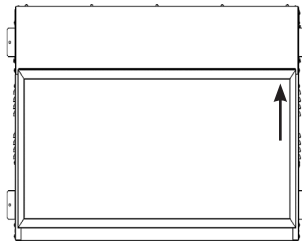
The manual button controls basic functions, not a full range of controls. Use the remote hand set to carry out all functions.

PREPARATION BEFORE USE

Batteries:

- 2.2 Ensure that the handset batteries are new and inserted correctly.
- 2.3 Dispose of old batteries at an appropriate recycling facility.

LOCATION OF POWER SWITCH



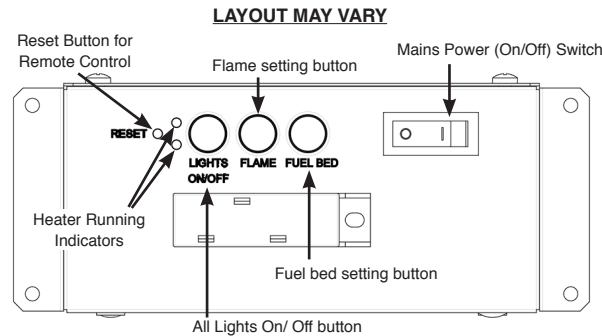
2a. Manual Control Panel

- 2a.1 The manual controls on appliance are located at the upper right of appliance.
- 2a.2 Turning on the appliance with the main power switch on '—' position. A long beep will be heard.
- 2a.3 Press "LIGHTS ON/OFF" to turn on or turn off both the flame and fuel bed at the same time.
- 2a.4 There are 3 flame colour options:

Press "FLAME" button to select the colour of flame or return to the OFF position.

2a.5 There are 14 fuel bed colour options:

Press "FUEL BED" button to select the colour of fuel bed or return to the OFF position.



Note: The appliance will lose the memory for the light functions when the switch is set to the Off Position or the remote runs out of power.

Heater Running Indicators (see Diagram)

- 2a.6 When the fan heater is used in conjunction with the flame or fuel bed effects the heater running indicators will light up for 10 seconds.

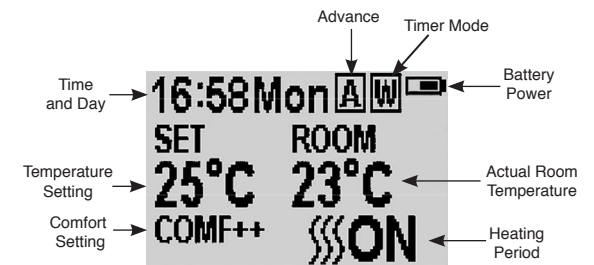
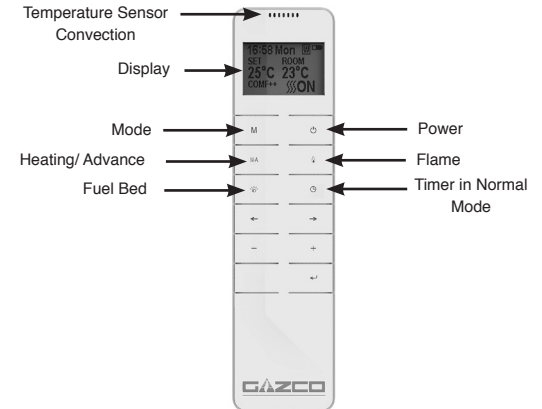
The LEDs will illuminate for 10 seconds if the flame or fuel bed effect is On.
If the fan heater is used independently, the heater running indicators will stay on.

Reset Button for Remote Control

- 2a.7 **If the handset loses signal or needs to be replaced then, see Servicing Section for details.**

2b. Remote Controls

The remote control should be left on a flat surface in the room where the appliance is installed and away from any direct flow of hot air.



Signal Code

- 2b.1 The remote control works by radio signal. The handheld transmitter is configured in the factory with a unique signal code.




IMPORTANT: If the handset loses signal or needs to be replaced, see Servicing Section for details.



NOTE: The remote control has a Battery Status indicator (top right corner), after an extended period of displaying empty the LED screen will cease to function despite the handset still being able to send commands. Replace the batteries to restore display.

User Instructions

Turn on/off

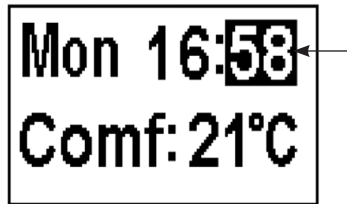
- 2b.2 Press  button to turn on the flame effect.
- 2b.3 Press  button to turn off all the functions under the normal heating control mode including flame effect and fan heater.
- 2b.4 Press  button to turn off the flame effect under daily and week timer heating mode.

Week Days/ Time/ Comfort Temperature and Unit Setting

On activation it is recommended that the clock is reset to the correct time to ensure accuracy of the appliance operation.


- 2b.5 Hold the **M** button for 3 seconds to enter the setting screen.
- 2b.6 Press the '←' or '→' button to choose setting to change.

The selected character will be highlighted, see Diagram.



- 2b.7 Press the '+' or '-' button to adjust the number.

Time: 24-hour system.
Select Comfort temperature from 15-25°C.
Temperature unit: °C/°F.

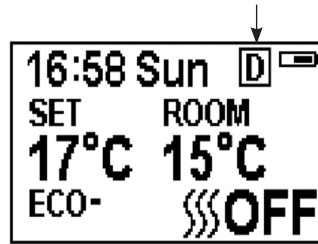
- 2b.8 Press the  button for 3 seconds or wait 10 seconds to save and exit the week, time and heating temperature setting.


Daily Timer Heating

- 2b.9 The following heating periods have been preset, these can be altered if desired:

06:00 until 08:00
17:00 until 22:00

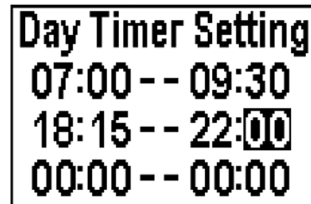
- 2b.10 Press **M** until **D** shows at the upper right corner of the screen to enter the daily timer heating mode.




- 2b.11 Hold the  button for 6 seconds to enter the daily heating setting.
A maximum of 3 timed heating periods can be set per day.

- 2b.12 Press '←' or '→' to choose hour or minute.

- 2b.13 Press '+' or '-' to set the number.
The minute increment / decrement by 15min per press.



- 2b.14 Hold the  button for 3 seconds or wait for 10 seconds to save and exit the heating time period setting.

- 2b.15 Check the timer setting. Press  to check the daily timer mode.

- 2b.16 If the heating needs to be turned off, it will be necessary to go back to the Normal Control Mode to it turn off.

When in Daily Timer Mode switching the appliance off with the remote will stop the light output. The heat output will continue according to the timer settings.

Adjusting the Set Temperature

- 2b.17 Press the '+' or '-' button to increase or decrease the temperature on the basis of COMF temperature.

COMF means the actual temperature is the same as setting.

ECO means the actual temperature is 2°C lower than the setting temperature.

ECO- means 4°C lower, COMF+ means 2°C higher.

COMF++ means 4°C higher.

Adaptive start control

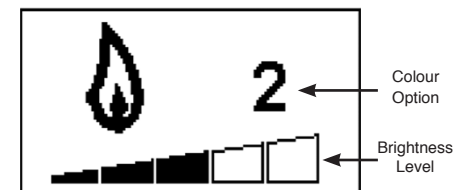
According to room temperature and set-pointed temperature, the heater will automatically determine the appropriate time to heat to ensure that it will reach the set-pointed temperature in the set time (up to 45 minutes prior to the set time).

Flame Colour Adjustment

- 2b.18 Press  button to enter the flame adjustment screen.

There are 3 flame colour options, indicated by the number shown in Diagram.

There are 6 levels of brightness, including off. This is indicated by the bar, with the blank bar indicating off, see Diagram.




User Instructions

2b.19 Press the '←' or '→' button to cycle through the flame colour options.

2b.20 Press the '+' button to increase the flame brightness.

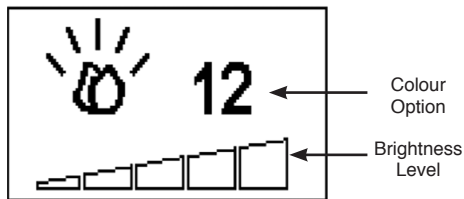
Press the '-' button to decrease the flame brightness until off.

Fuel Bed Colour Adjustment

2b.21 Press  to enter the fuel bed light adjustment screen.

There are 14 fuel bed colour options, indicated by the number shown.

There are 6 levels of brightness, including off. This is indicated by the bar, with the blank bar indicating off, see Diagram.



2b.22 Press the '←' or '→' button to cycle through the fuel bed colour options.

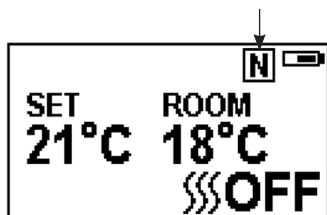
2b.23 Press the '+' button to increase the fuel bed brightness.

Press the '-' button to decrease the fuel bed brightness until off.

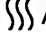
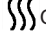
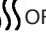
Normal Control Mode

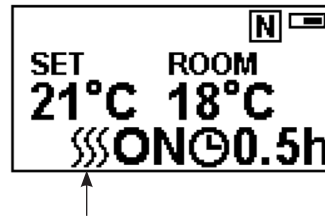
2b.24 Normal Control Mode is the default setting.

Alternatively press **M** button until the **N** logo is shown at the upper right corner of the screen, see Diagram.



2b.25 Press the '+' or '-' button to adjust the setting temperature from 17°C to 25°C.

2b.26 Press  **A** button to turn the heat on/off,  ON or  OFF will show at the lower right corner of the screen, see Diagram.




Note: It is normal for the fan heater to stop running for periods of time. This happens if the room temperature is higher than the temperature set on the control.

The heater indicator will be turned off after 10s if the flame is switched ON. The heater indicator will stay ON if only the heating function is used.

When in Normal Control Mode switching the appliance off with the remote will stop both the light and heat output.

Count Down Timer




This setting is only in normal heating control mode. It allows the appliance to be returned to Standby after a set period of time. The heater must be switched on to use this function.

2b.27 Press  to cycle through the setting from Off and 0.5 hours to 9 hours. Timer logo and remaining time will show on the screen.

The heater of appliance can be automatically run by using daily timer and weekly timer on the remote.

Battery

The battery power level is indicated at the top right of the remote control screen, see Diagram.

	Battery Full	No action required
	Battery Half Power	Ensure new batteries are available.
	Battery Empty	Replace batteries immediately

Battery replacement is recommended after 1 year. The Remote requires two 1.5V alkaline AAA batteries.


Changing the batteries will not affect the Timer Mode settings, however, the clock may need adjusting.

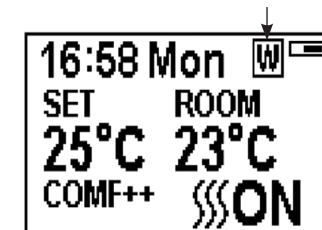
Week Timer Heating

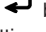
2b.28 The following heating periods have been preset, these can be altered if desired:

From Monday to Friday
06:00 until 08:30
17:00 until 22:00

From Saturday to Sunday
06:30 until 09:30
11:00 until 13:00
17:00 until 22:00


2b.29 Press **M** until  shows at the upper right corner of the screen to enter the week heating mode.

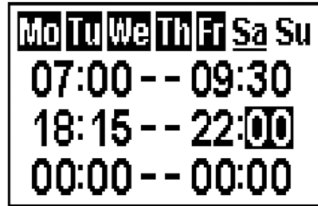


2b.30 Hold the  button for 6 seconds to enter the week timer heating mode setting.

2b.31 Press '←' or '→' to move the cursor (a flashing underline).

User Instructions


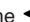

- 2b.32 Press the  button in the corresponding week position to select (the character is highlighted) or cancel (the character is displayed normally) the current setting, the same time period can be selected together.



- 2b.33 Press the '→' button to move the cursor to the time period setting area.
- 2b.34 Press '←' or '→' button to choose hour or minute.
- 2b.35 Press '+' or '-' to set the number.

A maximum of 3 timed heating periods can be set per day.

Minute increment / decrement by 15min per press.

- 2b.36 Press  to set the heating time for the selected day and return to the week line.
- 2b.37 Hold the  button for 3 seconds or wait for 10 seconds to save and exit the heating time period setting.
- 2b.38 Press  '←' or '→' to check the timer setting for the week timer heating mode.
- 2b.39 If the heating needs to be turned off, it will be necessary to go back to the Normal Control Mode to it turn off.

When in Weekly Timer Mode switching the appliance off with the remote will stop the light output. The heat output will continue according to the timer settings.

Adjusting the Set Temperature

- 2b.40 Press the '+' or '-' button to increase or decrease the temperature on the basis of COMF temperature.

COMF means the actual temperature is the same as setting.

ECO means the actual temperature is 2°C lower than the setting temperature.

ECO- means 4°C lower.

COMF+ means 2°C higher.

COMF++ means 4°C higher.

Adaptive start control

According to room temperature and set-pointed temperature, the heater will automatically determine the appropriate time to heat to ensure that it will reach the set-pointed temperature in the set time (up to 45 minutes prior to the set time).

Advance mode

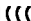

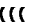
- 2b.41 The heating state can be advanced to the next period is under both the daily and week timer heating mode.



If the heater is on in the current period, pressing the button will turn the heater off.

If the heater is off in the current period, pressing the button will turn the heater on.

Whether the actual heating will be on/off also depends on the room temperature and setting temperature.

- 2b.42 Press  to enter the Advance mode under the daily and week timer heating mode,  will show at the upper right corner of the screen.
- 2b.43 Press  again or timer period ends will exit the Advance mode.

Window open detecting

- 2b.44 When the transmitter detects a rapid drop in room temperature, it will be judged as an open window: the warning icon will be displayed and the heating will be turned off automatically.



- 2b.45 After indoor temperature rise or manual intervention (by operating remote control), it will return to normal working state.

3. Maintenance

- 3.1 **ALWAYS UNPLUG FROM MAINS SUPPLY BEFORE CLEANING OR UNDERTAKING ANY MAINTENANCE.**

GENERAL CLEANING

- 3.2 Only clean the outer casing when it is cold. Do not use abrasive cleaners.

CLEANING FRONTS

- 3.3 Wipe the glass viewing panel with a damp cloth and buff with a lint free duster.

Caution: Do not use abrasive cleaners on the glass panel. Do not spray liquids directly onto any surface of the unit.

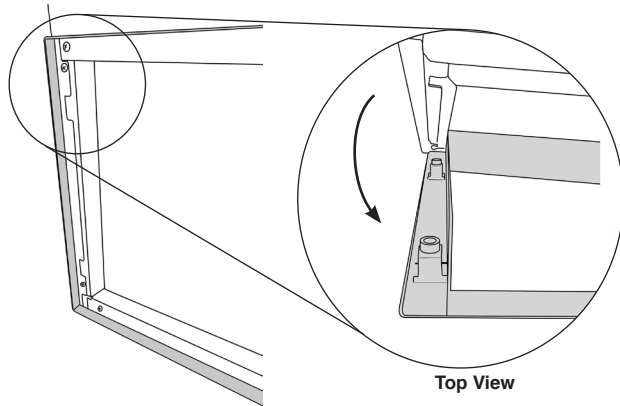
CLEANING THE FUEL EFFECT

To access the fuel effect it will be necessary to remove the glass viewing panel.

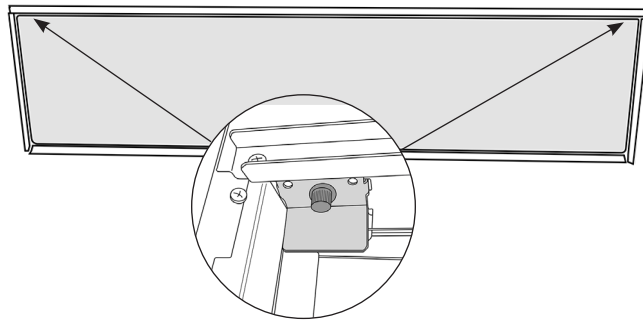
- 3.4 Ensure the appliance is unplugged.

User Instructions

- 3.5 First remove the decorative trim.
The trim is held on by magnets. Pull gently forward to remove, see Diagram.

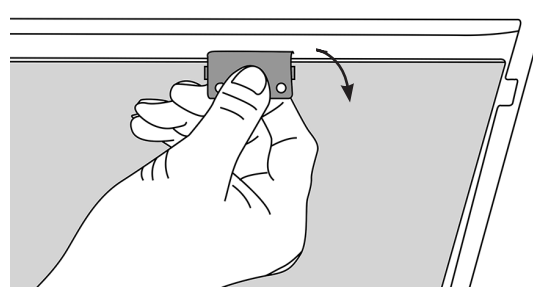


- 3.6 There is a clamp at the top of each corner of the glass viewing panel that secure the glass in place, see Diagram.



- 3.7 Supporting the glass, loosen and remove the 2 clamps.
These can be unscrewed using just finger tips.

- 3.8 Carefully tip the glass forward and lift out of the lower tray to remove from the appliance, see Diagram.
The clamp can be used to aid removal.

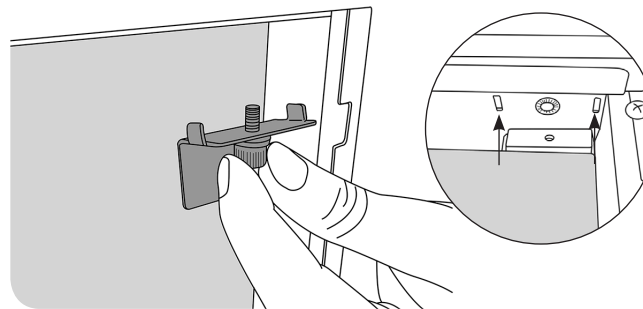


The fuel effect can now be accessed.

- 3.9 Remove and wash the fuel effect to remove any dust particles.
Alternatively clean with a lint free duster.
Ensure that the effect is dry before replacing.

- 3.10 Replace the glass following the instructions in reverse order.

When replacing the clamps ensure that the tabs on the clamps locate in the slots on the appliance, see Diagram.

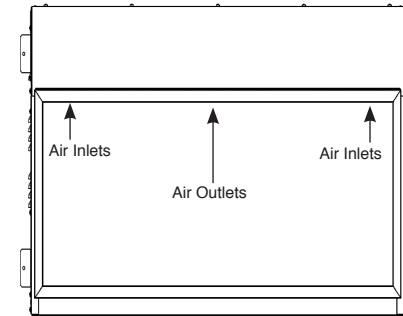


- 3.11 Replace the decorative trim.

CLEANING AIR INLETS

- 3.12 Ensure the appliance is unplugged.

- 3.13 Clean the air inlet and outlet grilles regularly with a soft cloth or the nozzle of a vacuum cleaner.



Dust build-up can inhibit efficient performance of the fan and lead to the safety cut-out operating.

- 3.14 Keep the area around the appliance clean and free of fluff, dust or pet hair.
- 3.15 In particular, build-up of dust etc. can occur around the heater area. Take particular care to keep this area free from such particles on a regular basis to prevent build-up.

BATTERY REPLACEMENT

- 3.16 When the remote battery is low it must be changed immediately.
Install correct replacement and dispose of the old battery carefully at an appropriate recycling facility.

Instructions d'Utilisation

IMPORTANT


LA GRILLE D'ÉVACUATION DU SYSTÈME DE CHAUFFAGE DEVIENT TRÈS CHAUDE LORS DU FONCTIONNEMENT. NE PAS COUVRIR LA GRILLE D'ÉVACUATION NI TOUTE AUTRE PARTIE DE L'APPAREIL.

Pour utilisation uniquement avec une alimentation électrique de 230V, 50Hz.

Veuillez lire ces instructions avec attention avant de procéder à l'installation, et les conserver en lieu sûr car vous en aurez besoin en cas de maintenance et de service.

CET APPAREIL DOIT ÊTRE RELIÉ À LA TERRE

1. Informations Importantes Et Hygiène Et Sécurité

- 1.1 **Lisez attentivement toutes les instructions avant d'utiliser l'appareil.**
- 1.2 **Les emballages doivent être jetés dans un centre de recyclage approprié.**
- 1.3 Ne pas placer l'appareil immédiatement au-dessous d'une sortie fixe de prise.
- 1.4 Ne pas utiliser cet appareil à proximité immédiate d'une baignoire, d'une douche, d'une piscine ou de tout autre lieu où l'appareil risque d'être en contact avec l'eau.
- 1.5  **ATTENTION: NE PAS RECOUVRIR!**
ATTENTION: Ne pas recouvrir l'appareil ou boucher l'arrivée / la sortie d'air car cela risque de provoquer la surchauffe de l'appareil. Veuillez noter le symbole d'avertissement sur l'appareil (voir ci-dessus).
- 1.6 **Uniquement pour utilisation à l'intérieur.** Cet appareil n'est pas adapté à une utilisation à l'extérieur de la maison.
- 1.7 Éloigner le câble d'alimentation électrique des surfaces chaudes et des zones à haute température. Ne pas faire passer le câble d'alimentation électrique devant l'appareil.
- 1.8 Cet appareil doit être installé dans une enceinte à ossature murale spécialement conçue à cet effet. Veiller à ce que l'appareil soit à niveau et à ce que tout mobilier ou rideau soit positionné à au moins 1 m.
- 1.9 Une fois l'appareil installé, l'emplacement de la prise doit être accessible.

- 1.10 Lorsque le câble d'alimentation électrique doit passer à travers une cheminée, un entourage en pierre, etc., le munir d'une bague en caoutchouc aux points de frottement possible.
- 1.11 Si le câble d'alimentation électrique est endommagé, ne pas utiliser l'appareil jusqu'à ce qu'il ait été remplacé. Pour des questions de sécurité, le remplacement doit être effectué par la société Gazco, un agent de service Gazco ou bien par un électricien compétent.
- 1.12 **ATTENTION :** Afin d'éviter tout danger suite à une réinitialisation accidentelle de la coupure thermique, cet appareil ne doit pas être alimenté par un dispositif de commutation externe, comme un minuteur ou connecté à un circuit qui est régulièrement mis sous et hors tension par l'utilité.
- 1.13 Ne pas utiliser l'appareil s'il est endommagé.
- 1.14 Les réparations des appareils électriques ne doivent être effectuées que par un électricien. Si l'appareil ne fonctionne pas ou en cas de dommages, veuillez contacter le revendeur qui vous a livré l'appareil.
- 1.15 Cet appareil peut être utilisé par des enfants âgés de 8 ans et plus et par des personnes ayant des capacités physiques, sensorielles ou mentales réduites ou manquant d'expérience et de connaissances, si elles sont sous surveillance ou suivent les instructions relatives à l'utilisation de l'appareil de manière sûre et comprennent les risques inhérents. Les enfants de moins de 3 ans doivent toujours être tenus éloignés sauf s'ils sont constamment surveillés.

Les enfants entre 3 ans et 8 ans ne devront mettre sous/hors tension l'appareil que si ce dernier a été placé ou installé dans sa position d'utilisation normale prévue et sous surveillance ou en suivant les instructions relatives à l'utilisation de l'appareil de manière sûre et s'ils comprennent les risques inhérents. Les enfants entre 3 ans et 8 ans ne devront pas brancher, régler et nettoyer l'appareil ni l'entretenir.

Toutefois, Gazco recommande :

L'usage de cet appareil est déconseillé aux personnes de moins de 12 ans, aux personnes aux capacités intellectuelles, sensorielles ou physiques limitées ou aux personnes qui manquent d'expérience et de connaissance pour manipuler cet appareil en toute sécurité.

L'appareil peut être manipulé par des personnes de plus de 12 ans à condition qu'elles aient bien assimilé les consignes de sécurité de l'appareil et qu'elles ont compris les risques encourus. Les personnes âgées de plus de 12 ans peuvent aussi manipuler l'appareil sous la surveillance d'un adulte responsable.

Les pièces de cet appareil deviennent chaudes quand il est en marche et il ne faut en aucun cas laisser des personnes de moins de 12 ans sans surveillance avec le produit en marche à moins qu'un coupe-feu ne soit utilisé pour les empêcher d'entrer en contact direct avec l'appareil.

De ne pas laisser les enfants jouer avec l'appareil.

De ne pas laisser les enfants effectuer le nettoyage et l'entretien sans surveillance.

2. Mode d'emploi



ATTENTION! Ne pas allumer l'appareil s'il est endommagé ou en cas de dysfonctionnement. Si vous pensez que l'appareil est endommagé ou en cas de dysfonctionnement, veuillez contacter un technicien de service qualifié pour inspecter l'appareil, et remplacer toutes pièces du circuit électrique si nécessaire avant de le remettre en marche.

De ne pas débrancher l'appareil du secteur lorsque l'appareil fonctionne. Utilisez les fonctions de la télécommande pour arrêter le feu et veillez à ce que l'interrupteur d'alimentation soit placé sur la position arrêt avant de débrancher.

GÉNÉRALITÉS

- 2.1 L'appareil peut être commandé soit par le casque à fréquences radio, soit par les commandes manuelles qui se trouvent à droite de la fenêtre de visualisation.



REMARQUE : Pour utiliser les fonctions de la télécommande et manuelles, l'interrupteur marche/arrêt manuel doit être sur la position 'ON'. Pour éviter une surchauffe du produit, il y a un délai de 10 s lors de la mise en marche de l'appareil de chauffage et un délai de 10 s lors de l'arrêt du ventilateur de l'appareil de chauffage.

Le bouton manuel commande les fonctions de base, pas toutes les commandes. Utilisez la télécommande pour exécuter toutes les commandes.

PRÉPARATION AVANT UTILISATION

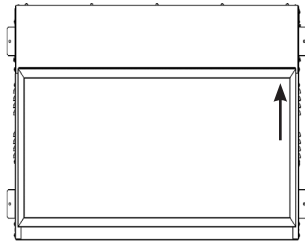
Piles:

- 2.2 Veiller à ce que les piles électriques de la télécommande soient neuves et insérées correctement.

Instructions d'Utilisation

2.3 Lors du remplacement des piles, veiller à disposer des vieilles piles conformément à la bonne pratique.

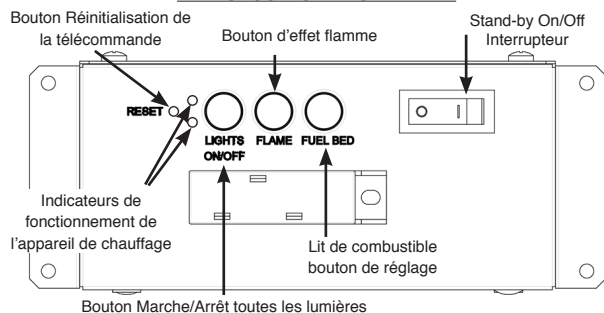
EMPLACEMENT DE L'INTERRUPTEUR MARCHÉ/ARRÊT



2a. Panneau de commande manuelle

- 2a.1 Les commandes manuelles sur l'appareil sont placées en haut à droite de l'appareil.
- 2a.2 Mise en marche de l'appareil avec l'interrupteur d'alimentation sur la position marche '—'. Un long bip retentira.
- 2a.3 Appuyez sur « LIGHTS ON/OFF » pour allumer ou éteindre la flamme et le lit de combustible en même temps.
- 2a.4 Il existe 3 options de couleur de flamme :
- Appuyez sur le bouton « FLAME » pour sélectionner la couleur de la flamme ou retournez sur la position ARRÊT.
- 2a.5 Il existe 14 types de lit de combustible :
- Appuyez sur le bouton « FUEL BED » pour sélectionner la couleur du lit de combustible ou retournez sur la position ARRÊT.

LA DISPOSITION PEUT VARIER



Remarque : Les fonctions d'éclairage de l'appareil seront effacées lorsque l'interrupteur sera placé sur la position Arrêt ou si la télécommande est déchargée.

Indicateurs de fonctionnement de l'appareil de chauffage (voir Schéma).

2a.6 Lorsque l'appareil de chauffage du ventilateur est utilisé avec les effets flamme ou lit de combustible, les indicateurs de fonctionnement de l'appareil de chauffage s'allumeront pendant 10 secondes.

Les LED s'allumeront pendant 10 secondes si l'effet flamme ou lit de combustible est Activé.

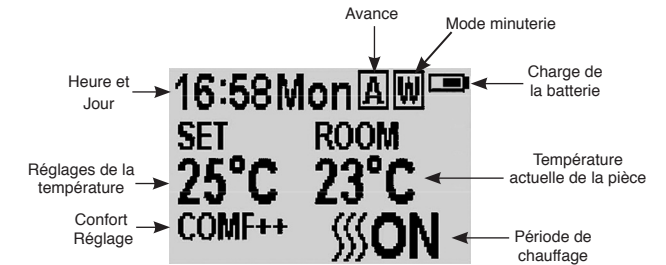
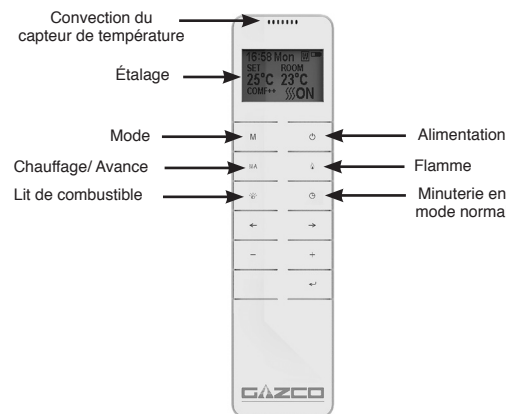
Si l'appareil de chauffage du ventilateur est utilisé indépendamment, les indicateurs de fonctionnement de l'appareil de chauffage resteront allumés.

Bouton Réinitialisation de la télécommande

2a.7 **Si le casque perd le signal ou doit être remplacé, veuillez consulter la Section réparation pour en savoir plus.**

2b. Commandes à distance

La télécommande doit être posée sur une surface plane dans la pièce où l'appareil est installé et loin du courant d'air chaud direct.



Code de signal

2b.1 La télécommande fonctionne par signal radio. L'émetteur portable est configuré en usine avec un code de signal unique.

IMPORTANT : Si le casque perd le signal ou doit être remplacé, veuillez consulter la Section réparation pour en savoir plus.

REMARQUE : la télécommande comporte un témoin de piles (coin supérieur droit) ; après un affichage prolongé de l'état vide, l'écran LED cessera de fonctionner même si la télécommande peut encore envoyer des commandes. Remplacer les piles pour rétablir l'affichage.

Mise sous/hors tension

- 2b.2 Appuyez sur le bouton pour activer l'effet flamme.
- 2b.3 Appuyez sur le bouton pour désactiver toutes les fonctions en mode de commande de chauffage normal y compris l'effet flamme et l'appareil de chauffage du ventilateur.
- 2b.4 Appuyez sur le bouton pour désactiver l'effet flamme en mode de chauffage minuté quotidien et hebdomadaire.

Réglage de l'unité et de la température de confort/Jours de la semaine/Heure

Lors de l'activation, il est recommandé de réinitialiser l'horloge à l'heure correcte pour assurer la précision du fonctionnement de l'appareil.

- 2b.5 Maintenez le **M** bouton pressé pendant 3 secondes pour entrer dans l'écran de réglage.
- 2b.6 Appuyez sur le bouton « ← » ou « → » pour choisir le paramètre à changer.

Instructions d'Utilisation

Le caractère sélectionné sera mis en surbrillance, voir Schéma.



2b.7 Appuyez sur le bouton '+' ou '-' pour régler le nombre.

Heure : Système 24 heures.
Sélectionnez une température de confort entre 15-25°C.
Unité de température : °C/°F.

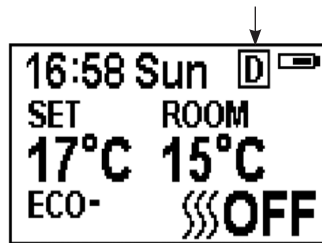
2b.8 Appuyez sur le bouton ← pendant 3 secondes ou attendez 10 secondes pour enregistrer et quitter le réglage de la semaine, heure et température.

Chauffage à minuterie quotidienne

2b.9 Les périodes de chauffage suivantes ont été prédéfinies, celles-ci peuvent être modifiées selon les besoins :

06:00 jusqu'à 08:00
17:00 jusqu'à 22:00

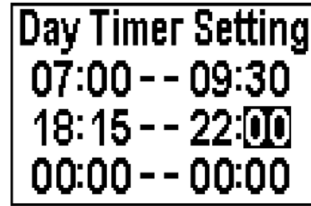
2b.10 Appuyez sur **M** jusqu'à ce que **D** s'affiche en haut à droite de l'écran pour passer en mode de chauffage à minuterie quotidienne.



2b.11 Maintenez le bouton ← pressé pendant 6 secondes pour entrer dans le paramètre du chauffage quotidien. 3 périodes de chauffage minutées maximum peuvent par configurées par jour.

2b.12 Appuyez sur '←' ou '→' pour choisir heure ou minute.

2b.13 Appuyez sur '+' ou '-' pour régler le nombre. Les minutes augmentent / diminuent de 15 par pression.



2b.14 Maintenez le bouton ← pressé pendant 3 secondes ou attendez 10 secondes pour enregistrer et quitter le réglage de la période de chauffage.

2b.15 Contrôlez le réglage de la minuterie. Appuyez sur ← pour contrôler le mode minuterie quotidienne.

2b.16 Si le chauffage doit être arrêté, il faudra revenir en arrière au Mode de commande normale pour l'arrêter.

Lorsque vous êtes en Mode minuterie quotidienne, l'arrêt de l'appareil avec la télécommande coupera la puissance calorifique. La puissance calorifique se poursuivra selon les réglages de la minuterie.

Réglage de la température définie

2b.17 Appuyez sur le bouton '+' ou '-' pour augmenter ou réduire la température sur la base de la température COMF.

COMF signifie que la température actuelle est la même que le réglage.

ECO signifie que la température actuelle est 2°C inférieure à la température du réglage.


ECO- signifie 4°C inférieure, COMF+ signifie 2°C supérieure.

COMF++ signifie 4°C supérieure.

Commande de mise en route adaptative

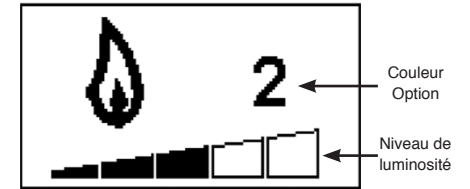
Selon la température de la pièce et la température définie, l'appareil de chauffage déterminera automatiquement l'heure appropriée à laquelle chauffer pour s'assurer qu'elle atteindra la température définie dans la durée définie (jusqu'à 45 minutes avant l'heure définie).

Ajustement de la couleur de la flamme

2b.18 Appuyez sur le bouton  pour entrer dans l'écran d'ajustement de la flamme.

Il y a 3 options de couleur de flamme, indiquées par le nombre affiché dans le Schéma.

Il y a 6 niveaux de luminosité, y compris arrêt. Ceci est indiqué par la barre, avec la barre vierge indiquant arrêt, voir Schéma.




2b.19 Appuyez sur le bouton '←' ou '→' pour parcourir les options de couleur de flamme.

2b.20 Appuyez sur le bouton '+' pour augmenter la luminosité de la flamme.

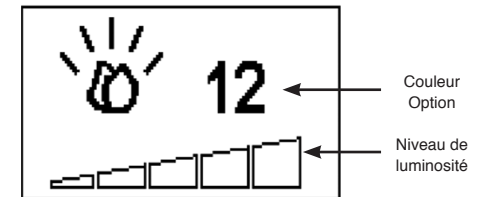
Appuyez sur le bouton '-' pour réduire la luminosité de la flamme jusqu'à l'éteindre.

Ajustement de la couleur du lit de combustible

2b.21 Appuyez sur le bouton  pour entrer dans l'écran d'ajustement de la lumière du lit de combustible.

Il y a 14 options de couleur de lit de combustible, indiquées par le nombre affiché dans le Schéma.

Il y a 6 niveaux de luminosité, y compris arrêt. Ceci est indiqué par la barre, avec la barre vierge indiquant arrêt, voir Schéma.



Instructions d'Utilisation

FRANÇAIS

2b.22 Appuyez sur le bouton '←' ou '→' pour parcourir les options de couleur de lit de combustible.

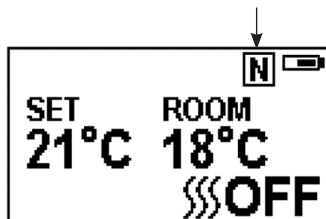
2b.23 Appuyez sur le bouton '+' pour augmenter la luminosité du lit de combustible.

Appuyez sur le bouton '-' pour réduire la luminosité du lit de combustible jusqu'à l'éteindre.

Mode de commande normale

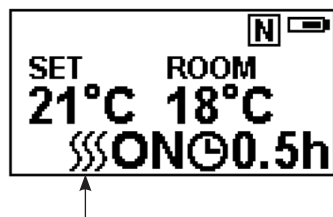
2b.24 Le Mode de commande normale est le réglage par défaut.

Sinon appuyez sur le bouton **M** jusqu'à ce que le logo **N** s'affiche en haut à droite de l'écran, voir Schéma.



2b.25 Appuyez sur le bouton '+' ou '-' pour régler la température entre 17°C et 25°C.

2b.26 Appuyez sur le bouton **SSS A** pour mettre sous/hors tension l'appareil de chauffage, **SSS MARCHE** ou **SSS ARRÊT** s'affichera en bas à droite de l'écran, voir Schéma.



Remarque : Il est normal que l'appareil de chauffage à ventilateur s'arrête de fonctionner pendant certaines durées. Ceci se produit lorsque la température de la pièce est supérieure à la température définie sur la commande.

L'indicateur de chauffage s'éteindra au bout de 10 s si la flamme est allumée. L'indicateur de chauffage restera allumé si seule la fonction chauffage est utilisée.

Lorsque vous êtes en Mode de commande normale, l'arrêt de l'appareil avec la télécommande coupera la puissance calorifique et la lumière.

Compte à rebours




Ce réglage est uniquement en mode de commande de chauffage normale. Il permet à l'appareil de revenir en mode de veille après un certain temps. L'appareil de chauffage doit être mis en marche pour utiliser cette fonction.

2b.27 Appuyez sur **⊖** pour parcourir les réglages d'Arrêt et 0,5 heures à 9 heures. Le logo de la minuterie et le temps restant s'afficheront à l'écran.

Le chauffage de l'appareil peut être lancé automatiquement en utilisant la minuterie quotidienne et la minuterie hebdomadaire sur la télécommande.

Batterie

Le niveau de puissance de la batterie est indiqué en haut à droite de l'écran de la télécommande.

	Batterie chargée	Aucune action requise
	Batterie à moitié chargée	Veillez à avoir des piles neuves à disposition.
	Batterie déchargée	Changez immédiatement les piles

Un remplacement de la batterie est recommandé au bout de 1 an. La Télécommande a besoin de deux piles alcalines AAA 1,5V.

Le changement des piles n'affectera pas les réglages du Mode minuterie, toutefois, l'horloge devra peut-être être réglée.

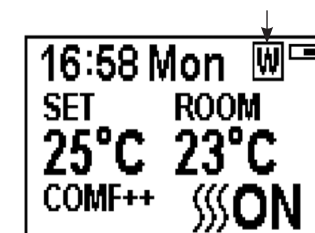
Chauffage à minuterie hebdomadaire

2b.28 Les périodes de chauffage suivantes ont été prédéfinies, celles-ci peuvent être modifiées selon les besoins :

Du lundi au vendredi
06:00 jusqu'à 08:30
17:00 jusqu'à 22:00

Du samedi au dimanche
06:30 jusqu'à 09:30
11:00 jusqu'à 13:00
17:00 jusqu'à 22:00

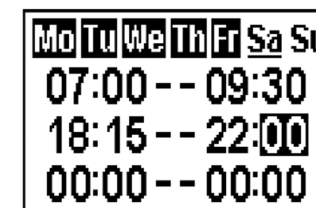
2b.29 Appuyez sur **M** jusqu'à ce que **W** s'affiche en haut à droite de l'écran pour passer en mode de chauffage semaine.



2b.30 Maintenez le bouton **←** pressé pendant 6 secondes pour entrer dans le réglage du mode de chauffage à minuterie hebdomadaire.

2b.31 Appuyez sur '←' ou '→' pour déplacer le curseur (un caractère de soulignement clignotant).

2b.32 Appuyez sur le bouton **←** à la position semaine correspondante pour sélectionner (le caractère est en surbrillance) ou annuler (le caractère est affiché normalement) le réglage actuel, la même durée peut être sélectionnée.



2b.33 Appuyez sur le bouton '→' pour déplacer le curseur dans la même zone de réglage de durée.

2b.34 Appuyez sur le bouton '←' ou '→' pour choisir heure ou minute.

2b.35 Appuyez sur '+' ou '-' pour régler le nombre.

3 périodes de chauffage minutées maximum peuvent par configurées par jour.

Les minutes augmentent / diminuent de 15 par pression.

2b.36 Appuyez sur **←** pour définir l'heure de chauffage du jour sélectionné et retourner à la ligne semaine.

Instructions d'Utilisation

2b.37 Maintenez le bouton pressé pendant 3 secondes ou attendez 10 secondes pour enregistrer et quitter le réglage de la période de chauffage.

2b.38 Appuyez sur '←' ou '→' pour contrôler le réglage de la minuterie pour le mode de chauffage à minuterie hebdomadaire.

2b.39 Si le chauffage doit être arrêté, il faudra revenir en arrière au Mode de commande normale pour l'arrêter.

Lorsque vous êtes en Mode minuterie hebdomadaire, l'arrêt de l'appareil avec la télécommande coupera la puissance calorifique. La puissance calorifique se poursuivra selon les réglages de la minuterie.

Réglage de la température définie

2b.40 Appuyez sur le bouton '+' ou '-' pour augmenter ou réduire la température sur la base de la température COMF.

COMF signifie que la température actuelle est la même que le réglage.

ECO signifie que la température actuelle est 2°C inférieure à la température du réglage.

ECO- signifie 4°C inférieure, COMF+ signifie 2°C supérieure.

COMF++ signifie 4°C supérieure.

Commande de mise en route adaptive

Selon la température de la pièce et la température définie, l'appareil de chauffage déterminera automatiquement l'heure appropriée à laquelle chauffer pour s'assurer qu'elle atteindra la température définie dans la durée définie (jusqu'à 45 minutes avant l'heure définie).

Mode avance

2b.41 L'état de chauffage peut être avancé à la période suivante en mode chauffage à minuterie hebdomadaire et quotidienne.



Si le chauffage est activé dans la période en cours, une pression sur le bouton désactivera le chauffage.

Si le chauffage est désactivé dans la période en cours, une pression sur le bouton activera le chauffage.

L'activation/désactivation du chauffage en cours dépendra également de la température de la pièce et du réglage.

2b.42 Appuyez sur A pour passer en mode Avance sous le mode de chauffage à minuterie hebdomadaire et quotidienne, s'affichera en haut à droite de l'écran.

2b.43 Appuyez sur A à nouveau ou attendez la fin de la durée de la minuterie pour quitter le mode Avance.

Détection de fenêtre ouverte

2b.44 Lorsque l'émetteur détecte une chute rapide de la température de la pièce, elle sera considérée comme une fenêtre ouverte : l'icône d'avertissement s'affichera et le chauffage sera automatiquement désactivé.



2b.45 Une fois que la température ambiante aura remontée ou après une intervention manuelle (en utilisant la télécommande), il retournera à l'état de fonctionnement normal.

3. Maintenance

3.1 **TOUJOURS COUPER L'ALIMENTATION ÉLECTRIQUE PRINCIPALE AVANT D'ENTREPRENDRE LE NETTOYAGE OU L'EXÉCUTION DE LA MAINTENANCE.**

GENERAL NETTOYAGE

3.2 Ne procéder au nettoyage du cadre externe que lorsqu'il est froid. Ne pas utiliser de nettoyeurs abrasifs.

NETTOYER LES FRONTS

3.3 Essuyer le panneau vitré d'observation avec un chiffon humide et le polir avec un chiffon non pelucheux.

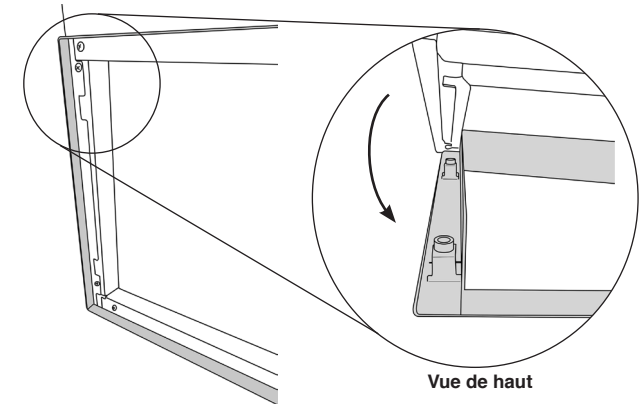
Attention : ne pas utiliser de nettoyeurs abrasifs sur le panneau en verre. Ne pas projeter de liquide directement sur les surfaces de l'appareil.

NETTOYAGE DE L'EFFET DE CARBURANT

Pour accéder à l'effet combustible, il est nécessaire de déposer la vitre de visualisation.

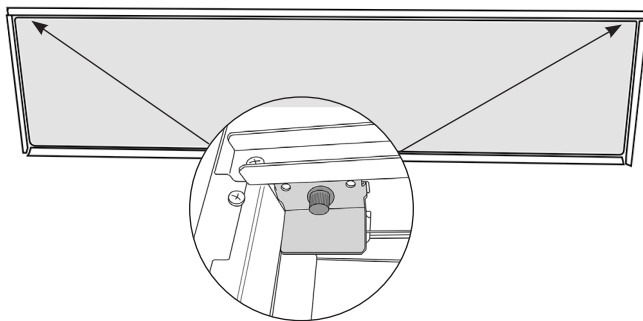
3.4 Couper l'alimentation électrique principale.

3.5 Commencez par retirer la garniture décorative. La garniture est maintenue en place par des aimants. Tirez doucement vers l'avant pour la retirer, voir Schéma.

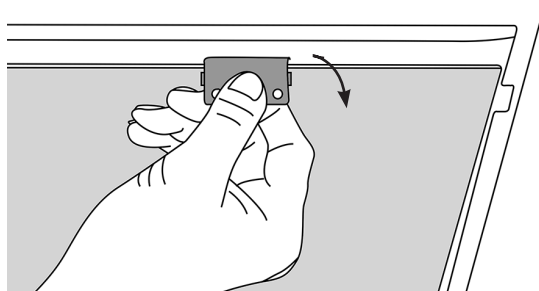


Vue de haut

- 3.6 Il y a une pince en haut de chaque coin de la vitre de visualisation, dont la fonction est de maintenir la vitre en place, voir Schéma.



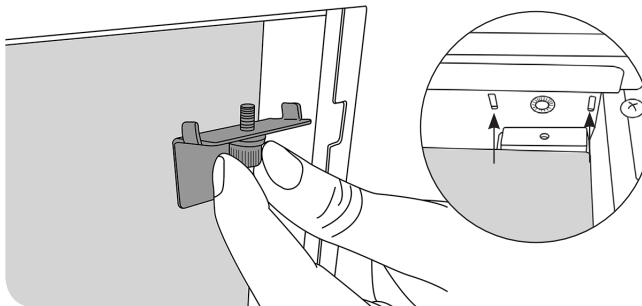
- 3.7 Tout en soutenant la vitre, desserrer et déposer les 2 pinces. Celles-ci peuvent être dévissées avec les doigts.
- 3.8 Faire basculer la vitre avec précaution et la soulever du plateau inférieur pour la retirer de l'appareil, voir Schéma. La pince peut être utilisée pour faciliter la dépose.



L'effet combustible est maintenant accessible.

- 3.9 Déposer et laver l'effet combustible pour éliminer toute particule de poussière. Autrement, le nettoyer avec un chiffon sans peluches. **Veiller à ce que l'effet soit sec avant de le remettre en place.**
- 3.10 Remettre la vitre en place en suivant les instructions en sens inverse.

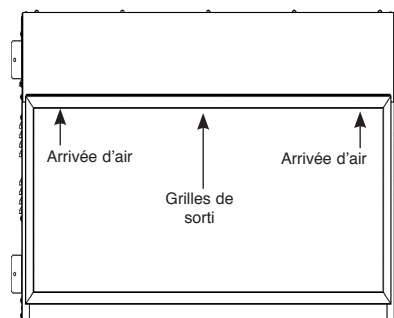
Lors de l'installation des pinces, s'assurer que les onglets des pinces s'insèrent bien dans les rainures de l'appareil, voir Schéma.



- 3.11 Remettez la garniture décorative en place.

NETTOYAGE DES ARRIVÉES D'AIR

- 3.12 Couper l'alimentation électrique principale.
- 3.13 Nettoyer l'arrivée d'air et les grilles de sortie régulièrement à l'aide d'un chiffon doux ou du bec d'un aspirateur.



L'accumulation de poussière réduit l'efficacité du ventilateur et peut provoquer le déclenchement du dispositif d'arrêt d'urgence.

- 3.14 Maintenir les alentours du poêle propres et libres de peluche, de poussière ou de poils d'animaux.
- 3.15 En particulier, l'accumulation de poussière etc. peut avoir lieu autour de la zone de chauffage sur le haut de l'appareil. Prendre particulièrement soin de maintenir cette surface libre de débris régulièrement pour éviter l'accumulation.

REPLACEMENT DES PILES ÉLECTRIQUES

- 3.16 Lorsque les piles électriques de la télécommande sont faibles, elles doivent être remplacées immédiatement. Installer les nouvelles piles correctement et disposer des piles usagées conformément à la bonne pratique.

Gebruikershandleiding

BELANGRIJK

DE GRILL VAN DE VERWARMINGSUITGANG WORDT ERG HEET TIJDENS DE WERKING DEK DE UITGANGSGRILL OF EEN ONDERDEEL VAN HET APPARAAT NIET AF.

Voor het gebruik met een 230V 50Hz voeding.

Lees deze instructies vóór de installatie zorgvuldig door en berg het op een veilige plek op.

U zult deze nodig hebben wanneer er onderhoud op de haard uitgevoerd moet worden.

DIT APPARAAT MOET WORDEN GEAARD

1. Belangrijke Informatie & Veiligheidsvoorschriften

- 1.1 **Lees de hele handleiding zorgvuldig door, voordat het apparaat gebruikt wordt.**
- 1.2 **Verwijder al het verpakkingsmateriaal. De verpakking moet op de juiste manier tot afval verwerkt worden.**
- 1.3 Plaats deze haard niet rechtstreeks onder een stopcontact.
- 1.4 Gebruik deze haard niet in de onmiddellijke nabijheid van een bad, douche of zwembad, of andere gebieden waar de haard met water in contact kan komen.
- 1.5  **WAARSCHUWING! NIET BEDEKKEN**
Sta niet toe dat de haard afgedekt wordt of de luchtinlaat/afvoer verstopt kan raken omdat het apparaat dan kan oververhitten. Let op het waarschuwingssymbool op het apparaat (zie hierboven).
- 1.6 **Alleen voor gebruik binnenshuis.** Dit apparaat is niet geschikt voor gebruik buitenshuis.
- 1.7 Houd het elektriciteitssnoer uit de buurt van hete oppervlakten en voorwerpen. Laat hetelektriciteitssnoer niet langs de voorkant van het apparaat lopen.
- 1.8 Dit apparaat moet worden geïnstalleerd in een doelmatig gebouwde, gestuukte omsluiting. Zorg ervoor dat het apparaat even staat en dat de meubels, gordijnen, etc. niet dichterbij dan 1m bij het apparaat in de buurt zijn.

- 1.9 Wanneer de haard geïnstalleerd is moet de stekker toegankelijk zijn.
- 1.10 Wanneer de elektriciteitskabel door een haardstede, stenen omhulsel, enz. geleid moet worden, zorg er dan voor dat er geschikte rubberen bescherming aangebracht wordt op de punten waar slijtage kan optreden.
- 1.11 Indien de elektriciteitskabel beschadigd is, gebruik het apparaat dan niet totdat het vervangen is. Om veiligheidsredenen moet Gazco, een Gazco servicebedrijf of een elektricien met een gelijksoortige ervaring de haard vervangen.
- 1.12 **WAARSCHUWING:** Om een gevaar veroorzaakt door het onachtzaam resetten van de thermische beveiliging te voorkomen, mag dit toestel niet worden gevoed door een extern schakelapparaat, zoals een timer, en niet worden aangesloten op een circuit dat geregeld wordt aan- en uitgeschakeld door de utiliteit.
- 1.13 Het apparaat niet gebruiken als het beschadigd is.
- 1.14 Reparatie van elektrische apparatuur mag alleen door een elektricien uitgevoerd worden. Mocht het apparaat niet functioneren, of in geval van schade, kunt u contact opnemen met de winkel waar het apparaat gekocht is.
- 1.15 Dit toestel kan worden gebruikt door kinderen van 8 jaar en ouder en door personen met verminderd lichamenlijk, zintuiglijk of mentaal vermogen of met gebrek aan ervaring en kennis indien onder toezicht of met instructies betreffende het veilig gebruiken van het toestel en met kennis van mogelijke gevaren. Buiten bereik van kinderen onder de 3 jaar houden tenzij onder constant toezicht.

Kinderen tussen de 3 en 8 jaar mogen alleen het toestel aan-/uitschakelen ervan uitgaande dat deze is geplaatst of geïnstalleerd in zijn bedoelde normale werkpositie en onder toezicht of met instructies betreffende het veilig gebruiken van het toestel en met kennis van mogelijke gevaren. Kinderen tussen de 3 en 8 jaar mogen het toestel niet aansluiten, reguleren en schoonmaken of onderhoud uitvoeren.

Echter adviseert Gazco:

Dit apparaat is niet geschikt voor gebruik door personen jonger dan 12 jaar, personen met beperkte lichamenlijke, sensorische of geestelijke vermogens of personen met gebrek aan ervaring en kennis over de veilige bediening van het apparaat.

Het apparaat kan worden bediend door personen vanaf 12 jaar onder voorwaarde dat zij zijn geïnstrueerd in het veilige gebruik van het apparaat en hebben begrepen wat de mogelijke gevaren zijn. Personen vanaf 12 jaar mogen het apparaat bedienen onder toezicht van een verantwoordelijke volwassene.

Delen van dit apparaat worden heet tijdens de werking en personen jonger dan 12 jaar mogen nooit alleen worden gelaten met het apparaat wanneer dit aan staat tenzij een geschikt brandscherm wordt gebruikt om hen te beschermen tegen mogelijk rechtstreeks contact met het apparaat.

Kinderen mogen niet spelen met het toestel.

Schoonmaken en gebruiksonderhoud mag niet worden uitgevoerd door kinderen zonder toezicht.

2. Bedieningsinstructies



WAARSCHUWING! Het apparaat niet gebruiken als het beschadigd of defect is. Als u vermoedt dat het apparaat beschadigd of defect is neem dan contact op met een bevoegde elektricien om het apparaat te laten inspecteren en, indien nodig, om delen van het elektrische systeem te laten vervangen voordat het opnieuw gebruikt wordt.

Koppel de stroom bij de netvoeding niet los terwijl het toestel draait. Gebruik de functies op de afstandsbediening om het vuur uit te schakelen en controleer of de hoofdschakelaar op de uit-positie staat vóór het loskoppelen.

ALGEMEEN

- 2.1 Het toestel kan worden bediend door de radiofrequentietelefoon of de handmatige bedieningen die zich aan de rechterkant van het kijkenster bevinden.



OPMERKING: Om zowel afstandsbediening als handmatige functies te gebruiken, moet de handmatige AAN/UIT-schakelaar in de AAN-positie staan. Om te voorkomen dat het product te heet wordt, is er 10s vertraging wanneer de verhitser wordt ingeschakeld en 10s vertraging wanneer de luchtverhitser wordt uitgeschakeld.

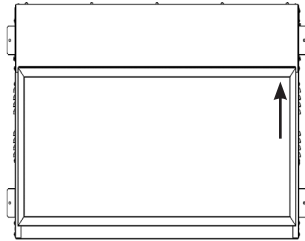
De handmatige basisfuncties met knopbediening, niet alle bedieningsmogelijkheden. Gebruik de bedieningstelefoon om alle functies te kunnen uitvoeren.

VOORBEREIDING VOOR HET GEBRUIK

Batterijen:

- 2.2 Zorg ervoor dat de batterijen nieuw zijn en op de juiste manier geplaatst zijn.
- 2.3 Wanneer u de batterijen vervangt, dient u ervoor te zorgen dat de gebruikte batterijen op de juiste manier tot afval worden verwerkt.

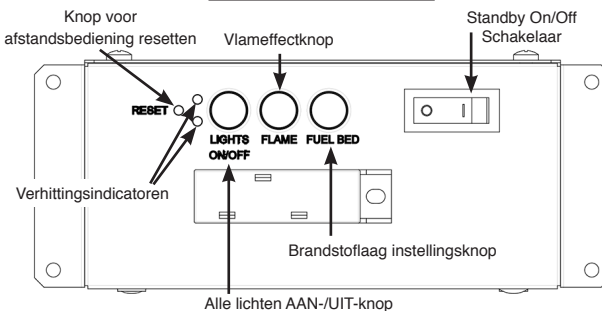
LOCATIE VAN DE BEDIENING



2a. Handmatig bedieningspaneel

- 2a.1 De handmatige toestelbedieningen bevinden zich bovenaan rechts op het toestel.
- 2a.2 Het toestel aanzetten met de hoofdschakelaar in de '—' positie. Men hoort een lange piep.
- 2a.3 Druk op "LICHTEN AAN/UIT" om de vlam en het vuurbed tegelijkertijd in of uit te schakelen.
- 2a.4 Er zijn 3 vlam-kleuropties:
Druk op de "VLAM"-knop om de kleur van de vlam te selecteren of terug te keren naar de UIT-positie.
- 2a.5 Er zijn 14 types vuurbed:
Druk op de "VUURBED"-knop om de kleur van het vuurbed te selecteren of terug te keren naar de UIT-positie.

LAY-OUT KAN VARIËREN



Opmerking: Het toestel zal het geheugen voor lichtfuncties verliezen wanneer de schakelaar op de UIT-positie staat of de afstandsbediening leeg is.

Verwarmingsindicatoren (zie Afbeelding)

2a.6 Wanneer de luchtverhitter wordt gebruikt in combinatie met de vlam of met vuurbedecten zullen de verwarmingsindicatoren voor 10 seconden oplichten.

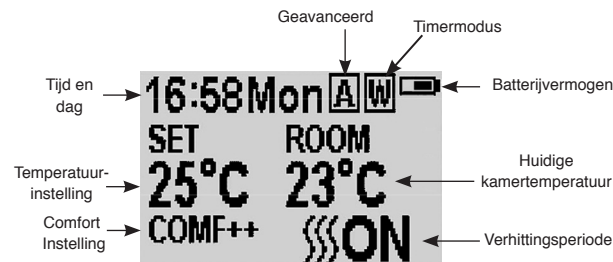
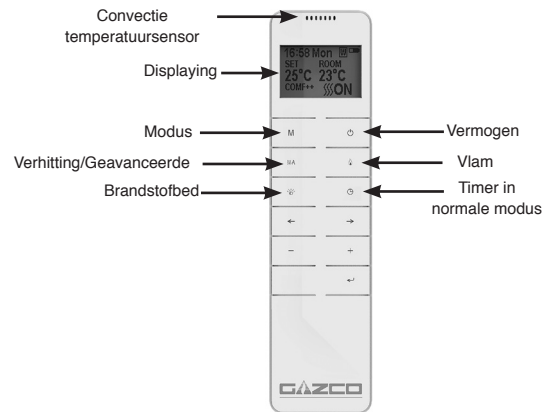
De LED's zullen voor 10 seconden oplichten als de vlam of het vuurbedeffect AAN is. Als de luchtverhitter onafhankelijk wordt gebruikt, zullen de verwarmingsindicatoren aan blijven.

Knop voor afstandsbediening resetten

2a.7 Als de telefoon signaal verliest of moet worden vervangen, zie Onderhoudssectie voor meer informatie.

2b. Afstandsbedieningen

De afstandsbediening moet worden bewaard op een vlak oppervlak in de kamer waar het toestel is geïnstalleerd en weg van enige directe hete luchtstroom.



Signaalcode

2b.1 De afstandsbediening werkt op radiosignaal. De handzender is in de fabriek ingesteld met een unieke signaalcode.

BELANGRIJK: Als de telefoon signaal verliest of moet worden vervangen, zie Onderhoudssectie voor meer informatie.

OPMERKING: De afstandsbediening heeft een batterijstatusindicator (rechtsboven in de hoek), na een lange periode van lege weergave zal het LED-scherm niet meer werken, ondanks dat de handset nog steeds opdrachten kan verzenden. Vervang de batterijen om het display te herstellen.

Schakel in/uit

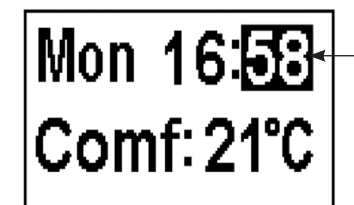
- 2b.2 Druk op de knop om het vlam-effect in te schakelen.
- 2b.3 Druk op de knop om alle functies uit te schakelen onder de normale verwarmingsbestuurmodus, inclusief vlam-effect en luchtverhitter.
- 2b.4 Druk op de knop om het vlam-effect onder de dagelijkse of wekelijkse timingverhittermodus uit te schakelen.

Week Dagen / Tijd / Comforttemperatuur en Eenheidsinstelling

Bij activatie wordt aangeraden om de klok te resetten naar de juiste tijd om juistheid van werking van het apparaat te garanderen.

- 2b.5 Houd de **M** knop voor 3 seconden ingedrukt om naar het instellingen-scherm te gaan.
- 2b.6 Druk op de '←' of de '→' -knop om de te wijzigen instelling te kiezen.

Het geselecteerde kenmerk wordt gemarkeerd, zie Afbeelding.



Gebruikershandleiding

2b.7 Druk op de '+' of '-' knop om de waarde aan te passen.

Tijd: 24-uurssysteem.
Selecteer comforttemperatuur tussen 15-25°C.
Temperatuureenheid: °C/°F.

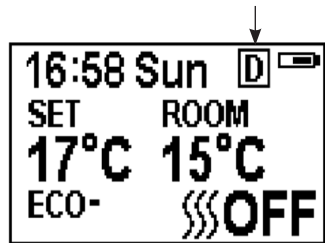
2b.8 Druk op de ↵ -knop voor 3 seconden of wacht 10 seconden om op te slaan en de week-, tijd- en verhogingstemperatuurinstelling te verlaten.

Dagelijkse verhogingstimer

2b.9 De volgende verhogingsperiodes zijn ingesteld; deze kunnen indien gewenst worden aangepast:

06:00 tot 08:00
17:00 tot 22:00

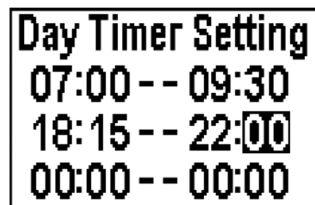
2b.10 Houd **M** ingedrukt tot **D** er rechtsbovenaan op het scherm toegang tot de dagelijkse verhogingstimermodus verschijnt.



2b.11 Houd de ↵ -knop voor 6 seconden ingedrukt voor toegang tot de dagelijkse verhogingsinstelling. Een maximum van 3 verhogingsperiodes per dag kan worden ingesteld.

2b.12 Druk op '←' of '→' om uur of minuut te kiezen.

2b.13 Druk op '+' of '-' om de waarde in te stellen. De minuuttoename/-afname per 15 min per keer drukken.



2b.14 Houd de ↵ -knop voor 3 seconden ingedrukt of wacht 10 seconden om op te slaan en de verhogingstijdperiodeinstelling te verlaten.

2b.15 Controleer de timerinstelling. Druk op ↵ om de dagelijkse timermodus te controleren.

2b.16 Als de verhoging moet worden uitgeschakeld, is het noodzakelijk om terug te gaan naar de normale bestuursmodus.

Als het toestel in de dagelijkse timermodus wordt uitgeschakeld met de afstandsbediening, zal de lichtuitvoer worden gestopt. De hitteuitvoer zal doorgaan afhankelijk van de timerinstellingen.

De ingestelde temperatuur aanpassen

2b.17 Druk op de '+'- of '-'-knop om de temperatuur op basis van de COMF-temperatuur te laten toe- of afnemen.

COMF geeft aan dat de huidige temperatuur gelijk is aan de ingestelde.

ECO geeft aan dat de huidige temperatuur 2°C lager is dan de ingestelde temperatuur.

ECO- betekent 4°C lager, COMF+ betekent 2°C hoger.

COMF++ betekent 4°C hoger.

Aanpasbare startbesturing

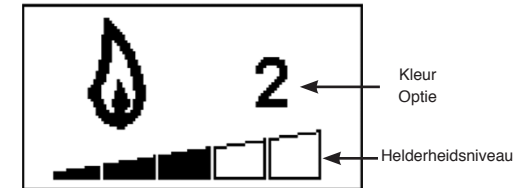
Overeenkomstig met de kamertemperatuur en de gewenste temperatuur, bepaalt de verwarmter automatisch de geschikte opwarmtijd om te garanderen dat het de gewenste temperatuur bereikt binnen de ingestelde tijd (tot 45 minuten voor de ingestelde tijd).

Aanpassen vlamkleur

2b.18 Druk op de 🔥 -knop voor toegang tot het vlamaanpassingsscherm.

Er zijn 3 vlamkleuropties, aangegeven door de getoonde waarde in Afbeelding.

Er zijn 6 helderheidsniveau's, inclusief 'uit'. Dit wordt aangegeven door de balk met de witte balk die 'uit' aangeeft, zie Afbeelding.



2b.19 Druk op de '←' of de '→'-knop om door de vlamkleuropties te gaan.

2b.20 Druk op de '+'-knop om de vlamhelderheid te verhogen.

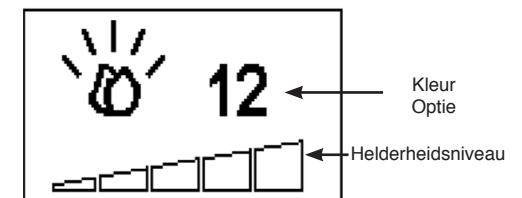
Druk op de '-'-knop om de vlamhelderheid te verlagen tot deze uit is.

Aanpassen vuurbedkleur

2b.21 Druk op the 🔦 icon voor toegang tot het scherm voor aanpassen vuurbedkleur.

Er zijn 14 vuurbedkleuropties, aangegeven door de getoonde waarde in Afbeelding.

Er zijn 6 helderheidsniveau's, inclusief 'uit'. Dit wordt aangegeven door de balk met de witte balk die 'uit' aangeeft, zie Afbeelding.



2b.22 Druk op de '←' of de '→'-knop om door de vuurbedkleuropties te gaan.

Gebruikershandleiding

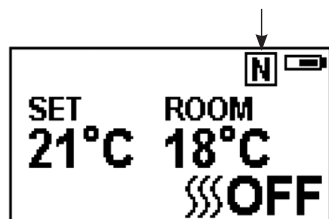
2b.23 Druk op de '+'-knop om de vuurbedhelderheid te verhogen.

Druk op de '-'-knop om de vuurbedhelderheid te verlagen tot deze uit is.

Normale besturingsmodus

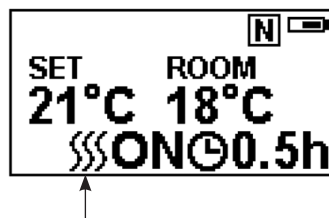
2b.24 De normale besturingsmodus is de standaardinstelling.

Houd als alternatief de **M** knop ingedrukt tot het **N** logo rechts bovenaan het scherm verschijnt, zie Afbeelding.



2b.25 Druk op de '+' of '-'-knop om de temperatuurstelling van 17°C tot 25°C aan te passen.

2b.26 Druk op de **ON** knop om de warmte aan/uit te schakelen; in de rechter onderhoek van het scherm zal **ON** of **UIT** worden getoond, zie Afbeelding.



Opmerking: Het is gebruikelijk dat de luchtverhitter stopt met draaien gedurende tijdsperiodes. Dit gebeurt als de kamertemperatuur hoger is dan de ingestelde temperatuur op de bediening.

De verhittingsindicator wordt uitgeschakeld na 10s als de vlam AAN staat. De verhittingsindicator blijft AAN als enkel de verhittingsfunctie wordt gebruikt.

Als in de normale bedieningsmodus het toestel met de afstandsbediening wordt uitgeschakeld, zullen zowel de licht- als warmteproductie stoppen.

Aftellingstimer

Deze instelling bestaat alleen in de normale bedieningsmodus bij verwarming. Dit maakt het mogelijk om het toestel in stand-by te zetten na een ingestelde tijdsperiode. De verwarming moet ingeschakeld zijn om deze functie te kunnen gebruiken.

2b.27 Druk op **ON** om door de instelling te gaan van UIT en 0.5 uur tot 9 uur. Timerlogo en resterende tijd worden op het scherm getoond.

De verwarming van het toestel kan automatisch werken door de dagelijkse timer en de wekelijkse timer op de afstandsbediening te gebruiken.

Batterij

Het batterijniveau wordt aangegeven rechtsbovenin op het afstandbedieningsscherm, zie Afbeelding.

	Volle batterij	Geen handeling vereist
	Halfvolle batterij	Controleer of nieuwe batterijen aanwezig zijn.
	Lege batterij	Vervang batterijen onmiddellijk

Vervanging van batterij na 1 jaar wordt aangeraden. De afstandsbediening heeft twee 1.5V alkaline AAA-batterijen nodig.

Het vervangen van de batterijen beïnvloedt de timermodusinstellingen niet, maar misschien zal de klok moeten worden gelijk gezet.

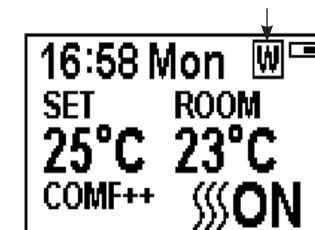
Verhitting wekelijkse timer

2b.28 De volgende verhittingsperiodes zijn ingesteld; deze kunnen worden gewijzigd indien gewenst:

Van maandag tot vrijdag
06:00 tot 08:30
17:00 tot 22:00

Van zaterdag tot zondag
06:30 tot 09:30
11:00 tot 13:00
17:00 tot 22:00

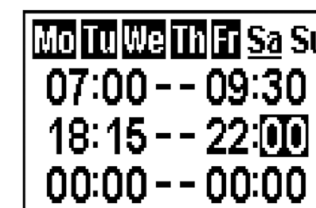
2b.29 Druk op **M** tot **W** wordt getoond rechtsbovenin in het scherm voor toegang tot de wekelijkse verhittingsmodus.



2b.30 Houd de **W**-knop voor 6 seconden ingedrukt voor toegang tot de instelling voor wekelijkse timer voor verhittingsmodus.

2b.31 Druk op '←' of '→' om de cursor (een knipperende onderstreep) te bewegen.

2b.32 Druk op de **W**-knop in de corresponderende weekpositie om de huidige instelling te selecteren (het kenmerk wordt gemarkeerd) of te annuleren (het kenmerk wordt normaal weergegeven); dezelfde tijdsperiode kan tegelijk worden geselecteerd.



2b.33 Druk op de '→'-knop om de cursor naar het instellingsgebied van de tijdsperiode te bewegen.

2b.34 Druk op de '←' of de '→'-knop om uur of minuut te bepalen.

2b.35 Druk op '+' of '-' om de waarde te bepalen.

Een maximum van 3 verhittingsperiodes per dag kan worden ingesteld.

Verhoging/verlaging van minuut per 15min per druk op de knop.

2b.36 Druk op **W** om de verwarmingstijd voor de geselecteerde dag in te stellen en terug te keren naar de weeklijn.

Gebruikershandleiding

- 2b.37 Houd de ←-knop voor 3 seconden ingedrukt of wacht 10 seconden om op te slaan en de verhittingstijdperiodeinstelling te verlaten.
- 2b.38 Druk op ← '←' of op '→' om de timerinstelling voor de verhittingsmodus van de weektimer te controleren.
- 2b.39 Als de verhitting moet worden uitgeschakeld, is het noodzakelijk om terug te gaan naar de normale bestuursmodus.

Als in de wekelijkse timermodus het toestel door de afstandsbediening wordt uitgeschakeld, zal de lichtuitvoer stoppen. De hitteuitvoer zal doorgaan afhankelijk van de timerinstellingen.

De ingestelde temperatuur aanpassen

- 2b.40 Druk op de '+'- of '-'-knop om de temperatuur op basis van de COMF-temperatuur te laten toe- of afnemen.
- COMF geeft aan dat de huidige temperatuur gelijk is aan de ingestelde.
- ECO geeft aan dat de huidige temperatuur 2°C lager is dan de ingestelde temperatuur.
- ECO- betekent 4°C lager.
- COMF+ betekent 2°C hoger.
- COMF++ betekent 4°C hoger.

Aanpasbare startbesturing

Overeenkomstig met de kamertemperatuur en de gewenste temperatuur, bepaalt de verhitser automatisch de geschikte opwarmtijd om te garanderen dat het de gewenste temperatuur bereikt binnen de ingestelde tijd (tot 45 minuten voor de ingestelde tijd).

Geavanceerde modus

- 2b.41 De verhittingstoestand kan worden verlengd tot de volgende periode bij zowel de dagelijkse als wekelijkse timerverhittingsmodus.



Als de verhitser aan is tijdens de huidige periode, zal op de knop drukken de verhitser uitschakelen.

Als de verhitser uit is tijdens de huidige periode, zal op de knop drukken de verhitser inschakelen.

Of de huidige verhitting aan/uit is hangt ook af van de kamertemperatuur en de ingestelde temperatuur.

- 2b.42 Druk op **[[[A** voor toegang tot de geavanceerde modus onder de dagelijkse en wekelijkse timerverhittingsmodus, **A** die zal worden getoond rechtsboven in het scherm.
- 2b.43 Druk **[[[A** nogmaals of de timerperiode zal de geavanceerde modus beëindigen.

Detecteren van open raam

- 2b.44 Als de zender een sterke daling in kamertemperatuur waarneemt, zal dit worden opgevat als een open raam: het waarschuwingsicoon zal worden weergegeven en de verhitser zal automatisch worden uitgeschakeld.



- 2b.45 Na stijging van de binnentemperatuur of door handmatige ingreep (door de afstandsbediening te bedienen), zal het toestel terugkeren naar normaal functioneren.

3. Reiniging

- 3.1 **DE STEKKER ALTIJD UIT HET STOPCONTACT HALEN VOORDAT ER REINIGINGSWERZAAMHEDEN OF ONDERHOUDSWERKZAAMHEDEN UITGEVOERD WORDEN.**

ALGEMEEN REINIGING

- 3.2 De buitenkant alleen schoonmaken wanneer deze koud is. Geen schurende reinigingsmiddelen gebruiken.

REINIGING VOORZIJDEN

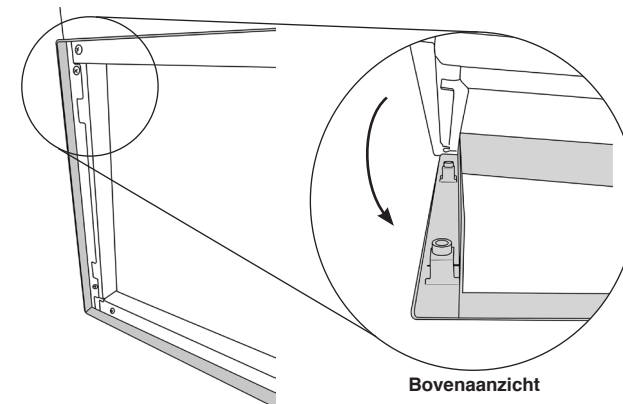
- 3.3 Maak het kijkvensterpaneel schoon met een vochtige doek en veeg af met een pluisvrije stofdoek.

Waarschuwing: Geen schurende reinigingsmiddelen op het glaspaneel gebruiken. Spuit geen vloeistoffen rechtstreeks op het oppervlak van de unit spuiten.

HET SCHOONMAKEN VAN DE BRANDSTOF EFFECT

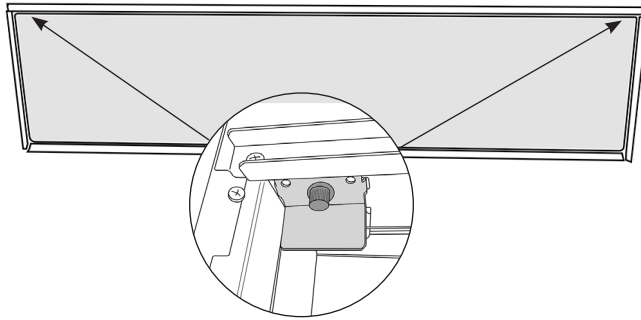
Om het brandstofeffect te openen, is het nodig om het glazen kijkpaneel te verwijderen.

- 3.4 Zorg ervoor dat de stekker niet meer in het stopcontact steekt.
- 3.5 Verwijder eerst de decoratieve bekleding. De bekleding wordt vastgehouden door magneten. Trek deze voorzichtig naar voren om te verwijderen, zie Afbeelding.

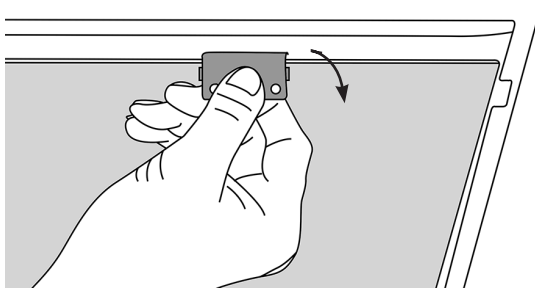


Bovenaanzicht

- 3.6 Er zit een klem aan de bovenkant van elke hoek van het glazen kijkpaneel, die het glas op zijn plaats houden, zie Afbeelding.



- 3.7 Ondersteun het glas, haal de 2 klemmen los en verwijder deze. Deze kunnen gewoon met de vingers worden losgemaakt.
- 3.8 Tik het glas voorzichtig naar voren en til het uit de onderste tray om deze van het apparaat te halen, zie Afbeelding.

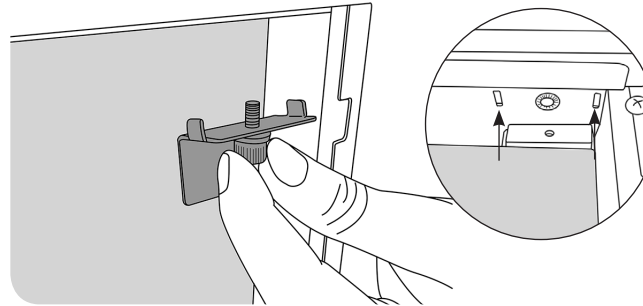


Er is nu toegang tot het brandstofeffect.

- 3.9 Verwijder en was het brandstofeffect om stofdeeltjes te verwijderen. Kan ook met een lintvrije duster worden gereinigd. **Zorg ervoor dat het effect droog is, voordat deze wordt teruggeplaatst.**

- 3.10 Breng het glas weer aan door de instructies in omgekeerde volgorde op te volgen.

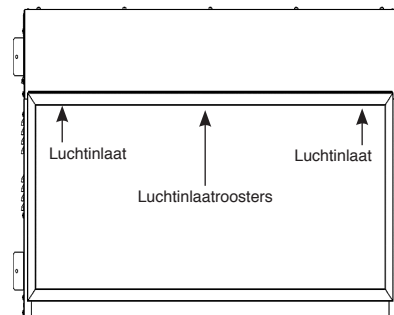
Zorg er bij het plaatsen van de klemmen voor dat de lippen op de klemmen in de sleuven op het apparaat zitten, zie Afbeelding.



- 3.11 Plaats de decoratieve bekleding terug om de installatie af te werken.

LUCHTINLATEN REINIGEN

- 3.12 Zorg ervoor dat de stekker niet meer in het stopcontact steekt.
- 3.13 Maak de luchtinlaat en de luchtinlaatroosters regelmatig met een zachte doek of het mondstuk van een stofzuiger schoon.



Opgehoopt stof zal het vrijelijk bewegen van de ventilator beperken en kan ertoe leiden dat het beveiligingsmechanisme in werking treedt.

- 3.14 Houd het gebied rond de haard schoon en vrij van pluïsges, stof of haren van huisdieren.

- 3.15 Stof enz. kan zich vooral verzamelen rond het verwarmingsgebied bovenaan het apparaat. Zorg er regelmatig voor dat dit gebied geen van deze stofdeeltjes bevat, zodat een opeenhoping voorkomen wordt.

BATTERIJEN VERVANGEN

- 3.16 Wanneer de externe batterij laag is, moet ze onmiddellijk worden vervangen. Installeer de vervangingsbatterij correct en gooi de oude batterij weg bij een recyclingbedrijf.

Istruzioni Per L'utente

IMPORTANTE

LA GRIGLIA DI USCITA DEL RISCALDATORE DIVENTA BOLLENTE DURANTE L'USO. NON COPRIRE LA GRIGLIA DI USCITA NÉ ALCUNA PARTE DELL'APPARECCHIO.


Da usare solo con alimentazione elettrica da 230 V, 50Hz.

Leggere attentamente queste istruzioni prima dell'installazione e conservarle in un luogo sicuro.

poiché saranno necessarie al momento di eseguire riparazioni o manutenzione.

QUESTO APPARECCHIO DEVE ESSERE PROVVISORIO DI MESSA A TERRA

1. Informazioni Importanti E Salute E Sicurezza

- 1.1 **Leggere attentamente tutte le istruzioni prima di utilizzare l'apparecchio.**
- 1.2 **Rimuovere tutti gli imballaggi e smaltirli presso un'appropriata struttura di riciclaggio.**
- 1.3 Non posizionare l'apparecchio subito sotto una presa di corrente fissa.
- 1.4 Non utilizzare questo apparecchio nelle immediate vicinanze di una vasca da bagno, di una doccia, di una piscina o in altre aree in cui potrebbe venire a contatto con acqua o umidità, ad esempio la stanza da bagno.
- 1.5  **ATTENZIONE! NON COPRIRE**
Non coprire l'apparecchio né ostruire la presa o l'uscita dell'aria, per evitare il surriscaldamento dell'apparecchio. Osservare il simbolo di avviso sull'apparecchio (vedere sopra).
- 1.6 **Solo per uso interno.** Questo apparecchio non è adatto all'uso in aree esterne alla casa.
- 1.7 Questo apparecchio deve essere installato in un apposito contenitore studwork. Assicurarsi che l'apparecchio sia in piano e che i mobili, tende, ecc sono posizionati non più vicino di 1 m.
- 1.8 Se il cavo dell'alimentazione elettrica deve passare attraverso un camino, un rivestimento in pietra e così via, assicurarsi che vengano installate delle protezioni di gomma nei possibili punti di usura.

- 1.9 Tenere il cavo di alimentazione lontano da superfici calde e condizioni di calore. Non posizionare il cavo di fronte all'apparecchio.
- 1.10 Una volta installato il caminetto, deve essere possibile accedere alla spina.
- 1.11 Se il cavo di alimentazione è danneggiato, non utilizzare l'apparecchio finché non viene sostituito. Per motivi di sicurezza, la sostituzione deve essere effettuata da un responsabile dell'assistenza Gazco o da un elettricista con una qualifica simile.
- 1.12 **ATTENZIONE:** Per evitare un pericolo dovuto al ripristino involontario dell'interruttore termico, questo apparecchio non deve essere alimentato tramite un dispositivo di commutazione esterno, ad esempio un timer, o collegato a un circuito di comando accensione e spegnimento.
- 1.13 Non utilizzare l'apparecchio se danneggiato.
- 1.14 La riparazione delle apparecchiature elettroniche deve essere eseguita solo da un elettricista. In caso di mancato funzionamento dell'apparecchio o in caso di danni, contattare il rivenditore presso il quale è stato acquistato.
- 1.15 Questo apparecchio può essere utilizzato da bambini di età superiore a 8 anni e persone con ridotte capacità fisiche, sensoriali o mentali o mancanza di esperienza e conoscenza, solo se supervisionati o istruiti sull'uso dell'apparecchio in modo sicuro e se comprendono i rischi che corrono. I bambini di età inferiore ai 3 anni devono essere tenuti lontano a meno che non siano costantemente supervisionati.

I bambini di età compresa tra 3 anni e meno di 8 anni possono accendere/spegnere l'apparecchio solo se questo è stato collocato o installato nella normale posizione operativa prevista e se sono sorvegliati o istruiti sull'uso dell'apparecchio in modo sicuro e se comprendono i rischi che corrono. I bambini di età compresa tra 3 anni e meno di 8 anni non possono collegare, regolare, pulire l'apparecchio né eseguire interventi di manutenzione.

Tuttavia Gazco consiglia:

Questo elettrodomestico non è progettato per essere utilizzato da minori di 12 anni, da persone con capacità fisiche, sensoriali o mentali ridotte o da persone che non hanno l'esperienza o le conoscenze necessarie per mettere in funzione l'elettrodomestico in maniera sicura.

Questo elettrodomestico può essere utilizzato da maggiori di 12 anni purché siano stati istruiti in merito all'utilizzo sicuro dell'elettrodomestico e comprendano i possibili rischi. I minori di 12 anni possono utilizzare questo elettrodomestico purché siano supervisionati da un adulto responsabile.

Alcune componenti di questo elettrodomestico diventano calde in seguito all'utilizzo e in nessun caso i minori di 12 anni devono essere lasciati da soli con il prodotto quando questo è in funzione, a meno che non venga utilizzato un parafuoco idoneo allo scopo di proteggerli dalla possibilità di entrare a diretto contatto con l'elettrodomestico.

I bambini non devono giocare con l'apparecchio.

La pulizia e la manutenzione dell'utente non devono essere eseguite da bambini senza supervisione.

2. Istruzioni Di Funzionamento



ATTENZIONE! Non utilizzare l'apparecchio se danneggiato o se non funziona correttamente. Se si sospetta che l'apparecchio sia danneggiato o che non abbia funzionato correttamente, contattare un tecnico dell'assistenza qualificato per far eseguire un'ispezione e sostituire le parti dell'impianto elettrico se necessario, prima di riutilizzarlo.

Non scollegare l'alimentazione alla rete elettrica mentre l'apparecchio è in funzione. Utilizzare le funzioni del telecomando per spegnere il fuoco e assicurarsi che l'interruttore di isolamento sia stato spostato in posizione di spegnimento prima di scollegarlo.

GENERALE

- 2.1 L'apparecchio può essere azionato dal ricevitore a radiofrequenza o dai comandi manuali situati sul lato destro della finestra di visualizzazione.



NOTA: Per utilizzare entrambe le funzioni remota e manuale, l'interruttore di accensione/spegnimento manuale deve essere in posizione "ON". Per evitare che il prodotto diventi troppo caldo, si verifica un ritardo di 10 secondi all'accensione del riscaldatore e un ritardo di 10 secondi quando si spegne la ventola del riscaldatore.

Il pulsante manuale controlla le funzioni di base, non una gamma completa di controlli. Utilizzare il telecomando per eseguire tutte le funzioni.

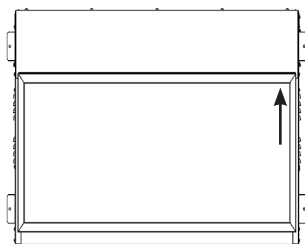
Istruzioni Per L'utente

PREPARAZIONE PRIMA DELL'USO

Pile:

- 2.2 Assicurarsi che le pile del telecomando siano nuove e correttamente inserite.
- 2.3 Sostituire le pile vecchie presso una struttura di riciclaggio appropriata.

POSIZIONE DELL'INTERRUPTORE

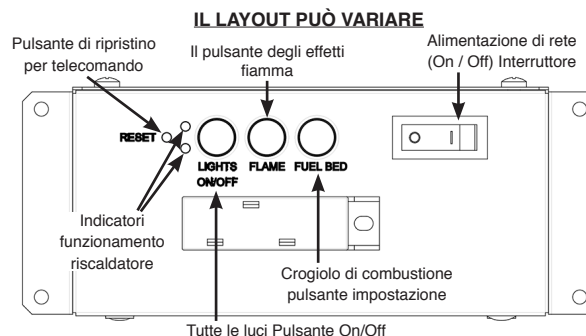


2a. Pannello comando manuale

- 2a.1 I comandi manuali sull'apparecchio si trovano nella parte superiore destra dell'apparecchio.
- 2a.2 Accendere l'apparecchio con l'interruttore di alimentazione principale in posizione "-". Si sentirà un lungo bip.
- 2a.3 Premere "LIGHTS ON/OFF" per accendere o spegnere contemporaneamente la fiamma e il crogiolo di combustione.
- 2a.4 Ci sono 3 opzioni di colore della fiamma:
Premere il pulsante "FLAME" per selezionare il colore della fiamma o tornare alla posizione OFF.

2a.5 Ci sono 14 tipi di crogiolo di combustione:

Premere il pulsante "FUEL BED" per selezionare il colore del crogiolo di combustione o tornare alla posizione OFF.



Nota: L'apparecchio perderà la memoria per le funzioni di illuminazione quando l'interruttore è impostato su Off o si scaricano le batterie del telecomando.

Indicatori di funzionamento del riscaldatore (vedere la Diagramma)

2a.6 Quando il termoventilatore viene utilizzato in combinazione con gli effetti della fiamma o del crogiolo di combustione, gli indicatori di funzionamento del riscaldatore si accendono per 10 secondi.

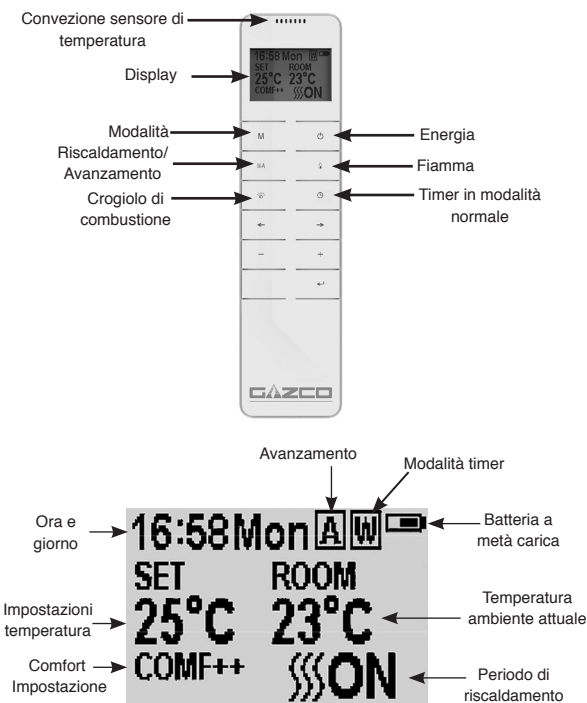
I LED si accendono per 10 secondi quando l'effetto fiamma o il crogiolo di combustione vengono accesi.
Se il termoventilatore viene utilizzato in modo indipendente, gli indicatori di funzionamento del riscaldatore rimangono accesi.

Pulsante di ripristino per telecomando

2a.7 **Se il telecomando perde il segnale o deve essere sostituito, per informazioni più dettagliate, consultare sezione manutenzione.**

2b. Comandi a distanza

Il telecomando deve essere lasciato su una superficie piana nella stanza in cui è installato l'apparecchio e lontano da qualsiasi flusso diretto di aria calda.



Codice di segnale

2b.1 Il telecomando funziona tramite segnale radio. Il trasmettitore manuale è configurato in fabbrica con un codice di segnale unico.




IMPORTANTE: Se il telecomando perde il segnale o deve essere sostituito, per informazioni più dettagliate, consultare sezione manutenzione.



NOTA: il telecomando è dotato di indicatore di stato della batteria (angolo in alto a destra), dopo un periodo di inattività, lo schermo LED smetterà di funzionare anche se il telecomando resterà in grado di inviare comandi Sostituire le batterie per ripristinare il display.

Istruzioni Per L'utente

Accensione/spengimento

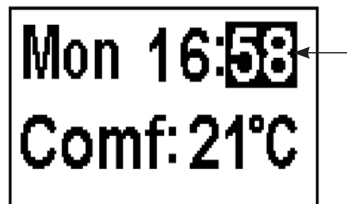
- 2b.2 Premere il  pulsante per accendere l'effetto fiamma.
- 2b.3 Premere il  pulsante per disattivare tutte le funzioni nella normale modalità di controllo del riscaldamento, inclusi l'effetto fiamma ed il riscaldatore della ventola.
- 2b.4 Premere il  pulsante per disattivare l'effetto fiamma in modalità riscaldamento giornaliero e settimanale.

Giorni della settimana/ora/temperatura comfort e impostazione unità

All'attivazione si consiglia di ripristinare l'orologio all'orario corretto per garantire la precisione di funzionamento dell'apparecchio.


- 2b.5 Tenere premuto il **M** pulsante per 3 secondi per accedere alla schermata impostazioni.
- 2b.6 Premere il pulsante '←' o '→' per scegliere l'impostazione da modificare.

Il carattere selezionato verrà evidenziato, vedere la Diagramma.



- 2b.7 Premere il pulsante '+' o '-' per regolare il numero.

Schema orario: sistema 24 ore.
Selezionare una temperatura comfort da 15 a 25°C.
Unità temperatura: °C/°F.

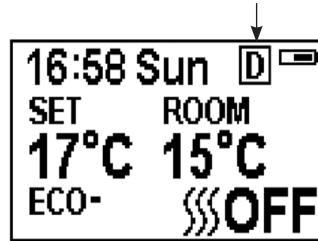
- 2b.8 Premere il pulsante  per 3 secondi o attendere 10 secondi per salvare e uscire dalla settimana, dall'ora e dall'impostazione della temperatura.


Timer giornaliero riscaldamento

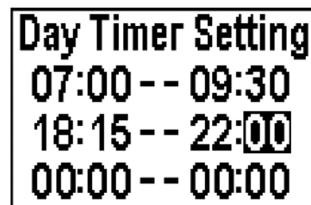
- 2b.9 Sono stati preimpostati i seguenti periodi di riscaldamento, che possono essere modificati se lo si desidera:



dalle ore 06:00 alle 08:00
dalle ore 17:00 alle 22:00

- 2b.10 Premere **M** fino a **D** visualizzare l'angolo in alto a destra dello schermo per accedere al timer giornaliero della modalità di riscaldamento.



- 2b.11 Tenere premuto il  pulsante per 6 secondi per accedere all'impostazione riscaldamento giornaliero. È possibile impostare un massimo di 3 periodi di riscaldamento programmati al giorno.
- 2b.12 Premere '←' o '→' per scegliere ore o minuti.
- 2b.13 Premere '+' o '-' per regolare il numero. Ad ogni pressione si ha un incremento/decremento di 15 minuti.



- 2b.14 Premere il pulsante  per 3 secondi o attendere 10 secondi per salvare e uscire dall'impostazione del periodo di riscaldamento.
- 2b.15 Controllare l'impostazione del timer. Premere  per controllare la modalità giornaliera del timer.
- 2b.16 Se è necessario spegnere il riscaldamento, sarà necessario tornare alla modalità di controllo normale.

Quando si spegne l'apparecchio mentre si trova in modalità timer giornaliero con il telecomando si interrompe l'emissione di luce. L'uscita di calore continuerà secondo le impostazioni del timer.

Regolazione della temperatura impostata

- 2b.17 Premere il pulsante '+' o '-' per aumentare o diminuire la temperatura sulla base della temperatura COMF.

COMF indica che la temperatura effettiva corrisponde a quella dell'impostazione.

ECO significa che la temperatura attuale è inferiore di 2°C rispetto alla temperatura impostata.

ECO- significa 4°C in meno.


COMF+ significa 2°C in più.

COMF++ significa 4°C in più.

Controllo di avvio adattivo

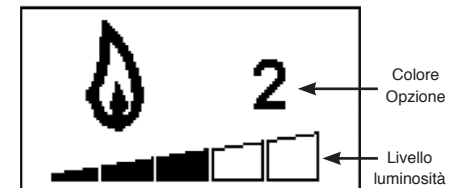
In base alla temperatura ambiente e alla temperatura impostata, il riscaldatore determina automaticamente il tempo di riscaldamento appropriato per garantire che raggiunga la temperatura impostata nel tempo impostato (fino a 45 minuti prima del tempo impostato).

Regolazione del colore della fiamma

- 2b.18 Premere il  pulsante per accedere alla schermata di regolazione della fiamma.

Ci sono 3 opzioni di colore della fiamma, indicate dal numero mostrato nel Diagramma.

Ci sono 6 livelli di luminosità, incluso spento. Questo è indicato dalla barra, con la barra vuota che indica spegnimento, vedere la Diagramma.




- 2b.19 Premere il pulsante '←' o '→' per scorrere ciclicamente le opzioni del colore della fiamma.

- 2b.20 Premere il pulsante '+' per aumentare la luminosità della fiamma.

Premere il pulsante '-' per ridurre la luminosità della fiamma.

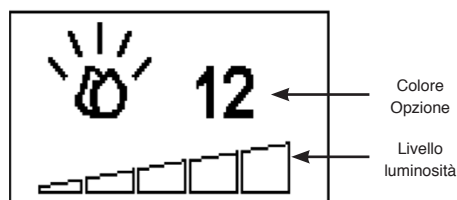
Istruzioni Per L'utente

Regolazione colore del crogiolo di combustione

2b.21 Premere  per accedere alla schermata di regolazione luce crogiolo di combustione.

Ci sono 14 opzioni di colore crogiolo di combustione, indicate dal numero mostrato nel Diagramma.

Ci sono 6 livelli di luminosità, incluso spento. Questo è indicato dalla barra, con la barra vuota che indica spegnimento, vedere la Diagramma.



2b.22 Premere il pulsante '←' o '→' per scorrere ciclicamente le opzioni del colore del crogiolo di combustione.

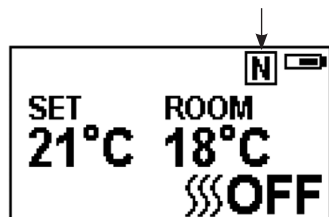
2b.23 Premere il pulsante '+' per aumentare la luminosità del crogiolo di combustione.

Premere il pulsante '-' per ridurre la luminosità del crogiolo di combustione fino a spegnere.

Modalità di controllo normale

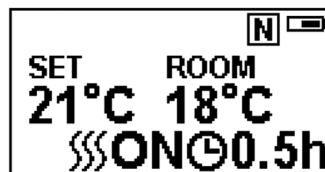
2b.24 L'impostazione di default è la modalità di controllo normale.

In alternativa premere il pulsante **M** fino a visualizzare il **N** logo nell'angolo in alto a destra dello schermo, vedere la Diagramma.



2b.25 Premere il pulsante '+' o '-' per regolare la temperatura impostata da 17°C a 25°C.

2b.26 Premere il pulsante **SSS A** per accendere/spengere il riscaldamento, nell'angolo in basso a destra comparirà **SSS ON** o **SSS OFF**, vedere il Diagramma.




Nota: È normale che il termoventilatore smetta di funzionare per dei periodi di tempo. Ciò accade se la temperatura della stanza è superiore alla temperatura impostata sul controllo.

L'indicatore del riscaldatore si spegne dopo 10 secondi se la fiamma è accesa. L'indicatore del riscaldatore rimarrà acceso se viene utilizzata solo la funzione di riscaldamento.

Se si spegne l'apparecchio con il telecomando mentre si trova in modalità di controllo normale, si interrompe l'emissione di luce e di calore.

Conto alla rovescia




Questa impostazione è solo nella normale modalità di controllo del riscaldamento. Consente all'apparecchio di tornare in standby dopo un determinato periodo di tempo. Il riscaldatore deve essere acceso per utilizzare questa funzione.

2b.27 Premere  per scorrere in modo ciclico tra le impostazioni a partire da Off e da 0,5 ore a 9 ore. Il logo del timer e il tempo rimanente verranno visualizzati sullo schermo.

Il riscaldatore dell'apparecchio può essere avviato automaticamente utilizzando il timer giornaliero e il timer settimanale sul telecomando.

Pila

Il livello di carica della batteria è indicato in alto a destra nella schermata del telecomando, vedere la Diagramma.

	Batteria carica	Nessuna azione richiesta
	Batteria a metà carica	Assicurarsi che siano disponibili nuove batterie.
	Batteria scarica	Sostituire immediatamente le batterie

Si consiglia di sostituire le batterie dopo 1 anno. Il telecomando richiede due batterie AAA alcaline da 1,5 V.

La modifica delle batterie non influirà sulle impostazioni della modalità del timer, tuttavia potrebbe essere necessario regolare l'orologio.

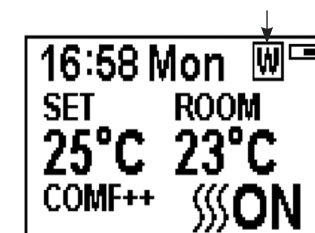
Timer settimanale riscaldamento


2b.28 Sono stati preimpostati i seguenti periodi di riscaldamento, che possono essere modificati se lo si desidera:

Da lunedì a venerdì
dalle ore 06:00 alle 08:30
dalle ore 17:00 alle 22:00

Da sabato a domenica
dalle ore 06:30 alle 09:30
dalle ore 11:00 alle 13:00
dalle ore 17:00 alle 22:00

2b.29 Premere **M** fino a **W** visualizzare l'angolo in alto a destra dello schermo per accedere al timer settimanale della modalità di riscaldamento.

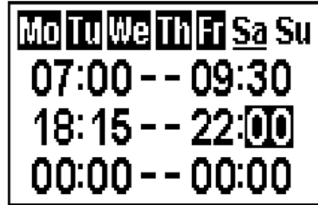


2b.30 Tenere premuto il  pulsante per 6 secondi per accedere all'impostazione timer settimanale riscaldamento.

2b.31 Premere '←' o '→' per spostare il cursore (una sottolineatura lampeggiante).

Istruzioni Per L'utente

- 2b.32 Premere il pulsante ◀ nella posizione della settimana corrispondente per selezionare (il carattere è evidenziato) o annullare (il carattere viene visualizzato normalmente) l'impostazione corrente, contemporaneamente può essere selezionato lo stesso periodo.



- 2b.33 Premere il pulsante '→' per spostare il cursore sull'area di impostazione del periodo di tempo.

- 2b.34 Premere '←' o '→' per scegliere ore o minuti.

- 2b.35 Premere '+' o '-' per regolare il numero.

È possibile impostare un massimo di 3 periodi di riscaldamento programmati al giorno.

Ad ogni pressione si ha un incremento/decremento di 15 minuti.

- 2b.36 Premere ◀ per impostare il periodo di riscaldamento per il giorno selezionato e tornare alla riga della settimana.

- 2b.37 Premere il pulsante ◀ per 3 secondi o attendere 10 secondi per salvare e uscire dall'impostazione del periodo di riscaldamento.

- 2b.38 Premere ◀ '←' o '→' per controllare l'impostazione del timer per la modalità di riscaldamento del timer settimanale.

- 2b.39 Se è necessario spegnere il riscaldamento, sarà necessario tornare alla modalità di controllo normale.

Se si spegne l'apparecchio con il telecomando mentre si trova in modalità timer settimanale, si interrompe l'emissione di luce. L'uscita di calore continuerà secondo le impostazioni del timer.

Regolazione della temperatura impostata

- 2b.40 Premere il pulsante '+' o '-' per aumentare o diminuire la temperatura sulla base della temperatura COMF.

COMF indica che la temperatura effettiva corrisponde a quella dell'impostazione.

ECO significa che la temperatura attuale è inferiore di 2°C rispetto alla temperatura impostata.

ECO- significa 4°C in meno.

COMF+ significa 2°C in più.

COMF++ significa 4°C in più.

Controllo di avvio adattivo

In base alla temperatura ambiente e alla temperatura impostata, il riscaldatore determina automaticamente il tempo di riscaldamento appropriato per garantire che raggiunga la temperatura impostata nel tempo impostato (fino a 45 minuti prima del tempo impostato).

Modalità avanzata

- 2b.41 Lo stato di riscaldamento può essere anticipato fino al periodo successivo sia in modalità riscaldamento giornaliero che settimanale.



Se il riscaldatore è acceso nel periodo corrente, premendo il pulsante si spegne il riscaldatore.

Se il riscaldatore è spento nel periodo corrente, premendo il pulsante si accende il riscaldatore.

Che il riscaldamento effettivo sia acceso/spento dipende anche dalla temperatura della stanza e dalla temperatura impostata.

- 2b.42 Se si preme **[[[A]]]** per accedere alla modalità avanzata in modalità di riscaldamento del timer giornaliero e settimanale, apparirà nell'angolo in alto a destra dello schermo **A**.

- 2b.43 Premere **[[[A]]]** di nuovo, altrimenti allo scadere del tempo del timer si uscirà dalla modalità avanzata.

Finestra di rilevamento aperta

- 2b.44 Quando il trasmettitore rileva un rapido calo della temperatura ambiente, verrà considerata come una finestra aperta: verrà visualizzata l'icona di avviso e il riscaldamento si spegnerà automaticamente.



- 2b.45 Dopo l'aumento della temperatura interna o l'intervento manuale (azionando il telecomando), si tornerà al normale stato di funzionamento.

3. Manutenzione

- 3.1 **SCOLLEGARE SEMPRE DALLA RETE ELETTRICA PRIMA DI PULIRE O DI ESEGUIRE QUALSIASI TIPO DI MANUTENZIONE.**

PULIZIA GENERALE

- 3.2 Pulire solo l'involucro esterno quando l'apparecchio è freddo. Non usare detersivi abrasivi.

PULIZIA DELLE PARTI ANTERIORI

- 3.3 Passare un panno umido sul pannello in vetro e lucidare con un panno senza pelucchi.

Attenzione: non utilizzare detersivi abrasivi sul pannello in vetro. Non spruzzare direttamente liquidi su nessuna superficie dell'unità.

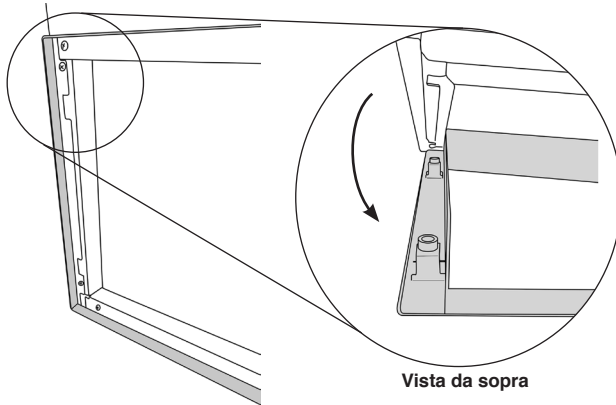
PULIZIA DEL CARBURANTE EFFETTO

Per accedere all'effetto combustibile si deve rimuovere la finestrella di vetro.

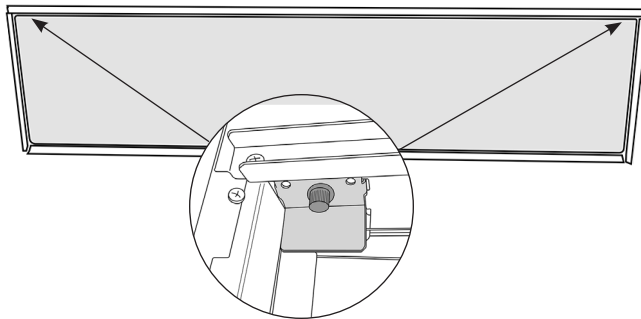
- 3.4 Assicurarsi che l'apparecchio sia scollegato dalla rete elettrica.

Istruzioni Per L'utente

- 3.5 Rimuovere prima la parte decorativa.
La parte decorativa è tenuta da magneti. Tirare con delicatezza in avanti per toglierla, vedere la Diagramma.

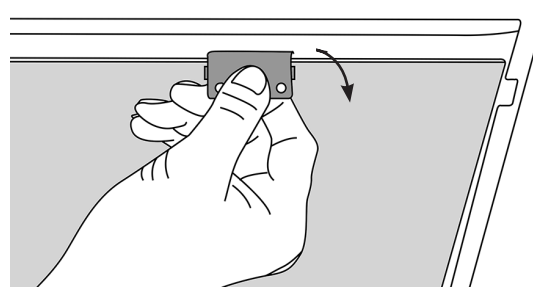


- 3.6 C'è un morsetto su ogni angolo della finestrella di vetro che fissa il vetro in posizione, vedere la Diagramma.



- 3.7 Tenendo il vetro, allentare e togliere i 2 morsetti.
Questi possono essere svitati con i polpastrelli.

- 3.8 Piegare con attenzione in avanti il vetro e sollevare verso l'esterno il vassoio inferiore per toglierlo dell'apparecchio vedere la Diagramma.



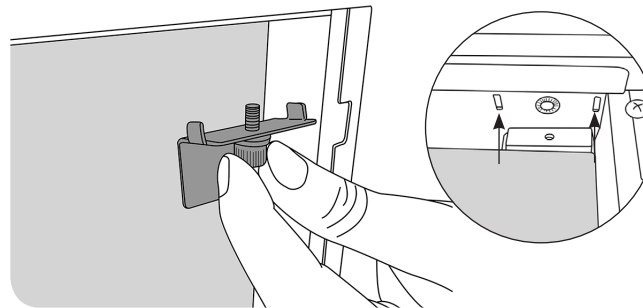
Si può ora accedere all'effetto combustibile

- 3.9 Togliere e lavare l'effetto combustibile per rimuovere qualsiasi particella di polvere. In alternativa pulire con un piumino che non lasci residui.

Assicurarsi che l'effetto sia asciutto prima di rimetterlo.

- 3.10 Rimettere il vetro seguendo le istruzioni in ordine inverso.

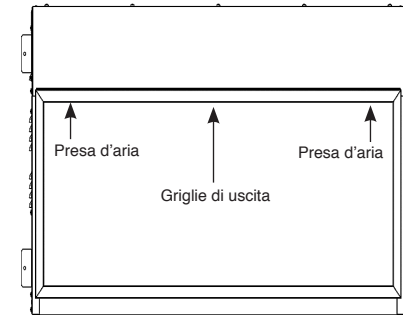
Quando si rimettono i morsetti, assicurarsi che le linguette sui morsetti si posizionino sulle fessure sull'apparecchio, vedere la Diagramma.



- 3.11 Rimettere la parte decorativa.

PULIZIA DELLE PRESE D'ARIA

- 3.12 Assicurarsi che l'apparecchio sia scollegato.
3.13 Pulire regolarmente la presa d'aria e le griglie di uscita con un panno morbido o con il becco dell'aspirapolvere.



Gli accumuli di polvere possono impedire il corretto funzionamento della ventola e causare l'attivazione dell'interruttore di sicurezza.

- 3.14 Tenere l'area intorno all'apparecchio pulita e libera da lanugine, polvere o peli di animali.
3.15 In particolare, è possibile che si formino degli accumuli di polvere, ecc. attorno all'area del riscaldatore in cima all'elettrodomestico. Prestare particolare attenzione a mantenere quest'area regolarmente libera da tali particelle per impedire gli accumuli.

SOSTITUZIONE DELLE PILE

- 3.16 Quando la pila del telecomando è quasi completamente scarica, dev'essere sostituita immediatamente. Inserire una nuova pila compatibile e disporre della vecchia pila negli appositi contenitori di raccolta differenziata.

Brukerinstruksjoner

VIKTIG

**RILLENE FORAN VARMEUTTAKET BLIR VELDIG VARME UNDER BRUK.
IKKE DEKK TIL RILLENE ELLER NOEN ANNEN DEL AV APPARATET.**


Kun for bruk med 230 V 50Hz strømtilførsel.

Vennligst les disse instruksjonene nøye før bruk og oppbevar dem på et trygt sted.

Det vil bli bruk for dem når det skal utføres service eller vedlikehold på enheten.

DENNE PEISEN MÅ TILKOBLES JORD

1. Viktig Informasjon Helse Og Sikkerhet

- 1.1 Les alle instruksjonene nøye før du tar i bruk peisen.
- 1.2 Fjern all emballasje og sørg for å avhende emballasjen på en gjenvinningsstasjon.
- 1.3 Ikke plasser denne peisen umiddelbart rett under et strømkontakt.
- 1.4 Ikke bruk peisen i nærheten av bad, dusj, svømmebasseng eller annet område der peisen kan komme i kontakt med vann eller fuktighet, f.eks. i baderom.
- 1.5  **ADVARSEL! IKKE DEKK TIL**
Ikke la peisen bli tildekket eller la luftinntak/-avløp bli hindret da dette kan føre til overoppheting. Vennligst merk deg advarselssymbolet på peisen (se over).
- 1.6 **Kun for innendørs bruk.** Peisen er ikke egnet for bruk utenfor huset.
- 1.7 Dette apparatet må monteres i en tilpasset ramme av reisverk. Påse at apparatet er i vater og at møbler, gardiner osv. ikke er plassert nærmere enn 1 m.
- 1.8 Om strømledninger må passere gjennom en peis, steininnramming e.l. må det passes på at det monteres egnede gummihylser på mulige slitpunkter.
- 1.9 Hold strømledningen unna varme overflater og varme generelt. Ikke legg strømledningen foran peisen.

- 1.10 Når den elektriske peisen er installert, må plasseringen av støpslet være tilgjengelig.
- 1.11 Dersom strømkabelen er ødelagt, må du ikke bruke peisen før du har byttet den. Av sikkerhetsmessige grunner bør dette arbeidet utføres av Gazco servicepersonell eller elektriker med godkjent kompetanse.
- 1.12 **ADVARSEL:** For å unngå en fare grunnet utilsiktet tilbakestilling av den termiske sikringsautomaten, må denne anordningen ikke få strømtilførsel via et eksternt bryter-apparat, slik som en tidsbryter. Den må heller ikke kobles til en krets som regelmessig skrur på og av strømforsyningen.
- 1.13 Ikke bruk peisen hvis den har fått skader.
- 1.14 Reparasjoner av elektriske apparater må bare gjøres av autoriserte teknikere. Dersom peisen ikke virker eller det er blitt ødelagt, vennligst kontakt forhandleren som solgte deg peisen.
- 1.15 Dette apparatet kan brukes av barn fra 8 år og oppover og av personer med redusert fysisk, sensorisk eller mentale evner, eller mangel på erfaring og kjennskap, dersom de er under tilsyn eller har blitt gitt instruksjoner om bruk av apparatet på en trygg måte og de forstår farene som er involvert. Barn under 3 år bør holdes unna med mindre de er kontinuerlig overvåket.

Barn i alderen mellom 3 og 8 år skal kun slå apparatet på/ av dersom det er plassert og montert i dens tiltenkte normale driftsposisjon og de er under tilsyn eller har blitt gitt instruksjoner om bruk av apparatet på en trygg måte og de forstår farene involvert. Barn i alderen mellom 3 og 8 år skal ikke plugge inn, justere og rengjøre apparatet eller utføre vedlikehold.

Gazco anbefaler uansett:

Dette apparatet er ikke tiltenkt brukt av personer under 12 år, personer med nedsatt fysisk, sensorisk eller mental evne, eller personer som mangler erfaring og kjennskap til trygg betjening av apparatet.

Apparatet kan betjenes av personer over 12 år forutsatt at de har fått instruksjon i trygg bruk av apparatet og at de forstår hvilke farer som er involvert. Personer over 12 år kan også betjene apparatet under tilsyn av en ansvarlig voksen person.

Deler av dette apparatet blir varme under drift og personer under 12 år må ikke under noen omstendigheter forlates alene med produktet når det er i drift med mindre det brukes et varmeskjold for å beskytte dem mot direkte kontakt med apparatet.

Barn skal ikke leke med apparatet.

Rengjøring og brukervedlikehold skal ikke utføres av barn uten tilsyn.

2. Betjeningsinstrukser



ADVARSEL! Ikke bruk peisen hvis det har fått skader. Dersom du mistenker at peisen er ødelagt eller ikke fungerer som det skal, kontakt en godkjent tekniker for å inspisere peisen og, dersom nødvendig, bytt ut den aktuelle delen i det elektriske systemet før du bruker peisen igjen.

Ikke koble ut strømmen ved netstrømtilførselen mens apparatet er skrudd på. Bruk funksjonene på fjernkontrollen for å skru av flammen og sørg for at strømbryteren har blitt satt i av-posisjon før du kobler fra.

GENERELL INFORMASJON

- 2.1 Apparatet kan betjenes av radiofrekvens-håndkontrollen eller de manuelle kontrollene som befinner seg på høyre side av vinduet.



MERK: For å bruke både fjernkontrollen og manuelle funksjoner må den manuelle på/av-bryteren stå i posisjon 'PÅ'. For å unngå at produktet blir for varmt, er det en 10 sekunders forsinkelse når du skrur på varmeapparatet, og en 10 sekunders forsinkelse når du skrur av vitteovnen.

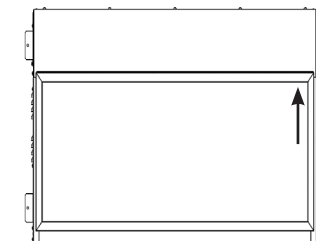
Den manuelle knappen kontrollerer grunnleggende funksjoner, ikke en hel serie med kontroller. Bruk fjernkontrollen for å utføre alle funksjonene.

FORBEREDELSE FØR BRUK

Batterier:

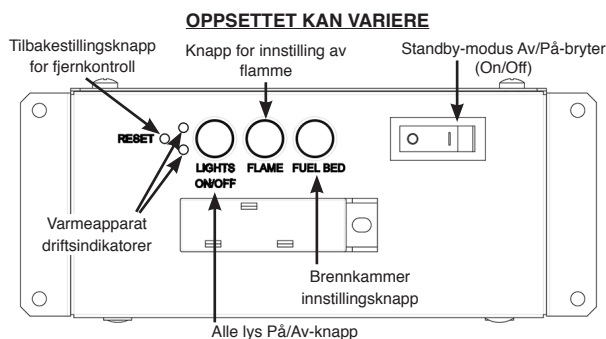
- 2.2 Forsikre deg om at batteriet i fjernkontrollen er nytt og er satt i korrekt.
- 2.3 Gamle batterier må kasseres på godkjent gjenvinningsstasjon.

PLASSERING AV STRØMBRYTER



2a. Manuelt kontrollpanel

- 2a.1 De manuelle kontrollene på apparatet befinner seg øverst til høyre på apparatet.
- 2a.2 Skru på apparatet med nettstrømbryteren i posisjon '—'. En langvarig pipelyd vil høres.
- 2a.3 Trykk på "LYS PÅ/AV" for å skru på eller av både flammen og brennkammeret samtidig.
- 2a.4 Det er 3 alternativ for flammefarge:
- Trykk på knappen "FLAMME" for å velge fargen på flammen eller gå tilbake til AV-posisjon.
- 2a.5 Det er 14 ulike brennkammer:
- Trykk på knappen "BRENNKAMMER" for å velge fargen på brennkammeret eller gå tilbake til AV-posisjon.



Merk: Apparatet vil miste minnet for lysfunksjonene når bryteren er satt i Av-posisjon eller fjernkontrollen går tom for strøm.

Varmeapparat driftsindikatorer (se Diagram 1)

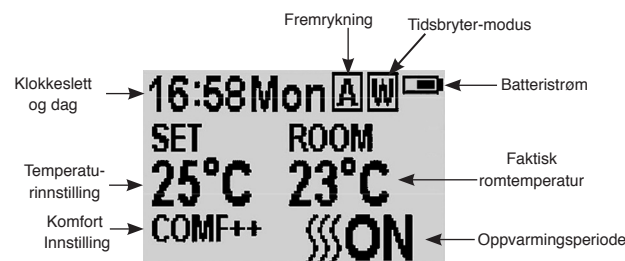
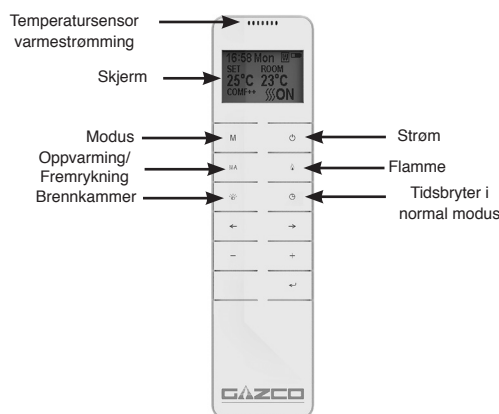
- 2a.6 Når vifteovnen brukes sammen med flamme- eller brennkammer-effekt vil varmeapparatets driftsindikatorer lyse opp i 10 sekunder.
- LED-lampene vil lyse i 10 sekunder dersom flamme- eller brennkammer-effekt er På.
- Dersom vifteovnen brukes uavhengig, vil varmeapparatets driftsindikatorer forbli på.

Tilbakestillingsknapp for fjernkontroll

- 2a.7 Dersom håndkontrollen mister signal eller behøves å skiftes ut, se vedlikeholdsavsnittet for mer detaljer.

2b. Fjernkontroller

Fjernkontrollen bør legges på et flatt underlag i rommet der apparatet er montert og vekk fra enhver direkte varmluftsstrøm.



Signalkode

- 2b.1 Fjernkontrollen virker via radiosignal. Den håndholdte senderen er konfigurert på fabrikk med en unik signalkode.

VIKTIG: Dersom håndkontrollen mister signal eller behøves å skiftes ut, se vedlikeholdsavsnittet for mer detaljer.



MERK: Fjernkontrollen har en batteristatusindikator (øverst i høyre hjørne). Etter en lengre periode med tom visning, vil LED-skjermen slutte å fungere til tross for at håndsettet fremdeles kan sende kommandoer. Erstatt batteriet for å gjenopprette displayet.

Skru på/av

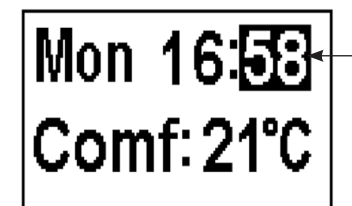
- 2b.2 Trykk på knappen for å skru på flamme-effekten.
- 2b.3 Trykk på knappen for å skru av alle funksjonene under normal varmekontroll-modus inkludert flamme-effekt og vifteovn.
- 2b.4 Trykk på knappen for å skru av flamme-effekten under daglig og ukentlig tidsbryter-varmemodus.

Ukedager/ Klokkeslett/ Komforttemperatur og Innstilling av enhet

Ved aktivering anbefales det at klokken stilles tilbake til riktig klokkeslett for å sørge for en nøyaktig drift av apparatet.

- 2b.5 Hold **M** knappen inne i 3 sekunder for å gå inn i skjermbildet for innstillinger.
- 2b.6 Trykk på knappen '←' eller '→' for å velge innstillingen som skal endres.

Det valgte tegnet vil fremheves, se Diagram.



- 2b.7 Trykk på knappen '+' eller '-' for å justere tallet.

Klokkeslett: 24-timers system.
Velg komforttemperatur fra 15-25°C.
Temperatur-enhet: °C/°F.

- 2b.8 Trykk på knappen i 3 sekunder eller vent i 10 sekunder for å lagre og gå ut av innstillingen av uke, klokkeslett og oppvarmingstemperatur.

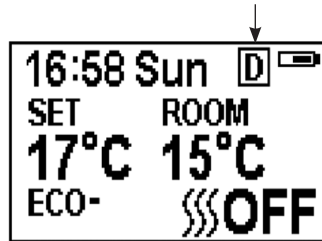
Brukerinstruksjoner

Daglig tidsinnstilt oppvarming

2b.9 De følgende oppvarmingsperiodene har blitt forhåndsinnstilt, og disse kan endres dersom det er ønskelig:

06:00 til 08.00
17.00 til 22.00

2b.10 Trykk på **M** inntil **D** vises i øvre høyre hjørne på skjermen for å gå inn i modusen for daglig tidsinnstilt oppvarming.

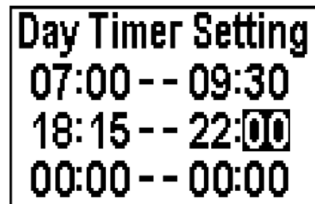


2b.11 Hold knappen inne i 6 sekunder for å gå inn i innstillingen for daglig oppvarming.

Maksimalt 3 tidsinnstilte oppvarmingsperioder kan stilles inn per dag.

2b.12 Trykk på '' eller '' for å velge time eller minutter.

2b.13 Trykk på '+' eller '-' for å stille inn tallet. Minuttene øker / synker med 15 min per trykk.



2b.14 Hold knappen inne i 3 sekunder eller vent i 10 sekunder for å lagre og gå ut av innstillingen av oppvarmings-tidsperiode.

2b.15 Sjekk tidsinnstillingen. Trykk på for å sjekke modusen for daglig tidsinnstilling.

2b.16 Dersom du vil skru av oppvarmingen, må du gå tilbake til normal kontrollmodus for å skru den av.

Når den er i modus for daglig tidsinnstilling, vil det å skru apparatet av med fjernkontrollen føre til at lysproduksjonen stanser. Varmeproduksjonen vil fortsette i samsvar med tidsinnstillingen.

Justering av den innstilte temperaturen

2b.17 Trykk på knappen '+' eller '-' for å øke eller redusere temperaturen fra utgangspunktet COMF-temperatur.

COMF betyr at den faktiske temperaturen er det samme som innstillingen.

ECO betyr at den faktiske temperaturen er 2°C lavere enn den innstilte temperaturen.

ECO- betyr 4°C lavere, COMF+ betyr 2°C høyere.

COMF++ betyr 4°C høyere.

Adaptiv startkontroll

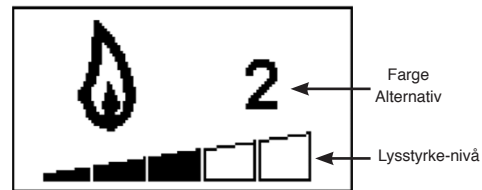
I samsvar med romtemperatur og innstilt temperatur, vil varmeapparatet automatisk avgjøre den hensiktsmessige tiden det vil ta å varme opp, for å sørge for at den når den innstilte temperaturen i den innstilte tiden (opptil 45 minutter før det innstilte klokkeslettet).

Justering av flammefarge

2b.18 Trykk på knappen for å gå inn i skjermbildet for flammefargejustering.

Det er 3 alternativer for flammefarge, indikert av nummeret vist i diagram.

Det er 6 nivå av lysstyrke, inkludert av. Dette er indikert av streken, og den tomme streken indikerer av, se Diagram.



2b.19 Trykk på knappen '' eller '' for å gå gjennom alternativene for flammefarge.

2b.20 Trykk på knappen '+' for å øke flammens lysstyrke.

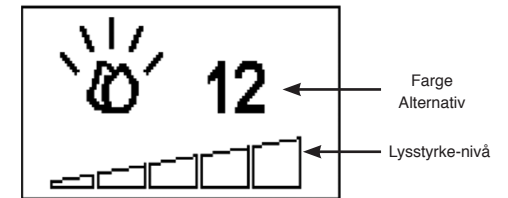
Trykk på knappen '-' for å redusere flammens lysstyrke inntil den går av.

Justering av brennkammer-farge

2b.21 Trykk på for å gå inn i skjermbildet for lysjustering av brennkammeret.

Det er 14 alternativer for brennkammerfarge, indikert av nummeret vist i diagram.

Det er 6 nivå av lysstyrke, inkludert av. Dette er indikert av streken, og den tomme streken indikerer av, se Diagram.



2b.22 Trykk på knappen '' eller '' for å gå gjennom alternativene for brennkammerfarge.

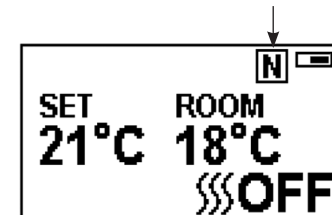
2b.23 Trykk på knappen '+' for å øke brennkammerets lysstyrke.

Trykk på knappen '-' for å redusere brennkammerets lysstyrke inntil den går av.

Normal kontrollmodus

2b.24 Normal kontrollmodus er default-innstilling.

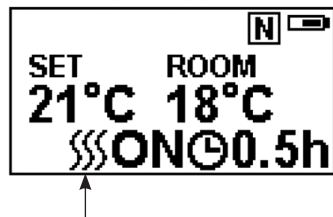
Alternativt kan du trykke på **M** knappen inntil **N** logoen vises øverst til høyre på skjermen, se Diagram.



Brukerinstruksjoner

2b.25 Trykk på knappen '+' eller '-' for å justere temperaturinnstillingen fra 17°C til 25°C.

2b.26 Trykk på knappen **[[[A** for å skru varmen på/av, **[[[PÅ** eller **[[[AV** vil vises nederst i høyre hjørne på skjermen, se Diagram.



Merk: Den er normalt at vifteovnen stanser i tidsperioder. Dette skjer dersom romtemperaturen er høyere enn temperaturen stilt inn på kontrollen.

Varmeapparatets indikator vil skrus av etter 10 sekunder dersom flammen er skrudd PÅ. Varmeapparatets indikator vil forbli PÅ dersom kun varmefunksjonen brukes.

Når den er i normal kontrollmodus, vil det å skru av apparatet med fjernkontrollen føre til at både lysproduksjonen og varmeproduksjonen stanser.

Nedtelling tidsbryter

Denne innstillingen er kun i normal oppvarming kontrollmodus. Den gjør at apparatet kan gå tilbake i hvilemodus etter en innstilt tidsperiode. Varmeapparatet må skrus på for å bruke denne funksjonen.

2b.27 Trykk på **⌚** for å gå gjennom innstillingen fra Av og 0,5 timer til 9 timer. Tidsbryterens logo og gjenværende tid vil vises på skjermen.

Apparatets varmeenhet kan drives automatisk ved å bruke daglig tidsinnstilling og ukentlig tidsinnstilling på fjernkontrollen.

Batteri

Batteriets strømnivå indikeres øverst til høyre på fjernkontrollens skjerm bilde, se Diagram.

	Batteri fullt	Ingen handling kreves
	Batteri halvfullt	Sørg for at nye batterier er tilgjengelige.
	Batteri tomt	Skift ut batterier umiddelbart

Utskiftning av batterier er anbefalt etter 1 år. Fjernkontrollen bruker 1.5V alkaliske AAA batterier.

Å skifte ut batteriene vil ikke påvirke innstillingene av tidsbryter-modus, men det kan hende at klokken må stilles.

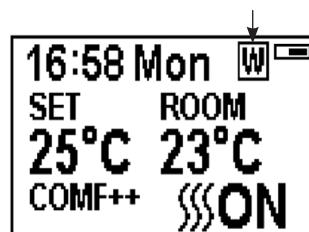
Uke tidsinnstilt oppvarming

2b.28 De følgende oppvarmingsperiodene har blitt forhåndsinnstilt, og disse kan endres dersom det er ønskelig:

Fra mandag til fredag
06:00 til 08:30
17.00 til 22.00

Fra lørdag til søndag
06.30 til 09.30
11.00 til 13.00
17.00 til 22.00

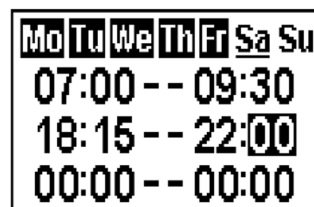
2b.29 Trykk på **M** inntil **[[[W** vises i øvre høyre hjørne på skjermen for å gå inn i modusen for uke tidsinnstilt oppvarming.



2b.30 Hold knappen **←** inne i 6 sekunder for å gå inn i innstillingen for uke oppvarming.

2b.31 Trykk på '**←**' eller '**→**' for å flytte markøren (en blinkende understrekning).

2b.32 Trykk på **←** knappen på den tilhørende uke-posisjonen for å velge (karakteren blir markert) eller avbryte (karakteren vises normalt) den inneværende innstillingen, den samme tidsperioden kan velges sammen.



2b.33 Trykk på knappen '**→**' for å flytte markøren til innstillingsområdet for tidsperiode.

2b.34 Trykk på '**←**' eller '**→**' for å velge time eller minutter,

2b.35 Trykk på '+' eller '-' for å stille inn tallet.

Maksimalt 3 tidsinnstilte oppvarmingsperioder kan stilles inn per dag.

Minuttene øker / synker med 15 min per trykk.

2b.36 Trykk på **←** for å stille inn oppvarmingstid for den valgte dagen og gå tilbake til ukelinjen.

2b.37 Hold knappen **←** inne i 3 sekunder eller vent i 10 sekunder for å lagre og gå ut av innstillingen av oppvarmings-tidsperiode.

2b.38 Trykk på **←** '**←**' eller '**→**' for å sjekke tidsinnstillingen for uke tidsinnstilt oppvarming.

2b.39 Dersom du vil skru av oppvarmingen, må du gå tilbake til normal kontrollmodus for å skru den av.

Når den er i modus for uke tidsinnstilling, vil det å skru av apparatet med fjernkontrollen føre til at lysproduksjonen stanser. Varmeproduksjonen vil fortsette i samsvar med tidsinnstillingen.

Justering av den innstilte temperaturen

2b.40 Trykk på knappen '+' eller '-' før å øke eller redusere temperaturen fra utgangspunktet COMF-temperatur.

COMF betyr at den faktiske temperaturen er det samme som innstillingen.

ECO betyr at den faktiske temperaturen er 2°C lavere enn den innstilte temperaturen.

ECO- betyr 4°C lavere.

COMF+ betyr 2°C høyere.

COMF++ betyr 4°C høyere.

Adaptiv startkontroll

I samsvar med romtemperatur og innstilt temperatur, vil varmeapparatet automatisk avgjøre den hensiktsmessige tiden det vil ta å varme opp, for å sørge for at den når den innstilte temperaturen i den innstilte tiden (opptil 45 minutter før det innstilte klokkeslettet).

Brukerinstruksjoner

Fremryknings-modus

- 2b.41 Oppvarmings-tilstanden kan rykke frem til neste periode, og dette er under både daglig og uke tidsinnstilt oppvarming.



Dersom varmeapparatet er på i den inneværende perioden, vil det å trykke på knappen skru varmeapparatet av.

Dersom varmeapparatet er av i den inneværende perioden, vil det å trykke på knappen skru varmeapparatet på.

Hvorvidt den faktiske oppvarmingen er på/av avhenger også av romtemperaturen og den innstilte temperaturen.

- 2b.42 Trykk på **SSS A** for å gå inn i Fremryknings-modus under daglig og uke tidsinnstilt oppvarming. **A** vil vises øverst i høyre hjørne på skjermen.
- 2b.43 Trykk på **SSS A** en gang til eller så vil tidsperioden slutte og gå ut av Fremryknings-modus.

Påvisning av åpne vinduer

- 2b.44 Når senderen oppdager et raskt fall av romtemperaturen, vil dette oppfattes som et åpent vindu: varsel-ikonet vil vises og oppvarmingen vil automatisk skrues av.



- 2b.45 Etter at innendørstemperaturen stiger eller etter manuelt inngrep (ved å bruke fjernkontrollen), vil det gå tilbake til normal driftsstatus.

3. Vedlikehold

- 3.1 **TA ALLTID STØPSLET UT AV STRØMKONTAKTEN FØR DU GJØR RENT ELLER UTFØRER NOEN FORMER FOR VEDLIKEHOLD.**

GENERELL RENGJØRING

- 3.2 Du må bare rengjøre det ytre kabinetet når det er kaldt. Ikke bruk rengjøringsmidler med slipemiddel.

RENGJØRING AV FRONTER

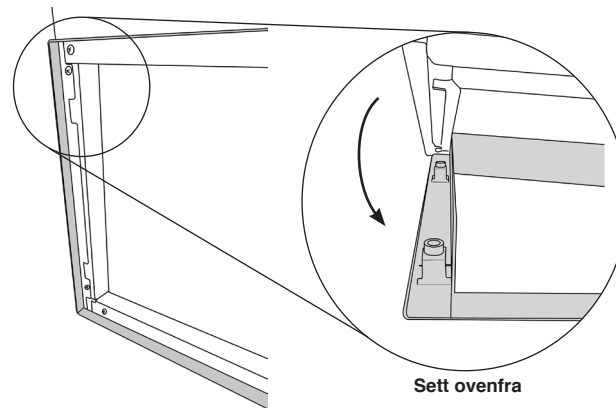
- 3.3 Tørk av glasspanelet med en fuktig klut og poler med en lofri støvfiller.

Forsiktig! Ikke bruk rengjøringsmidler med slipemiddel på glasspanelet. Ikke sprut væske direkte på noen av overflatene på enheten.

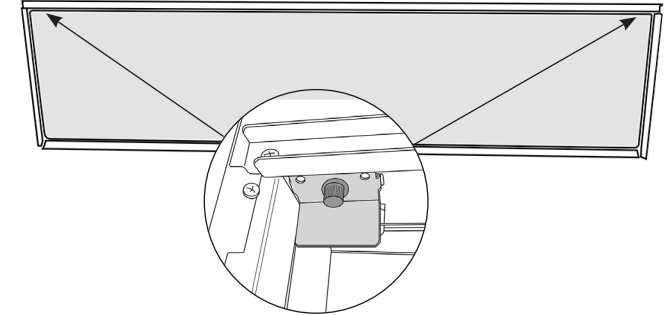
RENGJØRING AV BRENSEL EFFEKT

For å komme til brenseffekten er det nødvendig å fjerne glasspanelet.

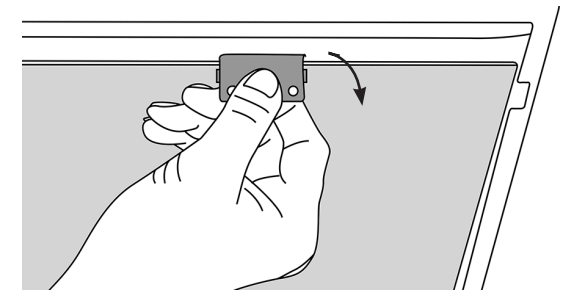
- 3.4 Påse at apparatet er dratt ut av stikkontakten.
- 3.5 Fjern først den dekorative rammen. Rammen holdes på plass med magneter. Dra forsiktig framover for å fjerne, se diagram.



- 3.6 De er en klemme i toppen av hvert hjørne på glasspanelet som holder glasset på plass, se diagram.



- 3.7 Bikk glasset forsiktig framover og løft det ut av det nedre brettet for å fjerne det fra apparatet, se diagram.
- 3.8 Bikk glasset forsiktig framover og løft det ut av det nedre brettet for å fjerne det fra apparatet, se diagram. Klemmen kan brukes for å gjøre fjerningen enklere.

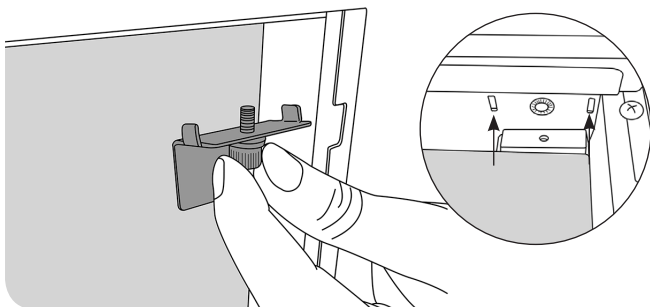


Du kan nå komme til brenseffekten.

- 3.9 Fjern og rengjør brenseffekten for å fjerne alle støvpartikler. Eller rengjør med en lofri støvfiller. **Påse at effekten er tørr før den settes tilbake.**

- 3.10 Sett glasset tilbake ved å følge instruksjonene i motsatt rekkefølge.

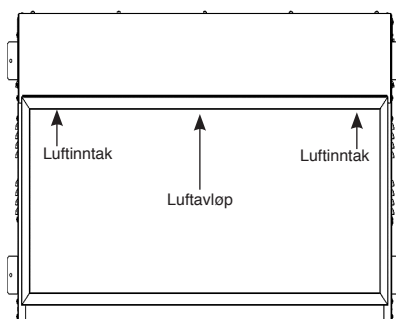
Når du setter klemmen tilbake er det viktig å se til at klemmen er plassert i sporene på apparatet, se diagram.



- 3.11 Sett den dekorative rammen tilbake.

RENGJØRING AV LUFTINTAK

- 3.12 Forsikre deg om at støpslet til peisen er tatt ut av strømkontakten.
- 3.13 Rengjør ristene ved inntaket og avløpet jevnlig med en myk klut eller munnstykket på en støvsuger.



Oppsamlet støv kan hindre effektiv ytelse på viften og føre til aktivering av termisk sikringsautoma.

- 3.14 Hold området rundt peisen rent og fritt for lo, støv eller hår fra kjæledyr.

- 3.15 Opphopning av støv og lignende kan særlig oppstå rundt varmeområdet på toppen av apparatet. Vær spesielt nøye med å holde dette området fritt for slike partikler, rengjør jevnlig for å hindre oppsamling.

BYTTE BATTERI

- 3.16 Når fjernkontrollbatteriet er tomt må det byttes umiddelbart. Bytt med riktig type og lever det gamle batteriet på forskriftsmessig måte til et resirkuleringsmottak.

Instrucciones Para El Usuario

IMPORTANTE

LA REJILLA DE SALIDA DE CALEFACCIÓN SE CALIENTA MUCHO DURANTE EL FUNCIONAMIENTO. NO CUBRA LA REJILLA DE SALIDA NI NINGUNA PARTE DEL APARATO.


Para uso con 230V 50Hz únicamente.

Leer las presentes instrucciones antes de la instalación y guardarlas cuidadosamente en lugar seguro.

Serán necesarias en el momento de hacer el mantenimiento

ESTE APARATO REQUIERE TOMA A TIERRA.

1. Información Importante Y Salud Y Seguridad

- 1.1 **Antes de utilizar el aparato lea atentamente todas las instrucciones.**
- 1.2 **Proceda a reciclar todo el embalaje.**
- 1.3 No coloque este aparato inmediatamente por debajo de una toma de corriente fija.
- 1.4 No utilizar el aparato en las inmediaciones de un cuarto de baño, ducha o piscina o en zonas en las que el aparato puede estar en contacto con agua o humedad, p.ej. un baño.
- 1.5  **¡ADVERTENCIA! NO LO CUBRA**
No cubrir ni tapar el aparato, deje circular el aire en su entorno. Observe el símbolo de advertencia sobre el aparato (véalo arriba).
- 1.6 **Este aparato está destinado para uso en el interior** y no es adecuado para ser utilizado en el exterior.
- 1.7 Este aparato se debe instalar en un alojamiento atornillado fabricado al efecto. Compruebe que el aparato está nivelado y no hay muebles, cortinas, etc. a menos de 1 m del aparato.
- 1.8 Si el cable ha de pasar por chimeneas, estar empotrado, etc. Debe asegurarse que éste esté debidamente protegido.
- 1.9 Mantenga el enchufe alejado de superficies calientes. No conecte el cable de señal en frente del aparato.
- 1.10 Una vez instalado el aparato, el enchufe debe quedar accesible.

- 1.11 Si el cable eléctrico está dañado no utilice el aparato hasta su reemplazo. Por razones de seguridad el reemplazo ha de ser realizado por Gazco o el servicio técnico de Gazco o un electricista cualificado.
- 1.12 **PRECAUCIÓN:** Con el fin de evitar un riesgo debido a un reajuste inadvertido del interruptor térmico, este aparato no se debe suministrar a través de un dispositivo de conmutación externo, como un temporizador, o conectado a un circuito que el servicio público encienda y apague regularmente.
- 1.13 No utilizar el aparato en el supuesto de estar averiado o dañado.
- 1.14 Las posibles reparaciones deben ser efectuadas siempre por persona debidamente autorizada y cualificada. Si el aparato no funciona, o en caso de cualquier daño, por favor póngase en contacto con el distribuidor donde adquirió el producto.
- 1.15 Este aparato puede ser utilizado por niños mayores de 8 años y personas con capacidades físicas, sensoriales o mentales reducidas o que carezcan de experiencia y conocimientos, siempre que estén vigilados o que se les haya indicado cómo utilizar el aparato de forma segura y que entiendan los riesgos asociados. Los niños menores de 3 años deben mantenerse alejados a menos que sean supervisados continuamente.

Los niños de 3 a 8 años solo deben encender/apagar el aparato siempre que esté colocado o instalado en la posición de funcionamiento normal y que estén vigilados o que se les haya indicado cómo utilizar el aparato de forma segura y que entiendan los riesgos asociados. Los niños de 3 a 8 años no deben enchufar, regular y limpiar el aparato ni realizar las tareas de mantenimiento.

Sin embargo, Gazco recomienda:

Este aparato no está destinado a ser utilizado por personas menores de 12 años, personas con discapacidad física, sensorial o mental o personas sin ninguna experiencia o conocimiento sobre cómo utilizar el aparato de forma segura. El aparato puede ser utilizado por personas mayores de 12 años siempre que hayan recibido instrucciones acerca de un uso seguro del aparato y que entiendan los peligros que puede conllevar. Las personas mayores de 12 años también pueden utilizar el aparato bajo la supervisión de un adulto responsable.

Este aparato contiene piezas que pueden calentarse durante el uso, por lo que bajo ninguna circunstancia debe permitirse que personas menores de 12 años se queden solas con el producto mientras esté en funcionamiento, a menos que se utilice una pantalla de protección adecuada para protegerles ante cualquier posibilidad de entrar en contacto directo con el aparato.

Los niños no deben jugar con el aparato.

El mantenimiento de limpieza por parte del usuario no debe ser realizado por niños sin la supervisión de un adulto.

2. Instrucciones De Uso



¡ADVERTENCIA! No ponga el aparato en funcionamiento si se encontrara dañado o si funciona incorrectamente. Si sospechara que el aparato se encuentra dañado o funciona incorrectamente, antes de volver a utilizarlo llame a un técnico de servicio acreditado para que lo inspeccione y sustituya cualquier pieza del sistema eléctrico si fuera necesario.

NO desenchufe el aparato del suministro eléctrico mientras se encuentre funcionando. Utilice las funciones del mando a distancia para apagar el calefactor y asegúrese de que el interruptor de aislamiento se haya colocado en la posición de apagado antes de desenchufar.

ASPECTOS GENERALES

- 2.1 El aparato puede funcionar con el mando de frecuencia de radio o los controles manuales que están situados en el lado derecho del visor.



NOTA: Para usar tanto las funciones a distancia como las manuales, el interruptor manual de encendido/apagado debe estar en la posición de encendido «ON». Para evitar que el aparato se caliente demasiado, hay un retraso de 10 segundos cuando se enciende el calefactor y otro retraso de 10 segundos cuando se apaga el ventilador.

El botón manual controla las funciones básicas, no una amplia gama de controles. Use el mando a distancia para llevar a cabo todas las funciones.

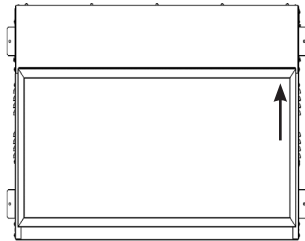
PREPARACIÓN ANTES DE UTILIZARLO

Baterías:

- 2.2 Compruebe que la batería del mando sea nueva y se encuentra correctamente insertada.
- 2.3 Deshágase de las baterías viejas en una instalación de reciclaje apropiada.

Instrucciones Para El Usuario

UBICACIÓN DEL INTERRUPTOR DE ALIMENTACIÓN



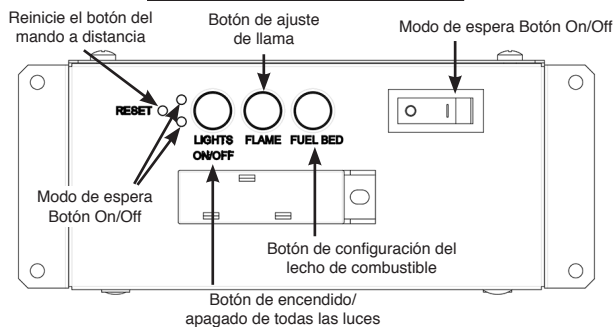
2a. Panel de control manual

- 2a.1 Los controles manuales están situados en la esquina superior derecha del aparato.
- 2a.2 Se escuchará un fuerte pitido al encender el aparato con el interruptor de encendido en la posición «—».
- 2a.3 Pulse «LUCES ENCENDIDAS/APAGADAS» para encender o apagar tanto la llama como el lecho de combustible al mismo tiempo.
- 2a.4 Hay 3 colores disponibles de llama.

Pulse el botón de «LLAMA» para seleccionar el color de la llama o vuelva a la posición de apagado «OFF».
- 2a.5 Existen 14 opciones de color para el lecho de combustible:

Pulse el botón «FUEL BED» para seleccionar el color del lecho de combustible o regresar a la posición apagada.

LAS POSICIONES PUEDEN VARIAR



Nota: El aparato perderá la memoria de las funciones de luz cuando el interruptor se coloque en la posición de apagado «Off» o el mando a distancia se quede sin pilas.

Indicadores del funcionamiento del calefactor (consulte el diagrama)

- 2a.6 Al usar el ventilador calefactor junto con el efecto de llama o el lecho de combustible, los indicadores de funcionamiento del calefactor se encienden durante 10 segundos.

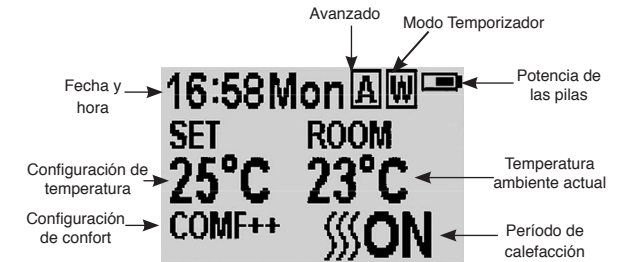
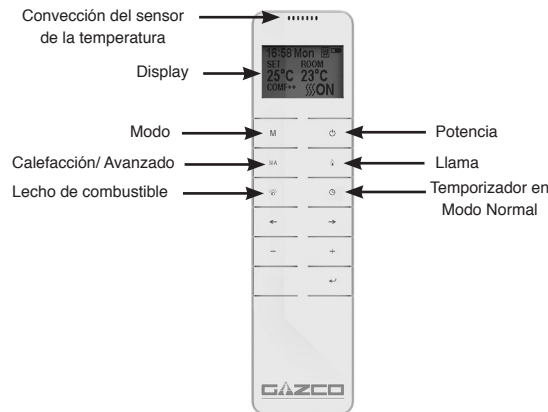
Las luces LED se encenderán durante 10 segundos si el efecto de la llama o el lecho de combustible está activado. Si el ventilador se utiliza independientemente, los indicadores del funcionamiento del calefactor permanecerán encendidos.

Reinicie el botón del mando a distancia

- 2a.7 Si el mando pierde señal o necesita ser reemplazado, consulte la sección en la sección de mantenimiento para más detalles.

2b. Mandos a distancia

El mando a distancia debe dejarse en una superficie plana en la habitación donde está instalado el aparato y fuera del alcance de cualquier flujo directo de aire caliente.



Código de aviso

- 2b.1 El mando a distancia funciona por señal de radio. El transmisor manual está configurado de fábrica con un código de aviso único.

IMPORTANTE: Si el mando pierde señal o necesita ser reemplazado, consulte la sección en la sección de mantenimiento para más detalles.



NOTA: El control remoto tiene un indicador de estado de la batería (en la esquina superior derecha); tras un lapso prolongado de mostrar que está agotada, la pantalla LED dejará de funcionar. Sin embargo, el mando seguirá controlando la unidad. Cambie las pilas para que la pantalla vuelva a funcionar.

Encender/apagar

- 2b.2 Pulse el botón para encender el efecto llama.
- 2b.3 Pulse el botón para apagar todas las funciones bajo el modo de control de calefacción normal, que incluye el efecto llama y el ventilador.
- 2b.4 Pulse el botón para desactivar el efecto llama del modo temporizador diario y semanal de la calefacción.

Días de la semana/hora/temperatura de confort y configuración de unidad

Al activarse, se recomienda que se reajuste la hora adecuada en el reloj para garantizar la precisión del funcionamiento del aparato.

- 2b.5 Mantenga pulsado el botón **M** durante 3 segundos para ingresar a la pantalla de configuración.
- 2b.6 Pulse el botón «←» o «→» para elegir la configuración a cambiar.

Instrucciones Para El Usuario

El carácter seleccionado se iluminará, consulte el diagrama.



2b.7 Pulse el botón '+' o '-' para ajustar el número.

Hora: sistema 24 horas.
Seleccione la temperatura de confort a partir de los 15-25°C.
Unidades de temperatura: °C/°F.

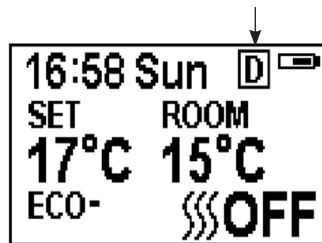
2b.8 Pulse el botón durante 3 segundos o espere 10 segundos para guardar y salir de la configuración de la semana, la hora y la temperatura de la calefacción.

Temporizador diario de la calefacción

2b.9 Los siguientes periodos de calefacción han sido preestablecidos, aunque pueden modificarse si se desea:

06:00 hasta 08:00
17:00 hasta 22:00

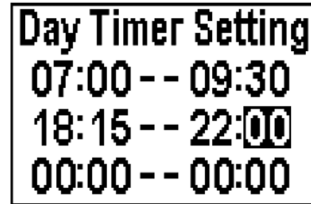
2b.10 Mantenga pulsado **M** hasta que **D** aparezca en la esquina superior derecha de la pantalla para introducir el modo temporizador diario de la calefacción.



2b.11 Mantenga pulsado el botón durante 6 segundos para introducir la configuración de la calefacción diaria.
Se puede establecer un máximo de 3 períodos de calefacción programados por día.

2b.12 Pulse el botón '<' o '>' para elegir la hora o el minuto.

2b.13 Pulse el botón '+' o '-' para fijar el número.
Cada pulsación añade/resta 15 minutos.



2b.14 Mantenga pulsado el botón durante 3 segundos o espere 10 segundos para guardar y salir de la configuración del período de tiempo de calefacción.

2b.15 Compruebe la configuración del temporizador. Pulse para comprobar el modo temporizador diario.

2b.16 Si tiene que apagar la calefacción, es necesario que vuelva al modo de control normal.

Cuando esté en modo temporizador diario, apague el aparato con el mando a distancia. Esto detendrá la potencia luminosa. La potencia térmica continuará según los ajustes del temporizador.

Ajuste de la temperatura programada

2b.17 Pulse el botón '+' o '-' para aumentar o disminuir la temperatura en función de la temperatura COMF.

COMF significa que la temperatura actual es la misma que la programada.

ECO significa que la temperatura actual es 2 °C menos que la temperatura programada.

ECO- significa 4 °C menos.

COMF+ significa 2 °C más.

COMF++ significa 4 °C más.

Control adaptable de inicio

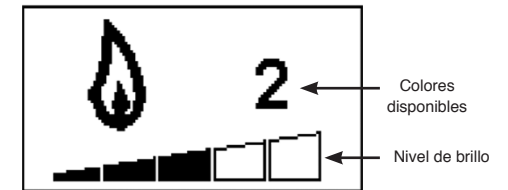
Según la temperatura ambiente y la temperatura establecida, el calefactor determinará automáticamente el momento apropiado para calentar para garantizar que se alcanza la temperatura establecida en el tiempo establecido (hasta 45 minutos antes del tiempo programado).

Ajuste del color de la llama

2b.18 Pulse el botón para ingresar en la pantalla de ajuste de la llama.

Hay 3 colores disponibles de llama que se indican en el número mostrado en el diagrama.

Hay 6 niveles de brillo, incluido el apagado. Esto se indica en la barra. La barra en blanco indica que está desactivado, consulte el diagrama.




2b.19 Pulse el botón '<' o '>' para ir pasando entre los colores disponibles de llama.

2b.20 Pulse el botón '+' para aumentar el brillo de la llama.

Pulse el botón '-' para disminuir el brillo de la llama hasta apagarla.

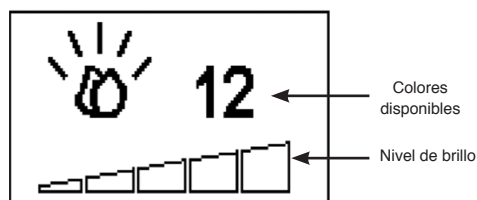
Instrucciones Para El Usuario

Regulación del color del lecho de combustible

2b.21 Pulse  para ingresar a la pantalla de regulación de la luz del lecho de combustible.

Hay 14 colores opcionales para el lecho de combustible, que se indican con el número en pantalla.

Hay 6 niveles de brillo, incluido el apagado. Esto se indica en la barra. La barra en blanco indica que está desactivado, consulte el diagrama.



2b.22 Pulse el botón '←' o '→' para recorrer las opciones de color del lecho de combustible.

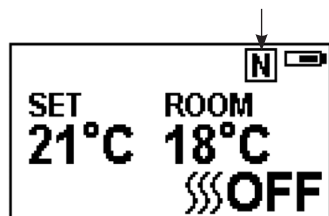
2b.23 Pulse el botón "+" para aumentar el brillo del lecho de combustible.

Pulse el botón "-" para reducir el brillo del lecho de combustible hasta apagarlo.

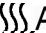


Modo de control normal

2b.24 El modo de control normal es la configuración predeterminada.

Alternativamente, pulse el botón **M** hasta que aparezca el **N** logotipo en la esquina superior derecha de la pantalla, consulte el diagrama.



2b.25 Pulse el botón '+' o '-' para ajustar la temperatura programada desde 17°C a 25°C.

2b.23 Pulse el botón  **A** para encender o apagar la calefacción. Los botones de  encendido o  apagado se mostrarán en la esquina inferior derecha de la pantalla, consulte el diagrama.




Nota: Es normal que el ventilador deje de funcionar durante unos períodos de tiempo. Esto ocurre si la temperatura ambiente es más alta que la temperatura establecida en el control.

El indicador del calefactor se apagará después de 10 s si la llama se enciende. El indicador del calefactor permanecerá encendido si solo se usa la función de calefacción.

Cuando esté en modo de control normal, apague el aparato con el mando a distancia. Esto detecta tanto la potencia luminosa como la potencia térmica.

Contador regresivo



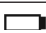
Esta configuración solo está en el modo de control de calefacción normal. Esto permite que el aparato vuelva al modo de espera tras un período de tiempo programado. Para usar esta función, el calefactor debe de estar encendido.

2b.27 Pulse  para ir pasando entre la opción de ajuste de apagado «Off» y de 0,5 horas a 9 horas. El logotipo del temporizador y el tiempo restante aparecerán en la pantalla.

El calefactor del aparato se puede ejecutar automáticamente mediante el uso del temporizador diario y el semanal en el mando a distancia.

Batería

El nivel de energía de las pilas se indica en la parte superior de la pantalla del mando a distancia, consulte el diagrama.

	Pilas cargadas	No es preciso tomar medidas
	Pilas a media potencia	Asegúrese que haya nuevas pilas disponibles
	Pilas descargadas	Cambie las pilas inmediatamente

Se recomienda cambiar las pilas después de 1 año. El mando a distancia necesita dos pilas alcalinas tipo AAA de 1,5V.


Cambiar las pilas no afectará la configuración del modo temporizador. Sin embargo, es posible que se necesite ajustar el reloj.

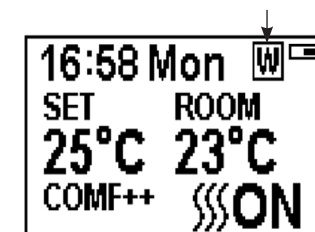
Temporizador semanal de la calefacción

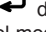
2b.28 Los siguientes periodos de calefacción han sido preestablecidos, aunque pueden modificarse si se desea:

De lunes a viernes
06:00 hasta 08:30
17:00 hasta 22:00

De sábado a domingo
06:30 hasta 09:30
11:00 hasta 13:00
17:00 hasta 22:00


2b.29 Mantenga pulsado **M** hasta que  aparezca en la esquina superior derecha de la pantalla para introducir el modo de calefacción semanal.

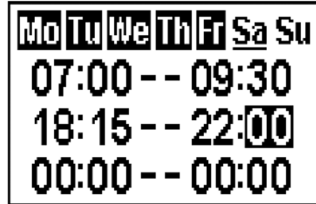



2b.30 Mantenga pulsado el botón  durante 6 segundos para introducir la configuración del modo temporizador semanal de la calefacción.



2b.31 Pulse '←' o '→' para mover el cursor (una línea intermitente).



Instrucciones Para El Usuario

- 2b.32 Pulse el botón  en la posición correspondiente de la semana para seleccionar (el carácter está iluminado) o cancelar (el carácter se muestra normalmente) la configuración actual. El mismo período de tiempo se puede seleccionar al mismo tiempo.




- 2b.33 Pulse el botón  para mover el cursor al área de configuración del período de tiempo.


- 2b.34 Pulse el botón  o  para elegir la hora o el minuto.




- 2b.35 Pulse el botón  o  para fijar el número.

Se puede establecer un máximo de 3 períodos de calefacción programados por día.

Cada pulsación añade/resta 15 minutos.

- 2b.36 Pulse  para establecer el tiempo de calefacción para el día seleccionado y vuelva a la semana.



- 2b.37 Pulse el botón  durante 3 segundos o espere 10 segundos para guardar y salir de la configuración de la semana, la hora y la temperatura de la calefacción.

- 2b.38 Pulse   o  para comprobar la configuración temporizador para el modo temporizador semanal de la calefacción.

- 2b.39 Si tiene que apagar la calefacción, es necesario que vuelva al modo de control normal.

Cuando esté en modo temporizador diario, apague el aparato con el mando a distancia. Esto detendrá la potencia luminosa. La potencia térmica continuará según los ajustes del temporizador.

Ajuste de la temperatura programada

- 2b.40 Pulse el botón  o  para aumentar o disminuir la temperatura en función de la temperatura COMF.

COMF significa que la temperatura actual es la misma que la programada.

ECO significa que la temperatura actual es 2 °C menos que la temperatura programada.

ECO- significa 4 °C menos.

COMF+ significa 2 °C más.

COMF++ significa 4 °C más.


Control adaptable de inicio


Según la temperatura ambiente y la temperatura establecida, el calefactor determinará automáticamente el momento apropiado para calentar para garantizar que se alcanza la temperatura establecida en el tiempo establecido (hasta 45 minutos antes del tiempo programado).

Modo avanzado










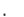



- 2b.41 El estado de la calefacción puede avanzar hasta el siguiente período tanto en el modo temporizador diario como semanal de la calefacción.















Si el calefactor está encendido en el período actual, al pulsar el botón  se apagará el calefactor.

Si el calefactor está apagado en el período actual, al pulsar el botón  se encenderá el calefactor.

Si la calefacción actual se enciende o se apaga también depende de la temperatura ambiente y de la temperatura programada.

- 2b.42 Pulse             para introducir el modo avanzado bajo el modo temporizador diario y semanal de la calefacción  que se mostrará en la esquina superior derecha de la pantalla.

- 2b.43 Pulse             de nuevo o el período del temporizador expirará y se saldrá del modo avanzado.

Detección de ventana abierta

- 2b.44 Cuando el transmisor detecte una rápida disminución de la temperatura ambiente, se considerará como una ventana abierta: se mostrará el icono de advertencia y la calefacción se apagará automáticamente.



- 2b.45 Después de que la temperatura interior aumente o por intervención manual (al accionar el mando a distancia), volverá al estado de funcionamiento normal.

3. Mantenimiento

- 3.1 **ANTES DE INICIAR CUALQUIER TRABAJO DE MANTENIMIENTO PROCÉDASE A DESENCHUFAR EL APARATO.**

LIMPIEZA

- 3.2 Limpie la cubierta exterior solamente cuando esté fría. No utilice limpiadores abrasivos.

FRENTES DE LIMPIEZA

- 3.3 Limpie la parte delantera con un paño húmedo y con un limpiador que no deje pelusa.

Precaución: No utilice limpiadores abrasivos en el panel de cristal. No rocíe líquidos directamente sobre ninguna superficie de la unidad.

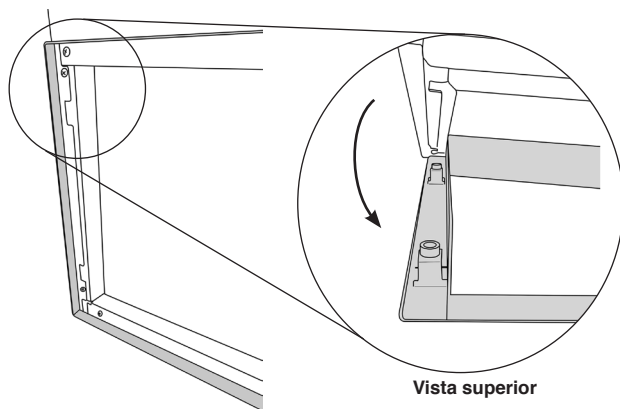
Instrucciones Para El Usuario

LIMPIEZA DEL EFECTO DE COMBUSTIBLE

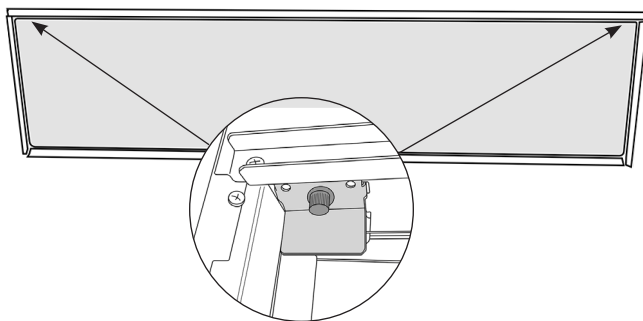
Para acceder al efecto de combustible, es necesario quitar el panel del visor de cristal.

3.4 Compruebe que el aparato está desenchufado.

3.5 En primer lugar, retire el bisel decorativo. El bisel se sujeta mediante imanes. Tire lentamente hacia adelante para quitarlo; consulte el diagrama.

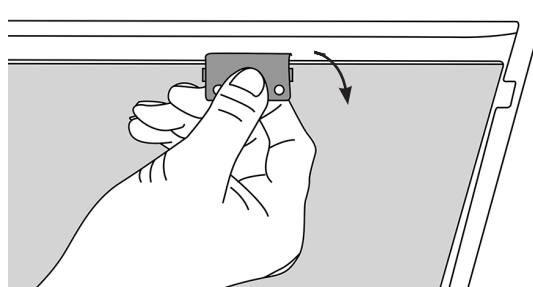


3.6 En la parte superior de cada esquina del panel visor de cristal hay una abrazadera que sujeta el cristal; consulte el diagrama.



3.7 Apoye el cristal y afloje y quite las 2 abrazaderas. Puede desenroscarlas con las manos.

3.8 Con cuidado, incline el cristal hacia adelante y levante de la bandeja inferior para sacarlo del aparato; consulte el diagrama. La abrazadera puede ayudar para sacarlo.



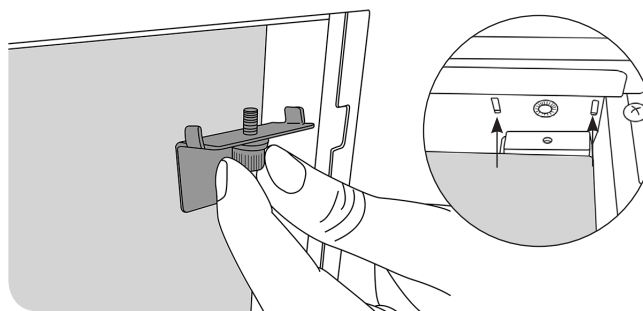
Ahora puede acceder al efecto de combustible.

3.9 Quite y lave el efecto de combustible para eliminar las partículas de polvo. También puede limpiar con un limpiador que no suelte pelusa.

Antes de volver a colocarlo, compruebe que el efecto está seco.

3.10 Reponga el cristal siguiendo las instrucciones a la inversa.

Al volver a colocar las abrazaderas, compruebe que las pestañas se encajan en las ranuras del aparato; consulte el diagrama.

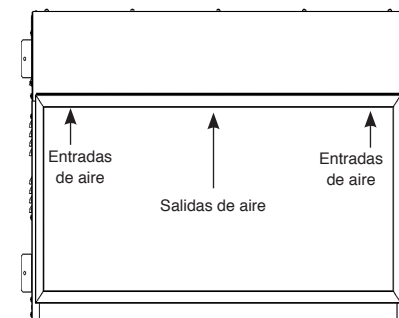


3.11 Reponga el bisel decorativo.

LIMPIEZA DE LAS ENTRADAS DE AIRE

3.12 Asegúrese de que el aparato está desenchufado.

3.13 Limpie las entradas y salida de aire regularmente con un paño suave o la boquilla de una aspiradora.



La acumulación de polvo puede inhibir el desempeño eficiente del ventilador y de llevar a la desconexión de seguridad de funcionamiento.

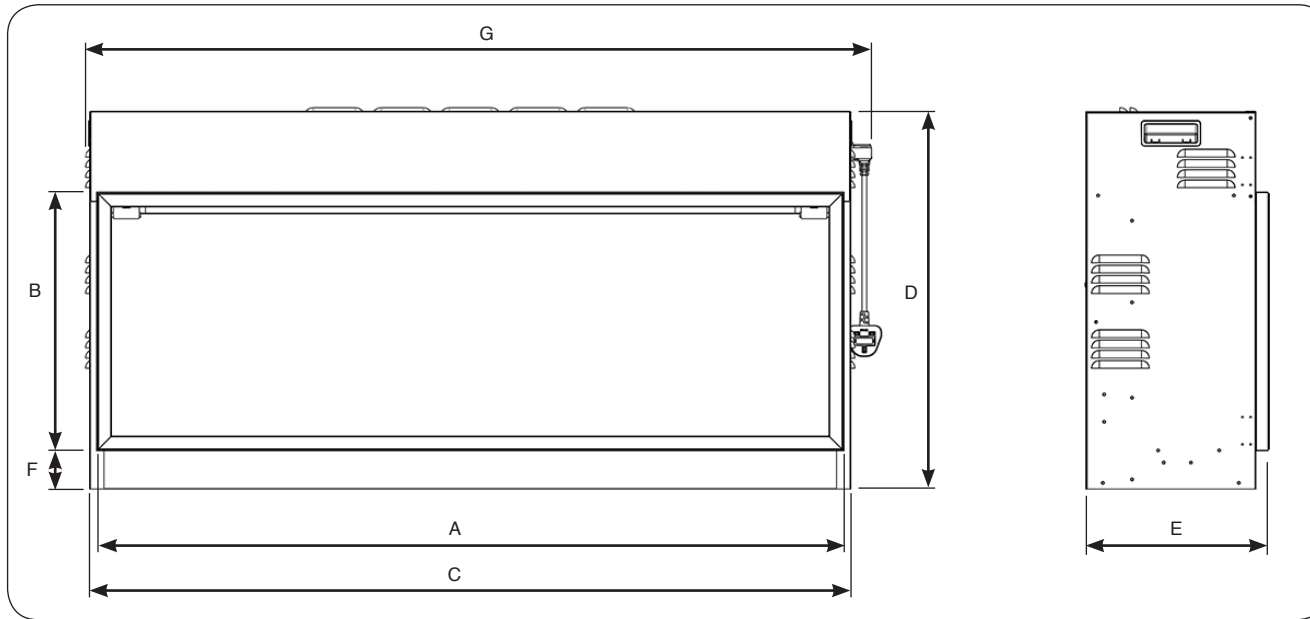
3.14 Mantenga la zona cercana a la estufa, limpia, sin polvo ni cabellos.

3.15 En particular, se puede acumular polvo, etc., por la zona de la calefacción de la parte superior del aparato. Es muy importante mantener la zona de la estufa libre de suciedad que pueda circular por el interior del aparato, pudiendo propiciar averías.

SUSTITUCIÓN DE LA PILA

3.16 Cuando la batería del mando se esté agotando, debe sustituirse de forma inmediata. Coloque la batería nueva correctamente y deseche la antigua correctamente en un punto de reciclaje.

eReflex Inset 55R	eReflex Inset 75R	eReflex Inset 85R	eReflex Inset 105R	eReflex Inset 135R	eReflex Inset 195R
210-063EU	210-071EU	210-009EU	210-017EU	210-023EU	210-031EU



EN: A 230V 13 Amp 50Hz supply is required
Maximum power consumption:

FR: Une alimentation électrique de 230V, 13A, 50Hz est requise.
La consommation électrique maximale:

NL: Een 230V, 13A, 50 Hz voeding is vereist.
Maximaal energieverbruik:

IT: È necessaria un'alimentazione da 230V 13 ampere, 50Hz
Consumo di corrente massimo:

NO: Det kreves 230V 13A 50Hz strømtilførsel
Maksimum strømforbruk:

ES: Se requieren 230V 13 Amp y 50Hz
Máximo consumo:

eReflex 55R	2000 Watts
eReflex 75R	2000 Watts
eReflex 85R	2000 Watts
eReflex 105R	2000 Watts
eReflex 135R	2000 Watts
eReflex 195R	2000 Watts

Model	A	B	C	D	E	F	G
eReflex Inset 55R	600	600	620	780	300	57	657
eReflex Inset 75R	800	800	820	980	300	57	857
eReflex Inset 85R	900	380	920	560	270	57	957
eReflex Inset 105R	1100	380	1120	560	270	57	1157
eReflex Inset 135R	1400	380	1420	560	270	57	1457
eReflex Inset 195R	2000	380	2020	560	270	57	2057

EN: A 1.8 metre lead with plug containing a BS1362 13A fuse is supplied.
Only use a BS1362 13A fuse with this appliance.

2 x Remote control handset battery (AAA)

FR: L'appareil est fourni avec un câble électrique de 1,80 m de long équipé d'une prise de courant.

2 x Pile de la commande à distance (AAA).

NL: Er wordt een kabel van 1.8 meter met een stekker
2 x Batterij afstandsbediening (AAA).

IT: Viene fornito un cavo di 1,8 m con una spina.
2 x Batteria del telecomando (AAA)

NO: En 1,8 m lang ledning med støpsel.
2 x Batteri til fjernkontrol (AAA).

ES: Se suministra un cable de 1,8 metros con enchufe.
2 x Batería (AAA)



EN: THIS APPLIANCE MUST BE EARTHED

FR: CET APPAREIL DOIT ÊTRE RELIÉ À LA TERRE

NL: DIT APPARAAT MOET WORDEN GEAARD

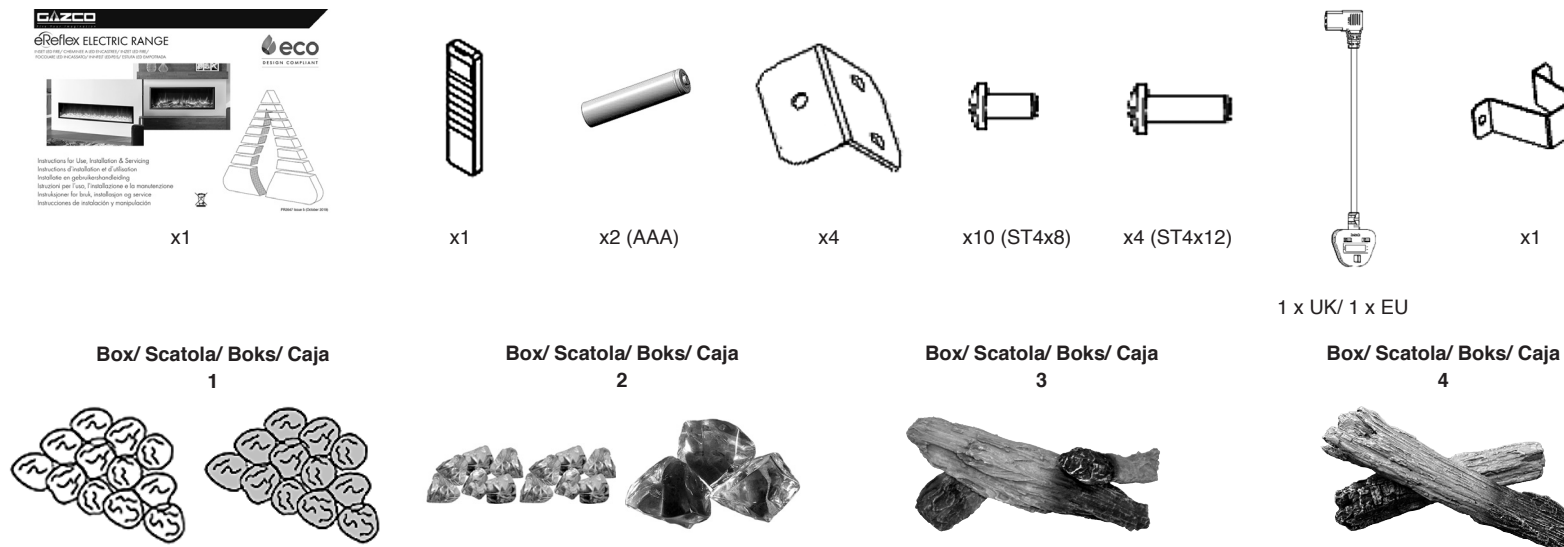
IT: QUESTO APPARECCHIO DEVE ESSERE PROVVISTO DI MESSA A TERRA

NO: DENNE PEISEN MÅ TILKOBLES JORD

ES: ESTE APARATO REQUIERE TOMA A TIERRA

Control System Technical Data/ Données techniques du système de commande/ Controlesysteem technische data/ Dati tecnici del sistema di controllo/ Kontrollsystem teknisk data/ Datos técnicos del sistema de control			
	Main Control Board/ Tableau de commande principal/ Hoofdbedieningstafel/ Pannello di controllo principale/ Hoved-kontrollkort/ Placa de control principal	Remote Receiver Board/ Tableau du récepteur à distance/ Afstandontvangstafel/ Scheda ricevitore remoto/ Fjernmottager-kort/ Placa receptora a distancia	Remote Control/ Commande à distance/ Afstandsbediening/ Telecomando/ Fjernkontrol/ Mando a distancia
Hardware	RC01-041A01 V2.	RF290B V1.2	RF290A-TX V1.3
Software/ Logiciel	RC01-041A01 V2.	-	RF290C V06.0.HEX
Frequency/ Fréquence/ Frequentie/ Frequenza/ Frekvens/ Frecuencia	-	-	ASK/OOK 433.92MHz
Maximum Transmit Power/ Puissance de transmission maximum/ Maximale zendkracht/ Massima potenza di trasmissione/ Maksimal sendestrøm/ Potencia máxima de transmisión	-	-	10mW

PACKING CHECKLIST/ LISTE DE VÉRIFICATION DU CONDITIONNEMENT/ PAKLIJST/ ELENCO DI IMBALLAGGIO/ PAKKSEDEL OG SJEKKLISTE/ LISTADO DEL EMBALAJE



Box numbers will vary depending on appliance model/ Les numéros de boîte varient selon le modèle d'appareil/ Doosnummers kunnen variëren afhankelijk van toestelmodel/
Il numero di scatole varia in base al modello di apparecchio/ Antall bokser vil variere avhængig av apparatets modell/ La cantidad de cajas varía según el modelo

Installation Instructions/ Instructions D'installation

EN: 1. General

1.1 TOOLS REQUIRED

A Screwdriver, Spirit Level, Saw and Drill will be needed.

1.2 UNPACKING THE FIREPLACE

WARNING! DO NOT use this appliance if any part has been exposed to water.

Immediately call a qualified service technician to inspect and to replace any part of the electrical system if necessary.

1.3 Open the packaging carefully and remove the polystyrene.

Remove and discard the plastic bag.
Keep plastic wrapping away from children.
Be responsible when handling the packing materials.

1.4 Check all parts and accessories are removed before disposing of any packaging.

If necessary keep the original packaging for future transport and/or storage.

1.5 Test the appliance before installation.

2. Fitting the Appliance

2.1 Locating the eReflex

Your new eReflex may be installed virtually anywhere in your home. However, when choosing a location ensure that the general instructions are followed.

The heater should ideally be fitted into/onto an internal flat wall constructed from either studwork and plasterboard block/brick. The fixings provided are for use on brick walls ONLY. Please ensure that suitable fixings are used when securing to any hollow or purpose built cavity.

NOTE: This appliance is not suitable for fitting to a Cavity Wall, backing on to an outside wall, an open chimney or any opening that may be subject to damp and draft, unless adequate precautions are taken to avoid the appliance coming into contact with moisture or excessive drafts. In such installations, any existing chimney and/or purpose provided air vents should be fully sealed.

2.2 For best results, install out of direct sunlight.

2.3 **The appliance should be installed in a purpose built studwork enclosure. Please ensure that suitable fixings are used when securing to any hollow or cavity walls.**

2.4 **Make sure there are no pipes or cables behind the area to be drilled or cut.**

2.5 Always ensure the appliance is adequately supported and sits on a firm structure when mounting above floor level.

2.6 The appliance should ideally be located close to a suitable mains socket to enable connection. An extension could be run from an existing socket outlet but this must be carried out by a suitably qualified electrical engineer.
The electrical socket must be easily accessible to allow disconnection when the appliance is fitted.

2.7 If the power cord is damaged, it must be repaired by the manufacturer, its authorised service centre or professional person.

2.8 Ensure that curtains and furniture are not positioned close to the chosen position, as this would create a potential fire hazard or block the heater outlet ducts.

WARNING! KEEP ALL COMBUSTIBLE MATERIALS AT LEAST 1M FROM THE FRONT OF THE ELECTRIC FIREPLACE.

3. Studwork Installation

THERE ARE INSTRUCTIONS FOR AN INSTALLATION WHERE THE APPLIANCE SITS FLUSH TO THE FINISHED 'EDGE' OF THE WALL.

3.1 Build the studwork chimney breast and enclosures to the desired size.

It is essential to include a header at the required height to ensure the appliance does not support the weight of the finished wall.

It is important to allow for the finished face when setting the depth of the frame.

FR: 1. Général

1.1 OUTILS NÉCESSAIRES

Un tournevis, un niveau et une perceuse.

1.2 DÉBALLAGE DE L'APPAREIL

ATTENTION ! NE PAS utiliser cet appareil si l'un de ses composants a été exposé à l'eau.

Faire appel immédiatement à un technicien de service qualifié pour inspecter et remplacer tout composant du système électrique, le cas échéant.

1.3 Ouvrir l'emballage avec précaution et enlever le polystyrène.

Enlever et disposer du sac en plastique.
Conserver les emballages en plastique hors de la portée des enfants.
Soyez responsable lors de la manutention des matériaux d'emballage.

1.4 Avant de disposer de l'emballage, vérifier qu'il ne contient aucun composant ou accessoire.

Au besoin, conserver l'emballage d'origine pour un transport et/ou entreposage futur.

1.5 Testez l'appareil avant l'utilisation.

2. Installation De L'appareil

2.1 Choix de l'emplacement du eReflex Électrique

Votre nouveau eReflex Électrique peut être installé pratiquement n'importe où chez vous. Toutefois lors du choix de l'emplacement respecter les instructions générales suivantes.

Dans l'idéal, l'appareil de chauffage doit être installé dans/sur un mur plat interne à ossature ou en blocs de plâtre/briques. Les fixations fournies sont RÉSERVÉES aux murs en brique. Veillez à utiliser des fixations adaptées lors de l'installation sur un mur creux ou dans une cavité pratiquée sur mesure. REMARQUE : Cet appareil ne doit pas être installé sur un mur creux, contre un mur extérieur, une cheminée ouverte ou une ouverture pouvant être sujette à l'humidité ou aux courants d'air, à moins d'avoir pris des précautions adéquates pour éviter que l'appareil n'entre en contact avec l'humidité ou des courants d'air excessifs. Dans de telles installations, toute cheminée existante et/ou ventilations fournies spécifiquement doivent être entièrement fermées.

Instructions D'installation/ Installatie-Instructies

- 2.2 Pour les meilleurs résultats possibles, éviter de l'installer directement en plein soleil.
- 2.3 **L'appareil doit être installé dans une enceinte à ossature murale spécialement conçue à cet effet. Veuillez à utiliser des fixations adaptées lors de l'installation sur un mur creux.**
- 2.4 **Assurez-vous qu'il n'y a pas de tuyaux ou de câbles derrière la zone à être percés ou coupés.**
- 2.5 Veuillez toujours à ce que l'appareil soit soutenu de manière adéquate et soit posé sur une structure solide lors du montage au-dessus du sol.
- 2.6 L'appareil doit être installé à proximité d'une prise de courant appropriée pour en permettre le branchement. Une extension peut être exécuté à partir d'une prise de courant existante, mais cela doit être effectuée par un ingénieur électricien qualifié. La prise électrique doit être facile d'accès pour permettre le débranchement une fois l'appareil installé.
- 2.7 Si le câble d'alimentation électrique est endommagé, ne pas utiliser l'appareil jusqu'à ce qu'il ait été remplacé. Pour des questions de sécurité, le remplacement doit être effectué bien par un électricien compétent.
- 2.8 Veiller à ce que les rideaux et les meubles ne sont pas positionnés à proximité de la position choisie, car cela créerait un risque d'incendie ou de bloquer les conduits de sortie de chauffage.

AVERTISSEMENT ! CONSERVER LES MATÉRIAUX COMBUSTIBLES À AU MOINS 1 M DE DISTANCE DU DEVANT ET DES CÔTÉS DE L'APPAREIL ÉLECTRIQUE.

3. Installation dans une ossature

- 3.1 Construisez l'ossature murale du corps de cheminée et de l'enceinte à la taille désirée.

Il est essentiel d'inclure un linteau à la hauteur requise de telle sorte que l'appareil ne supporte pas le poids du mur fini.

Il est important de prendre en compte la finition de la face du mur afin de déterminer la profondeur du cadre.

NL: 1. Algemeen

1.1 BENODIGD GEREEDSCHAP

Er zullen een schroevendraaier, een waterpas en boor nodig zijn.

1.2 DE OPEN HAARD UITPAKKEN

WAARSCHUWING! Dit apparaat NIET gebruiken als er onderdelen aan water blootgesteld zijn geweest.

Bel onmiddellijk een erkende installateur om een inspectie te laten uitvoeren en vervang, indien nodig, onderdelen van het elektrische systeem.

- 1.3 De verpakking zorgvuldig openen en verwijder het polystyreen. Verwijder de plastic zak en gooi deze weg. Houd plastic verpakkingsmateriaal uit de buurt van kinderen. Wees verantwoordelijk bij het hanteren van het verpakkingsmateriaal.

- 1.4 Controleer of alle onderdelen en accessoires verwijderd zijn voordat de verpakking weggegooid wordt. Bewaar de originele verpakking, indien nodig, voor toekomstig transport en/of opslag.

- 1.5 Test het toestel vóór installatie.

2. Het Apparaat Plaatsen

2.1 De eReflex Electric plaatsen

Uw nieuwe eReflex Electric kan bijna overal in uw huis worden geïnstalleerd. Zorg er echter bij het kiezen van een locatie voor dat de standaard instructies worden opgevolgd.

De verhitter dient idealiter te worden aangebracht op een inwendige vlakke muur die is gemaakt van studwerk of gipsplaatblok/-steen. De geleverde bevestigingen mogen ENKEL worden gebruikt op bakstenen muren. Let op dat er geschikte bevestigingen worden gebruikt bij het aanbrengen in holle wanden of wanden met speciaal ingebouwde openingen. OPMERKING: Dit apparaat is niet geschikt om te worden aangebracht op een Spouwmuur, terwijl het leunt op een buitenmuur, op een open schoorsteen of op om het even welke opening die mogelijk staat blootgesteld aan vochtigheid en tocht, tenzij er passende voorzorgsmaatregelen worden genomen om te voorkomen dat het apparaat contact maakt met vocht of een teveel aan tocht. In dergelijke installaties moeten een bestaande schoorsteen en/of speciaal aangelegde luchtafvoerkanalen volledig worden afgedicht.

- 2.2 Voor het beste resultaat niet in direct zonlicht installeren.
- 2.3 **Het toestel moet worden geïnstalleerd in een hiervoor gemaakte gestuukte behuizing. Zorg ervoor dat er geschikte bevestigingen worden gebruikt bij de installatie in holle wanden of wanden met openingen.**
- 2.4 **Zorg ervoor dat er geen leidingen of kabels achter het gebied te boren of te snijden.**
- 2.5 Controleer altijd of het toestel op juiste wijze wordt ondersteund en op een stevige structuur huist wanneer deze boven vloerniveau wordt gemonteerd.
- 2.6 Het apparaat moet dicht bij een geschikt stopcontact geplaatst worden om de aansluiting mogelijk te maken. Een verlenging kan worden uitgevoerd vanaf een bestaand stopcontact, maar dit moet door een gekwalificeerde elektrotechnicus worden uitgevoerd. Het stopcontact moet gemakkelijk toegankelijk zijn om de stekker eruit te kunnen trekken wanneer het apparaat geïnstalleerd is.
- 2.7 Als de voedingskabel beschadigd is, moet deze door de fabrikant, een geautoriseerd service centrum of een vakman gerepareerd worden.
- 2.8 Zorg ervoor dat gordijnen en meubels niet zijn geplaatst in de buurt van de gekozen positie, aangezien dit een potentieel brandgevaar zou maken of blokkeren van de verwarming uitlaat leidingen.

WAARSCHUWING! HOUD ALLE BRANDBARE MATERIELEN MINIMAAL 1 METER UIT DE BUURT VAN DE VOOR- EN ZIJKANTEN VAN DE ELEKTRISCHE HAARD.

3. Installatie van het muurgeraamte

- 3.1 Bouw de gestuukte schoorsteen en behuizingen naar gewenste afmetingen.

Het is essentieel om een montageplaat op de juiste hoogte aan te brengen, om ervoor te zorgen dat het apparaat het gewicht van de afgewerkte wand niet ondersteunt.

Het is belangrijk ruimte te laten voor de voltooide voorkant wanneer de diepte van het frame wordt bepaald.

Istruzioni Di Installazione/ Instruksjoner For Installasjon

IT: 1. Generali

1.1 STRUMENTI NECESSARI

Saranno necessari cacciavite, livella, sega e trapano.

1.2 DISIMBALLAGGIO DEL CAMINETTO

ATTENZIONE! NON usare questo apparecchio se una parte qualsiasi è stata esposta all'acqua.

Chiamare immediatamente un tecnico dell'assistenza qualificato per l'ispezione e la riparazione di qualsiasi parte dell'impianto elettrico, se necessario.

1.3 Aprire attentamente la confezione e rimuovere il polistirolo. Rimuovere e gettare la busta di plastica. Tenere l'involucro di plastica fuori dalla portata dei bambini. Prestare attenzione durante la manipolazione dei materiali di imballaggio.

1.4 Controllare che tutte le parti e gli accessori siano stati rimossi prima di gettare gli imballaggi. Se necessario, conservare la confezione originale per il trasporto e/o lo stoccaggio futuri.

1.5 Testare l'apparecchio prima di procedere all'installazione.

2. Installazione Dell'apparecchio

2.1 Posizionamento di eReflex

Il nuovo eReflex può essere installato praticamente in qualsiasi punto della casa. Tuttavia, nella scelta della posizione, seguire le istruzioni generali.

La collocazione ideale del riscaldatore è in o su una parete piana interna realizzata con asticelle di legno e intonaco o in cartongesso. I fissaggi forniti sono SOLO per pareti in mattoni. Assicurarsi di usare fissaggi adatti quando il montaggio avviene su pareti vuote o costruite appositamente. NOTA: Questo apparecchio non è adatto per pareti a intercapedine, per essere posizionato a ridosso di pareti esterne, camini aperti o altre aperture che potrebbero essere soggetti a umidità e spifferi, salvo il caso in cui vengano prese le giuste precauzioni per evitare che l'apparecchio entri in contatto con umidità o spifferi. Per simili installazioni è necessario sigillare completamente eventuali condotti dell'aria per camini già esistenti o realizzati appositamente.

2.2 Per i migliori risultati, installarlo lontano dalla luce solare diretta.

2.3 **L'apparecchio deve essere installato in una costruzione con asticelle di legno e intonaco creata per lo scopo. Si prega di assicurarsi che vengano usati dei fissaggi adatti quando si fissa in qualsiasi parete vuota o con cavità.**

2.4 **Assicurarsi che non vi siano tubi o cavi dietro la zona da forare o tagliati.**

2.5 Prima dell'installazione assicurarsi che la parete sia costruita in modo adeguato per sostenere il peso dell'apparecchio.

2.6 L'apparecchio deve essere posizionato vicino a una presa elettrica adatta per consentire il collegamento. Un'estensione può essere eseguito da una presa esistente, ma ciò deve essere effettuato da un tecnico elettrico qualificato. La presa elettrica deve essere facilmente accessibile per consentire lo scollegamento una volta montato l'apparecchio.

2.7 Se il cavo di alimentazione è danneggiato, non utilizzare l'apparecchio finché non viene sostituito. Per motivi di sicurezza, la sostituzione deve essere effettuata da un responsabile dell'assistenza elettricista.

2.8 Assicurarsi che tende e mobili non sono posizionati in prossimità della posizione scelta, in quanto ciò creerebbe un potenziale rischio di incendio o ostruire i condotti di scarico del riscaldatore.

ATTENZIONE! TENERE QUALSIASI MATERIALE COMBUSTIBILE AD ALMENO 1 M DI DISTANZA DALLA PARTE ANTERIORE E DAI LATI DEL CAMINETTO ELETTRICO.

3. Installazione con scheletro

3.1 Costruire una bocca del camino e una cornice con asticelle di legno della dimensione desiderata.

È essenziale includere un architrave all'altezza richiesta per assicurarsi che l'apparecchio non sostenga il peso della parete finita.

È importante lasciare spazio per la parte anteriore finita quando si stabilisce la profondità della cornice.

NO: 1. Generell Informasjon

1.1 NØDVENDIG VERKTØY

En skrutrekker, vaterpass, sag og drill trengs.

1.2 UTPAKKING AV DEN ELEKTRISKE PEISEN

ADVARSEL! IKKE bruk denne peisen hvis noen del har vært utsatt for vann.

Kontakt en kvalifisert tekniker umiddelbart for å inspisere og bytte ut aktuelle deler av det elektriske anlegget dersom det er nødvendig.

1.3 Åpne innpakningen forsiktig, og fjern polystyrenet. Ta av plastposen og kast den. Hold plastemballasjen unna barn. Behandle emballasjematerialet på en ansvarlig måte.

1.4 Sjekk at alle deler og alt tilbehør er tatt ut før du kvitter deg med emballasjen. Om nødvendig kan du beholde originalemballasjen for fremtidig transport og/eller lagring.

1.5 Test apparatet før installasjon.

2. Montere Peisen

2.1 Plassering av eReflex

Din nye eReflex kan faktisk installeres hvor som helst i hjemmet ditt. Når du velger plassering, er det imidlertid viktig at generelle instruksjoner følges.

Varmeapparatet bør ideelt sett monteres i/på en intern flat vegg konstruert av enten stuarbeid og gipsplateblokk/murstein. Festelementene som følger med må KUN brukes på murvegger. Vennligst se til at egnede fester brukes ved innfesting i en hul vegg eller spesialbygget hulrom. MERK: Dette apparatet er ikke egnet for montering på hulmur, på baksiden av en yttervegg, åpen skorstein eller åpninger som kan være fuktige eller trekkfulle, med mindre det tas tilstrekkelige forholdsregler for å unngå at apparatet kommer i kontakt med fuktighet eller overdreven trekk. I slike installasjoner bør eventuelle eksisterende skorstein og/eller spesialbygde luftåpninger være helt forseglet.

2.2 For best resultat, installer vekk fra direkte sollys.

Instruksjoner For Installasjon / Instrucciones De Instalación

- 2.3 **Apparatet bør monteres i en tilpasset ramme av reisverk. Vennligst se til at egnede fester brukes ved innfesting i en hul vegg.**
- 2.4 **Pass på at det ikke er noen rør eller ledninger bak området som skal bores eller kuttet.**
- 2.5 Pass alltid på at apparatet er tilstrekkelig underbygget og sitter på en fast struktur ved montering over gulvnivå.
- 2.6 Peisen bør plasseres nært en egnet strømkontakt. En utvidelse kan kjøres fra en eksisterende stikkontakt, men dette må utføres av en kvalifisert elektriker. Strømkontakten skal være lett tilgjengelig slik at strømmen kan kobles fra når peisen er montert.
- 2.7 Hvis strømledningen er skadet, må den repareres av produsenten, dens autorisert servicesenter eller profesjonell person.
- 2.8 Sørg for at gardiner og møbler ikke er plassert nær den valgte posisjon, da dette ville skape en potensiell brannfare eller blokkere varmeapparat utløpskanaler.

ADVARSEL! HOLD ALLE TYPER BRENNBARE MATERIALER MINST 1 M UNNA FRONTEN OG SIDENE PÅ DEN ELEKTRISKE PEISEN.

3. Installasjon I Bindingsverk

- 3.1 Bygg reisverket for peisfremspringet og innfellinger til ønsket størrelse.
- Det er viktig å inkludere en overligger i riktig høyde for å unngå at apparatet ikke bærer vekten av den ferdige veggen.
- Det er viktig å ta høyde for veggkledning når dybden for rammen bestemmes.

ES: 1. Generalidades

1.1 HERRAMIENTAS REQUERIDAS

Necesitará un destornillador, un nivel, una sierra y un taladro.

1.2 DESEMBALADO DE LA ESTUFA

¡AVISO! NO utilice este aparato si cualquiera de sus piezas ha estado sumergida bajo el agua.

Si fuera necesario, llame inmediatamente a un técnico de servicio cualificado para inspeccionar y sustituir cualquier pieza del sistema eléctrico.

1.3 Abra con cuidado el embalaje y saque el poliestireno.

Extraiga y deseche la bolsa de plástico. Mantenga siempre las bolsas de plástico alejadas de los niños. Sea responsable a la hora de manejar los materiales de embalaje.

1.4 Compruebe que haya sacado todas las piezas y accesorios antes de deshacerse de cualquier embalaje.

En caso necesario, conserve el embalaje original para un futuro almacenamiento o transporte de la unidad.

1.5 Pon a prueba el aparato antes de la instalación.

2. Instalación Del Aparato

2.1 Emplazamiento de la eReflex.

Su nueva eReflex puede ser emplazada prácticamente en cualquier lugar de la casa. Sin embargo, al escoger su ubicación, asegúrese de seguir estas instrucciones generales:

La calefacción conviene instalarla en una pared interna de un piso de ladrillo y escayola. Las fijaciones que se incluyen SOLO pueden utilizarse en paredes de ladrillo. Asegúrese de usar las fijaciones adecuadas cuando se instale en paredes huecas o en un hueco empotrado.

NOTA: Este electrodoméstico no debe instalarse en paredes huecas o en paredes que den al exterior, a una chimenea abierta o a cualquier espacio abierto que pueda provocar humedades o corrientes de aire, salvo que se tomen las precauciones adecuadas para evitar que el aparato entre en contacto con las humedades o con corrientes excesivas. En esas instalaciones será necesario sellar completamente la chimenea o las ventilaciones de aire existentes.

- 2.2 Para un mejor resultado, instálela fuera de la luz solar directa.
- 2.3 **El aparato se debe instalar en un alojamiento fabricado al efecto. Asegúrese de usar las fijaciones adecuadas cuando se instale en paredes huecas o en un hueco empotrado.**
- 2.4 **Asegúrese de que no hay tuberías o cables detrás de la zona a perforados o cortados.**
- 2.5 **Asegúrese siempre de que el aparato se apoya de manera adecuada y se sienta en una estructura firme cuando se monta sobre el nivel del suelo.**
- 2.6 El aparato debe emplazarse próximo a un enchufe eléctrico apropiado para permitir su conexión. Una extensión se puede ejecutar desde una toma de corriente existente, pero esto debe ser realizado por un ingeniero eléctrico cualificado. Tal enchufe será de fácil acceso de manera que sea posible desconectar el aparato mientras se instala.
- 2.7 Si el cable de la tensión eléctrica se encontrara dañado, deberá ser reparado por el fabricante, su centro autorizado o un profesional.
- 2.8 Asegúrese de que las cortinas y los muebles no se colocan cerca de la posición elegida, ya que esto crearía un riesgo potencial de incendio o bloquear los conductos de salida del calentador.

¡AVISO! MANTENGA CUALQUIER MATERIAL COMBUSTIBLE A UNA DISTANCIA MÍNIMA DE UN METRO DEL FRONTAL Y LOS LATERALES DEL APARATO.

3. Estructura De Instalación

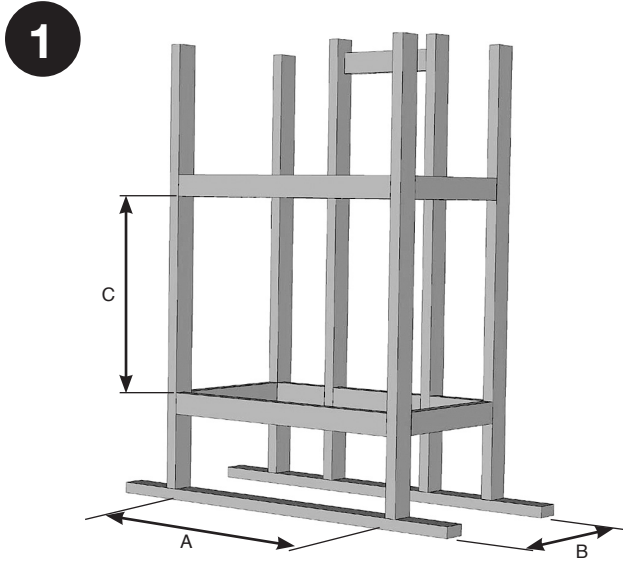
HAY INSTRUCCIONES DE INSTALACIÓN APLICABLES AL MONTAJE DE LA ESTUFA RADIANCE A RAS CON EL BORDE ACABADO DE LA PARED.

- 3.1 Fabrique el cabecero de la chimenea y los alojamientos con el tamaño deseado.

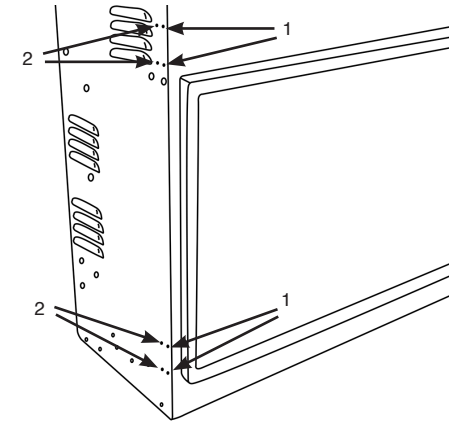
Es esencial incluir un cuerpo de chimenea a la altura necesaria para que el aparato no soporte el peso de la pared acabada.

Es importante que la superficie esté acabada al ajustar la profundidad del marco.

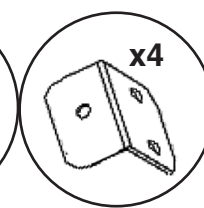
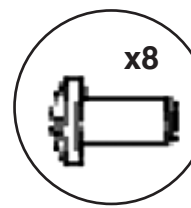
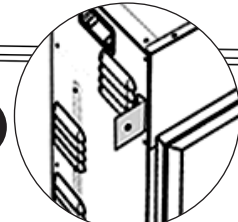
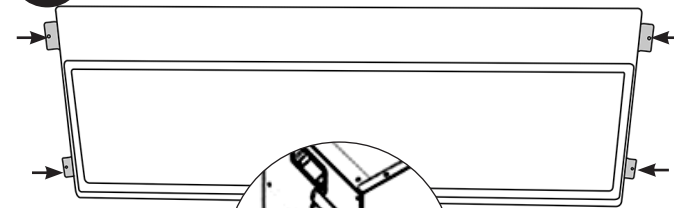
Studwork Installation/ Installation dans une ossature/ Installatie van het muurgeraamte / Installazione con scheletro/
Installasjon i Bindingsverk/ Estructura De Instalación



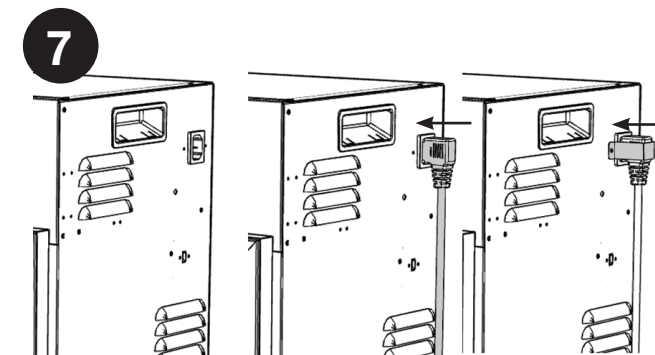
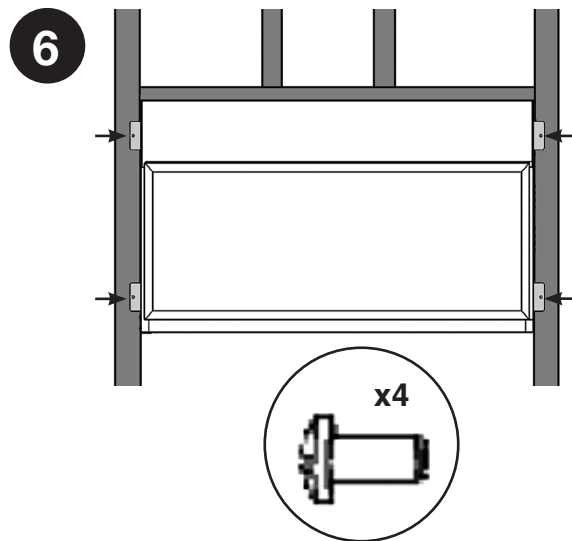
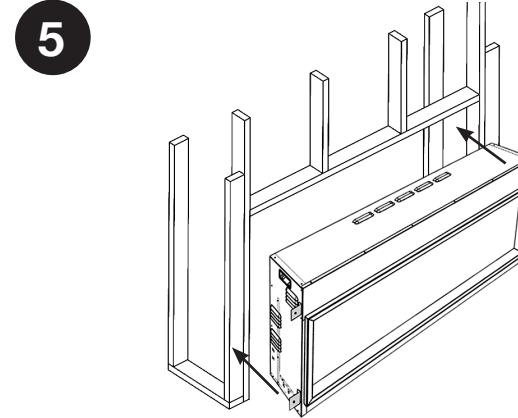
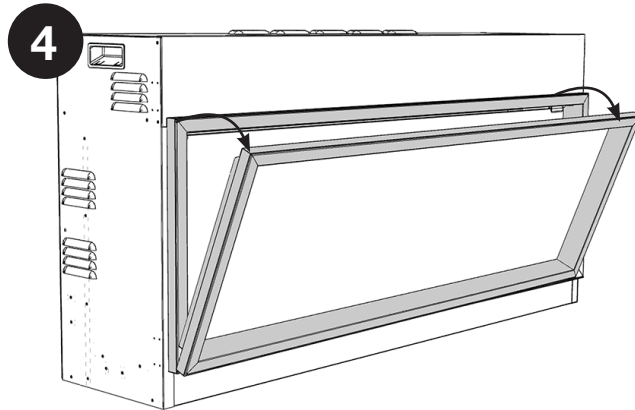
- EN:** 2 sets of holes have been provided depending on the thickness of the plasterboard to be used for the desired finish.
- FR:** 2 jeux de trous sont fournis selon l'épaisseur de la plaque de plâtre à utiliser pour la finition souhaitée.
- NL:** Er bevinden zich gaten op 2 niveaus waaruit u kunt kiezen, dit is afhankelijk van de dikte van het materiaal waaraan de haard wordt gemonteerd.
- IT:** Sono stati forniti 2 set di fori a seconda dello spessore del cartongesso da utilizzare per la finitura desiderata.
- NO:** 2 sett med hull har blitt gitt avhengig av tykkelsen på gipsplaten for å brukes til ønsket finish.
- ES:** La unidad cuenta con 2 conjuntos de orificios, según el espesor de la placa de yeso que se utilice para el acabado.



Model	A	B	C
eReflex 55R	645	325	785
eReflex 75R	845	325	985
eReflex 85R	945	295	565
eReflex 105R	1145	295	565
eReflex 135R	1445	295	565
eReflex 195R	2045	295	565

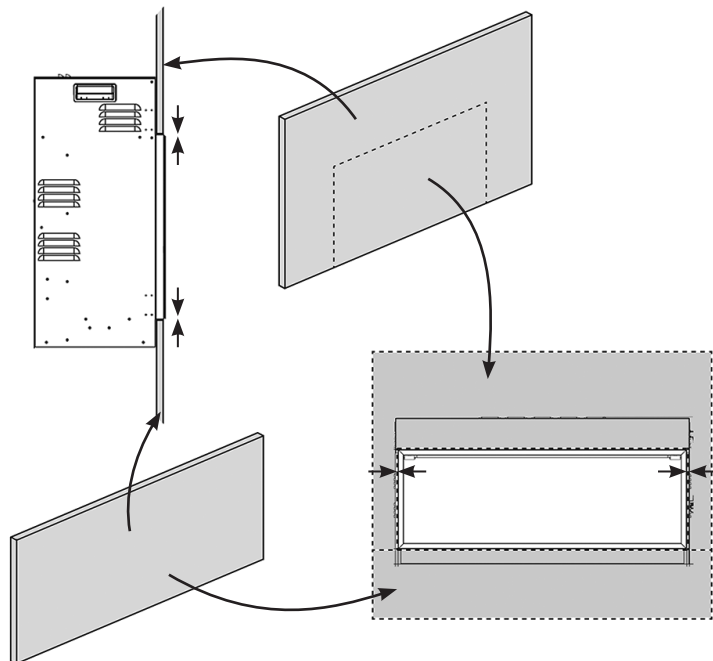


Studwork Installation/ Installation dans une ossature/ Installatie van het muurgeraamte / Installazione con scheletro/
Installasjon i Bindingsverk/ Estructura De Instalación



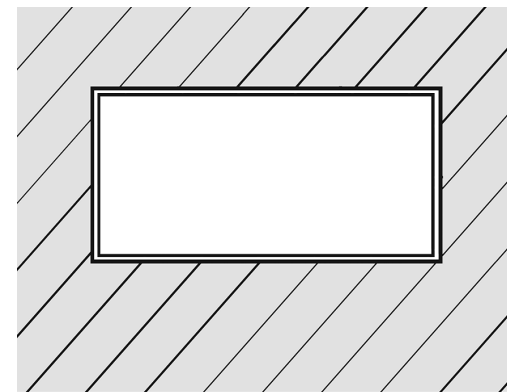
Studwork Installation/ Installation dans une ossature/ Installatie van het muurgeraamte / Installazione con scheletro/
Installasjon I Bindingsverk/ Estructura De Instalación

- EN:** There is a return surrounding the decorative trim attached to the front of the appliance. This allows suitable boarding to be taken up to the edge and finished off with an even 5mm gap around of the decorative trim.
- FR:** Il y a un rebord entourant la garniture décorative attachée à l'avant de l'appareil. Celui-ci permet l'installation de plaques jusqu'au bord et la finition du mur avec un espace homogène de 5 mm autour de la garniture décorative.
- NL:** Er zit een teruggang rond de decoratieve bekleding, die bevestigd is aan de voorzijde van het apparaat. Dit geeft ruimte voor passend plaatsen tot aan de rand en eindigt zelfs met een 5mm gat rondom de decoratieve bekleding.
- IT:** C'è un ritorno che circonda la parte decorativa attaccata sul fronte dell'apparecchio. Ciò permette di mettere un tavolato adeguato fino al bordo e completarlo con un intervallo omogeneo di 5mm sulla parte decorativa.
- NO:** Det er en returkant rundt den dekorative rammen som festes på fronten av apparatet. Dette gjør at kledning kan føres opp til kanten og avsluttes med et jevnt gap på 5 mm rundt den dekorative rammen.
- ES:** Hay una terminación que rodea el bisel decorativo fija a la parte delantera del aparato. De esta forma, el relleno puede alcanzar el borde y acabarse con un espacio de 5 mm alrededor del bisel decorativo.

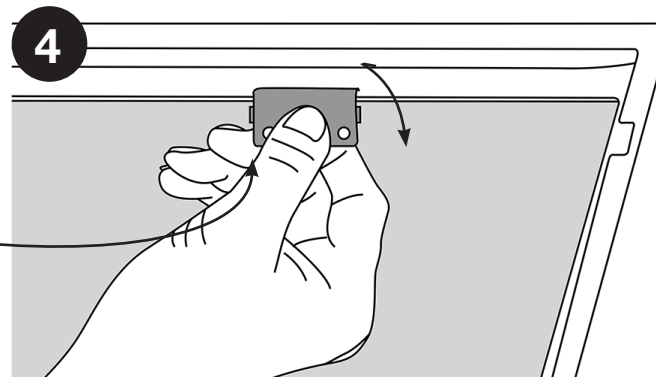
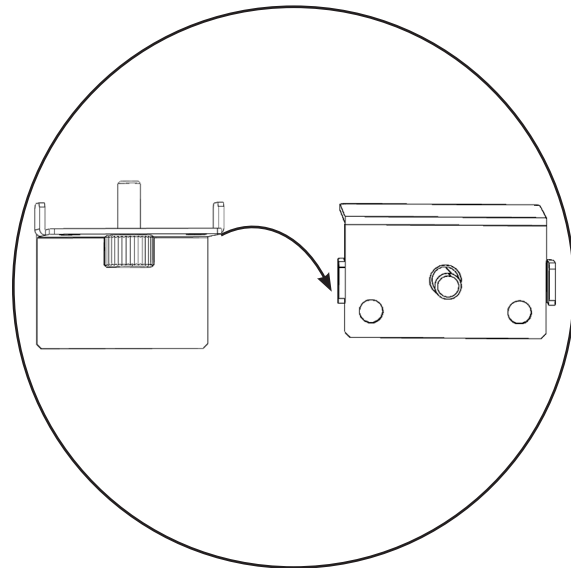
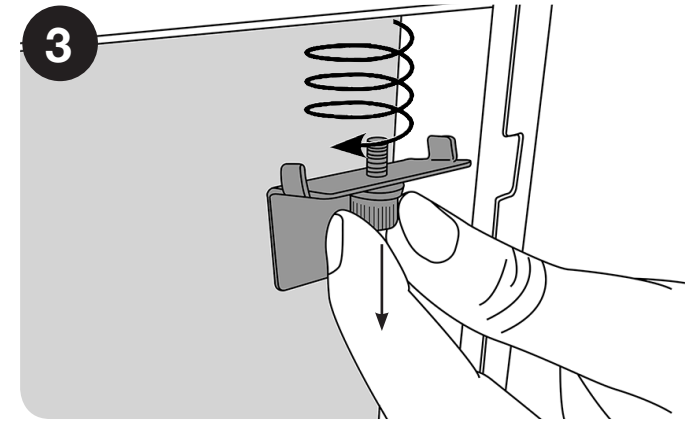
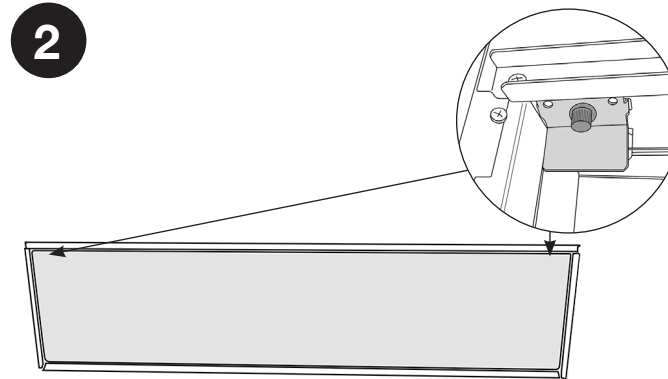
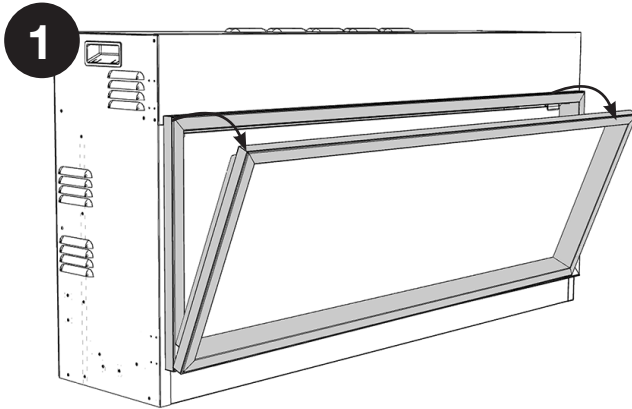


- EN:** **Combustible or non-combustible building materials** may be used to finish up to the fireplace opening.
DO NOT PACK THE VOID AROUND OR ABOVE THE APPLIANCE WITH INSULATION MATERIALS SUCH AS MINERAL WOOL.
- FR:** Il est possible d'utiliser des matériaux de construction combustibles ou non-combustibles en guise de finition du mur, jusqu'à l'ouverture de la cheminée.
NE PAS REMPLIR LE VIDE AUTOUR OU AU-DESSUS DE L'APPAREIL AVEC DES MATÉRIAUX ISOLANTS TELS QUE DE LA LAINE DE ROCHE.
- NL:** Er mogen brandbare of niet-brandbare materialen worden gebruikt om bij de haardopening uit te komen.
DE RUIMTE ROND OF BOVEN HET APPARAAT NIET MET ISOLATIEMATERIAAL, ZOALS STEENWOL, VULLEN.
- IT:** **Materiali da costruzione combustibili o non combustibili possono essere** usati per rifinire l'apertura del focolare.
NON RIEMPIRE LO SPAZIO INTORNO O SOPRA L'APPARECCHIO CON MATERIALI ISOLANTI COME LANA DI ROCCIA.
- NO:** Brennbare eller ikke-brennbare byggematerialer kan brukes til å fullføre åpningen rundt ildstedet.
IKKE FYLL HULROMMENE RUNDT ELLER OVER APPARATET MED ISOLASJONSMATERIALER SOM MINERALULL.
- ES:** **Los materiales de construcción combustibles o no combustibles** se deben usar para tapar el hueco de la chimenea.
NO LLENE LOS ESPACIOS ALREDEDOR NI POR ENCIMA DEL APARATO CON MATERIALES AISLANTES COMO LANA MINERAL.

- EN:** Finish the chimney breast as desired.
FR: Finissez le corps de cheminée comme souhaité.
NL: Maak de schoorsteen af zoals gewenst.
IT: Rifinire la bocca del camino come si desidera.
NO: Fullfør peisfremspringet som ønsket.
ES: Termine el cabecero de la chimenea según desee.

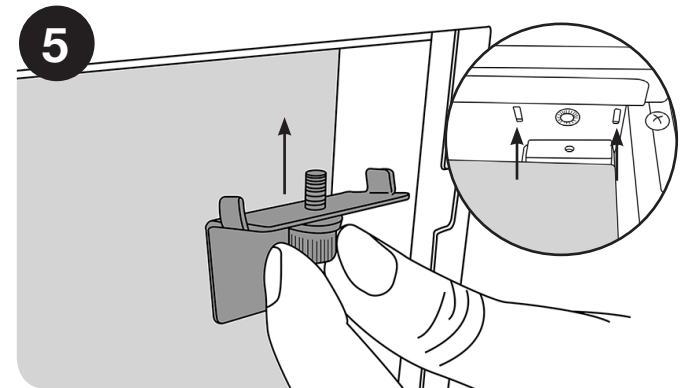


Removing the Exterior Glass/ Retrait de la vitre extérieure/ Het buitenste glas verwijderen/ Rimozione del vetro esterno/
Fjerne det utvendige glasset/ Desmontaje del vidrio exterior



EN: Replacing
FR: Remplacer
NL: Vervangen

IT: Sostituzione
NO: Erstatte
ES: Reemplazando



Fuel Effect/ Effet combustible/ Brandstofeffect/ Effetto combustibile/ Brenseffekt/ Efecto de combustible

EN: The appliance is supplied with 2 fuel effect options:
1. Log Effect 2. Crystal Ice Glass Effect

NL: Het toestel is uitgerust met 2 brandstofeffect-opties:
1. Houtblokken-effect 2. Glazen ijskristallen-effect

NO: Apparatet leveres med 2 alternativer for brenseffekt:
1. Vedkubbe-effekt 2. Krystallglass-effekt

FR: L'appareil est fourni avec 2 options d'effet de combustible:
1. Effet bûches 2. Vitre effet cristaux de glace

IT: L'apparecchio è fornito con 2 opzioni di effetto combustibile:
1. Effetto legna 2. Effetto cristallo di ghiaccio

ES: La unidad cuenta con 2 opciones de efecto de combustible:
1. Efecto de troncos 2. Efecto de cristales de hielo

Log Effect/ Effet bûches/ Houtblokken-effect/ Effetto legna/ Vedkubbe-effekt/ Efecto de troncos

EN: 1. Evenly spread the clear pebble effect across the fuel bed.
2. Randomly space the grey pebble effect throughout the fuel bed.

NL: 1. Verspreid gelijkmatig het heldere kiezelstenen-effect over het brandstofbed.
2. Verdeel willekeurig het kiezelstenen-effect over het brandstofbed.

NO: 1. Spre de gjennomsiktige stein-effektene jevnt utover brennkammeret.
2. Plasser de grå steineffektene tilfeldig utover brennkammeret.

NOTE: It is not necessary to use all of the pebble effect supplied.

MERK: Det er ikke nødvendig å bruke alle stein-effektene som medfølger.

FR: 1. Répartissez de manière égale les effets galets transparents sur le lit de combustible.
2. Répartissez les effets galets gris de façon aléatoire sur l'ensemble du lit de combustible.

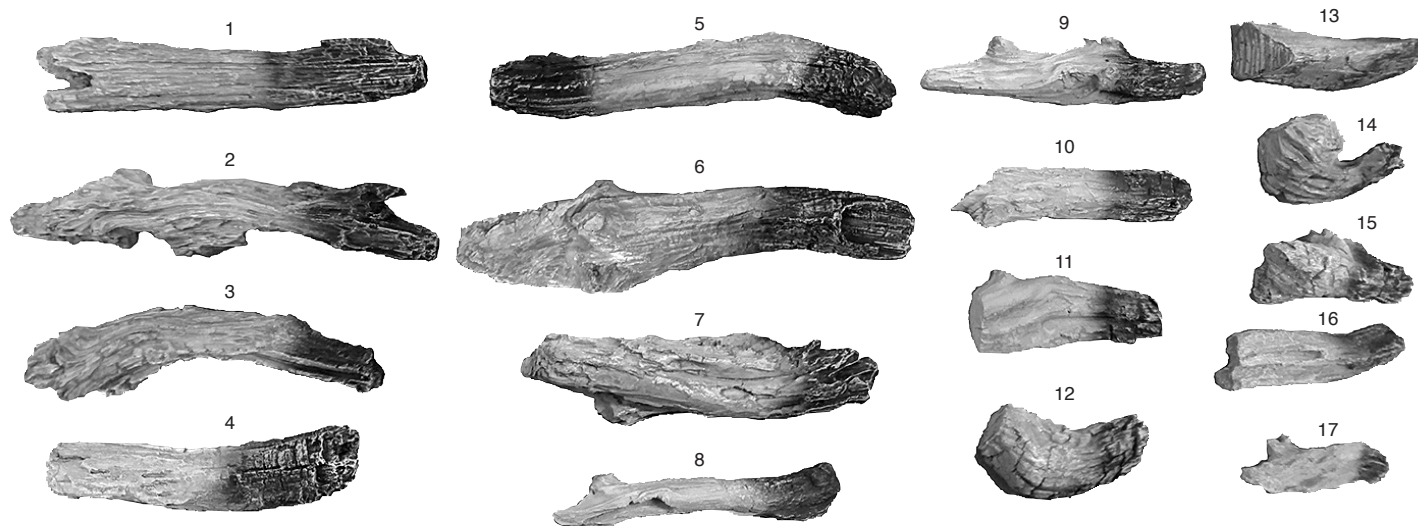
OPMERKING: Het is niet nodig om al het meegeleverde kiezelstenen-effect te gebruiken.

ES: 1. Distribuya el efecto de los guijarros transparentes de manera uniforme por todo el lecho.
2. Separe el efecto de los guijarros grises de forma aleatoria por todo el lecho.

REMARQUE: Il n'est pas nécessaire d'utiliser tout l'effet galets fourni.

IT: 1. Distribuire uniformemente l'effetto ciottoli chiari su tutto il crogiolo di combustione.
2. Distribuire in modo casuale l'effetto di ciottoli grigi in tutto il crogiolo di combustione.

NOTA: No es necesario usar todos los efectos de guijarros suministrados.



	55R	75R	85R	105R	135R	195R
1						✓
2			✓	✓	✓	✓
3						✓
4						✓
5					✓	✓
6	✓	✓	✓	✓	✓	✓
7	✓	✓	✓	✓	✓	✓
8		✓	✓	✓	✓	✓
9	✓	✓		✓	✓	✓
10	✓	✓		✓	✓	✓
11						✓
12					✓	✓
13	✓	✓	✓	✓	✓	✓
14			✓	✓	✓	✓
15						✓
16					✓	✓
17			✓	✓	✓	✓

55R/ 75R

EN: The logs are positioned in groups. Working from left to right, place the logs onto the stone fuel effect following the layout.

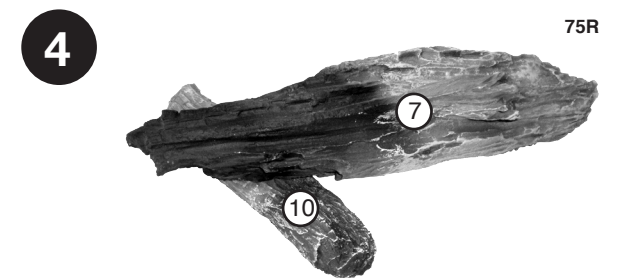
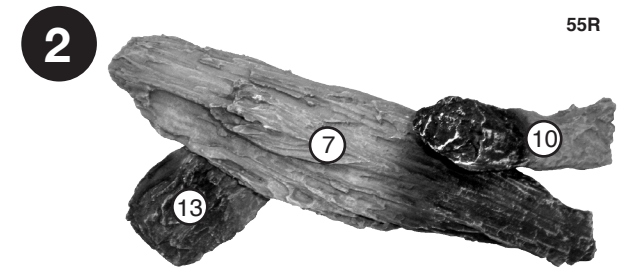
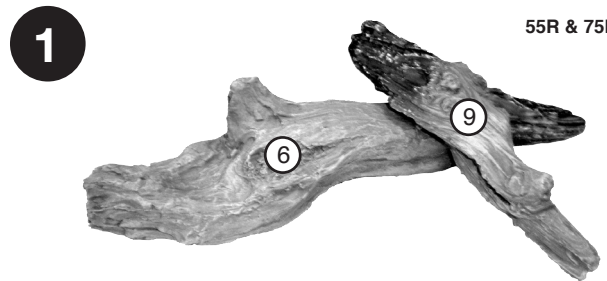
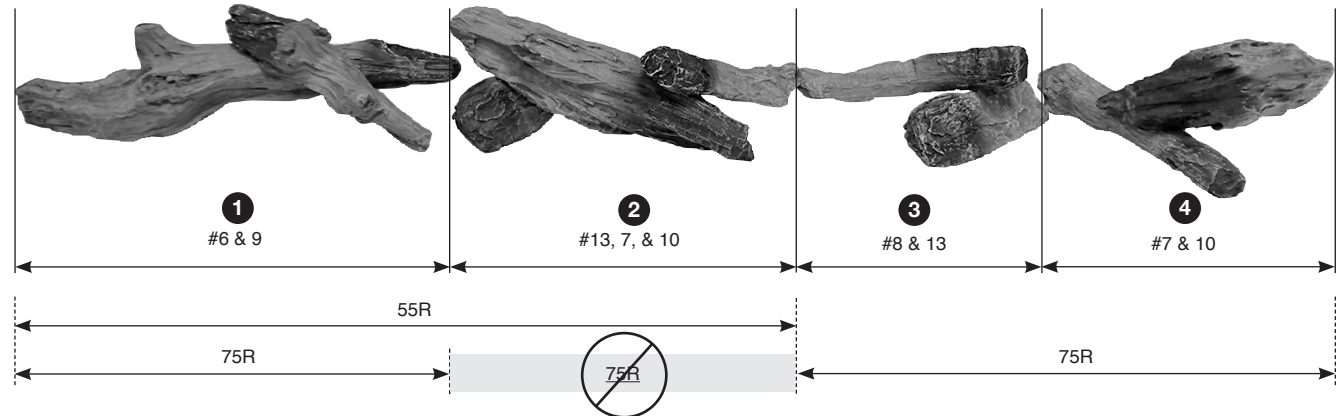
FR: Les bûches sont placées par paires. En allant de gauche à droite, placez les bûches sur l'effet combustible pierre en suivant les agencement.

NL: De houtblokken zijn geplaatst in paren. Werk van links naar rechts en plaats de houtblokken op het stenen brandstofeffect door de schema te volgen.

IT: I ceppi sono posizionati a coppie. Lavorando da sinistra a destra, posizionare i ceppi sull'effetto combustibile di pietra attenendosi agli schema.

NO: Vedkubbene er plassert i par. Ved å arbeide fra venstre mot høyre, plasser vedkubbene på stein-brenseeffekten ved å følge planløsningen.

ES: Los troncos se ubican en grupos. Comenzando por la izquierda, coloque los troncos en el efecto de combustible con piedras siguiendo la disposición.



85R/ 105R/ 135R/ 195R

EN: The logs are positioned in groups. Working from left to right, place the logs onto the stone fuel effect following the layout.

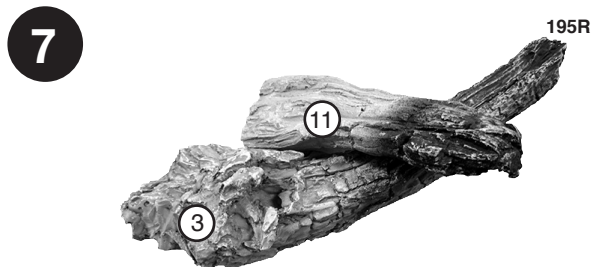
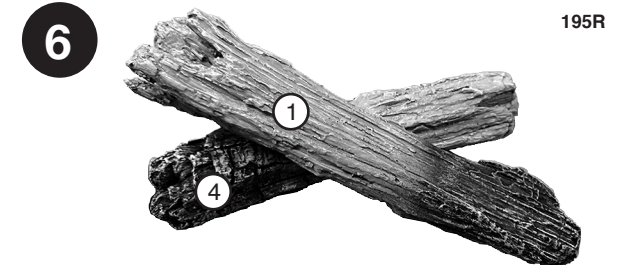
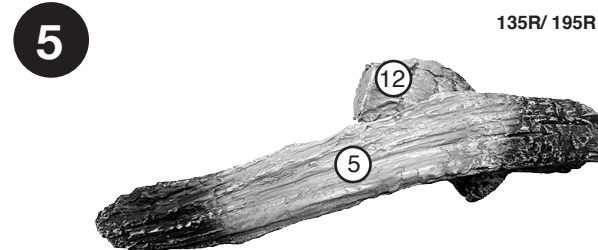
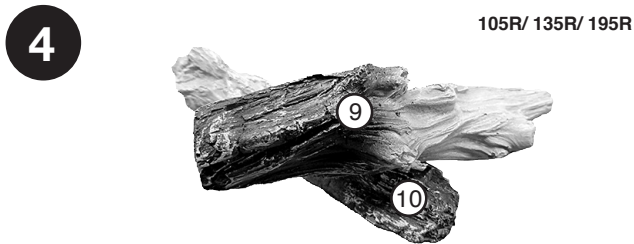
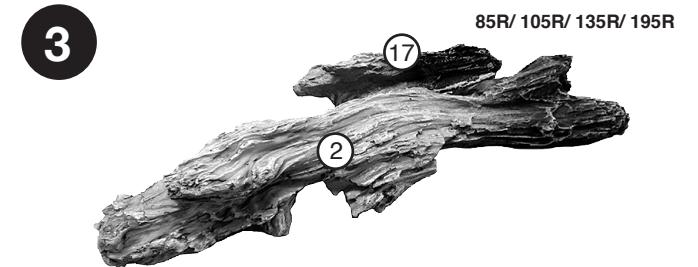
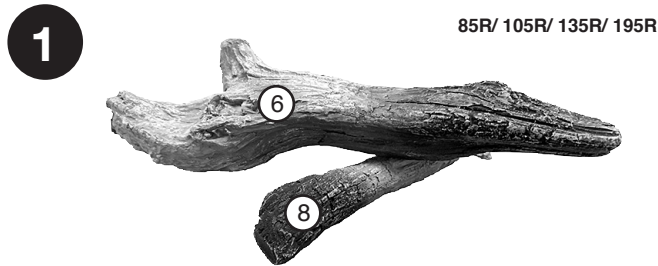
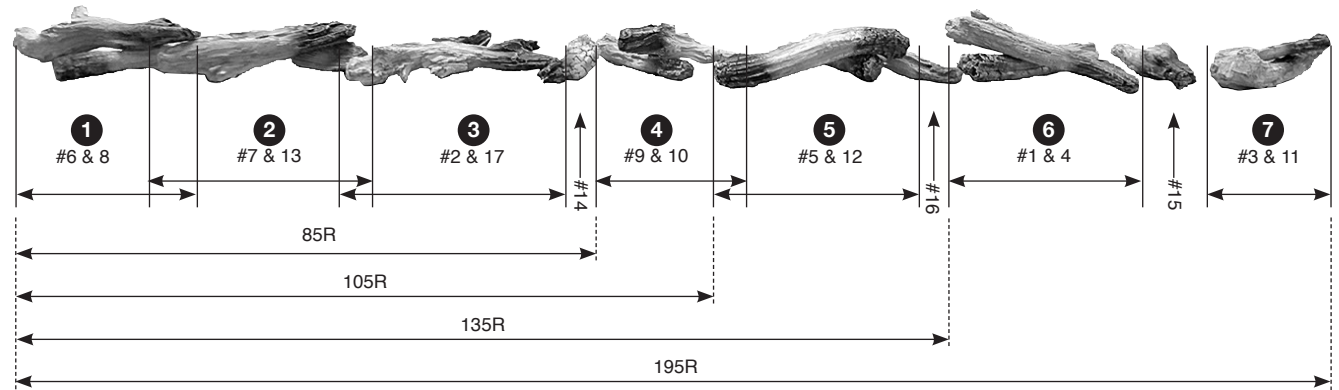
FR: Les bûches sont placées par paires. En allant de gauche à droite, placez les bûches sur l'effet combustible pierre en suivant les agencement.

NL: De houtblokken zijn geplaatst in paren. Werk van links naar rechts en plaats de houtblokken op het stenen brandstofeffect door de schema te volgen.

IT: I ceppi sono posizionati a coppie. Lavorando da sinistra a destra, posizionare i ceppi sull'effetto combustibile di pietra attenendosi agli schema.

NO: Vedkubbene er plassert i par. Ved å arbeide fra venstre mot høyre, plasser vedkubbene på stein-brenseeffekten ved å følge planløsningen.

ES: Los troncos se ubican en grupos. Comenzando por la izquierda, coloque los troncos en el efecto de combustible con piedras siguiendo la disposición.



Crystal Ice Glass Effect/ Vitre effet cristaux de glace/ Glazen ijskristallen-effect/ Effetto cristallo di ghiaccio/ Krystallglass-effekt/ Efecto de cristales de hielo

55R/ 75R/ 85R/ 105R/ 135R/ 195R

EN

Evenly spread the small glass-effect crystals across the fuel bed.

It is not necessary to use all of the effect supplied.

Randomly space the large glass-effect crystals throughout the fuel bed.

FR

Répartissez de manière égale les petits cristaux effet verre sur le lit de combustible.

Il n'est pas nécessaire d'utiliser tout l'effet fourni.

Placez les gros cristaux effet verre n'importe où sur le lit de combustible.

NL

Verspreid de kleine glas-effect kristallen gelijkmatig over het brandstofbed.

Het is niet nodig om al het meegeleverde effect te gebruiken.

Verdeel de grote glas-effect kristallen willekeurig over het brandstofbed.

IT

Distribuire uniformemente l'effetto piccoli cristalli su tutto il crogiolo di combustione.

Non è necessario utilizzare tutti gli effetti forniti.

Distribuire in modo casuale l'effetto grandi cristalli su tutto il crogiolo di combustione.

NO

Spre de små glasseffekt-krystallene jevnt utover brennkammeret.

Det er ikke nødvendig å bruke alle effektene som medfølger.

Plasser tilfeldig de store glasseffekt-krystallene over brennkammeret.

ES

Distribuya el efecto de pequeños cristales de manera uniforme por todo el lecho.

No es necesario usar todo el efecto incluido.

Distribuya el efecto de cristales grandes de manera uniforme por todo el lecho.



EN: If desired the Crystal Ice Glass Effect can be placed in between the log layout.

FR: Si vous le souhaitez, vous pouvez placer l'effet verre cristaux de glace entre l'agencement bûche.

NL: Indien gewenst kan het glazen ijskristallen-effect worden geplaatst tussen de houtblokkenopzet.

IT: Se lo si desidera, è possibile posizionare l'effetto cristalli di ghiaccio tra i ceppi disposti.

NO: Dersom det er ønskelig, kan krystallglass-effektene plasseres mellom vedkubbenes planløsning.

ES: Si lo desea, puede colocar el efecto de cristales de hielo entre los troncos.

1. Servicing Requirements/ Instructions D'entretien/ Onderhoud



DURING SERVICING OF THIS APPLIANCE IT MAY BE NECESSARY TO CUT CABLE TIES IN ORDER TO ACCESS AND REMOVE SOME OF THE PARTS. THESE MUST BE REPLACED WHEN REASSEMBLING THE APPLIANCE.

THIS APPLIANCE MUST ONLY BE SERVICED BY A SUITABLY QUALIFIED PERSON. BEFORE UNDERTAKING ANY WORK ON THE APPLIANCE: SWITCH OFF THE APPLIANCE AND ISOLATE THE POWER SUPPLY ENSURING THERE IS NO POWER TO THE APPLIANCE.

- 1.1 Wait for at least 10 minutes until the appliance has cooled down.
- 1.2 **Remote Handset Battery Replacement**
Replace with 2 AAA batteries. Make sure the batteries are installed correctly in the remote control.



NOTE: The remote control has a Battery Status indicator (top right corner), after an extended period of displaying empty the LED screen will cease to function despite the handset still being able to send commands. Replace the batteries to restore display.

- 1.3 **Maintenance of Motors**
The motor used on the flame effect is pre-lubricated for extended bearing life and requires no further lubrication. However, periodic cleaning/vacuuming of the heater unit is recommended.
- 1.4 **Resetting the Thermal Cutout Switch**
The appliance is fitted with an Electronic Safety Control (E.S.). This is a safety device which switches off the fire if, the appliance overheats for any reason e.g. when covered.

If the heater stops operating whilst the flame effect continues normally, this indicates that the E.S. Control is in operation. The E.S. Control can only be re-set after the appliance has cooled down.
To re-set the E.S.:
Switch off the appliance (Manual On/Off switch) and leave for approximately 120 minutes.
Remove any obstruction to the fan heater outlet or other internal parts.
Switch on appliance and the E.S. Control will re-set. Ensure that the appliance is functioning correctly. If the E.S. Control operates again, the appliance should be checked by a competent Electrician.



PENDANT ENTRETIEN DE L'APPAREIL, IL PEUT ÊTRE NECESSAIRE DE COUPER LES LIENS DE CÂBLE POUR ACCÈS ET À LEVER CERTAINES DES PARTIES. IL FAUT LES REMPLACER LORS DU REMONTAGE L'APPAREIL.

LA MAINTENANCE DE CET APPAREIL NE DOIT ÊTRE EFFECTUÉE QUE PAR UNE PERSONNE QUALIFIÉE. AVANT D'EFFECTUER DES TRAVAUX SUR L'APPAREIL: ARRÊTER L'APPAREIL ET ISOLER L'ALIMENTATION ÉLECTRIQUE EN VÉRIFIANT QUE L'APPAREIL N'EST PLUS ALIMENTÉ.

- 1.1 Attendre au moins 10 minutes jusqu'à ce que l'appareil soit froid.
- 1.2 **Remplacement de la pile électrique de la télécommande**
La remplacer avec 2 x pile électrique de type AAA. Vérifier que la pile est installée correctement dans la télécommande.



REMARQUE : la télécommande comporte un témoin de piles (coin supérieur droit) ; après un affichage prolongé de l'état vide, l'écran LED cessera de fonctionner même si la télécommande peut encore envoyer des commandes. Remplacer les piles pour rétablir l'affichage.

- 1.3 **Maintenance des moteurs**
Les moteurs du ventilateur et de l'effet flamme sont prégraissés pour prolonger la durée de vie des roulements et ne nécessitent aucun graissage supplémentaire. Toutefois, il est recommandé de nettoyer à l'aide d'un aspirateur périodiquement l'unité ventilateur/ chauffage.
- 1.4 **Réenclenchement du disjoncteur thermique**
L'appareil est équipé d'un dispositif de sécurité électronique. C'est un dispositif de sécurité qui éteint l'appareil en cas de surchauffe de celui-ci, par ex. lorsqu'il est recouvert.

Si le chauffage s'arrête alors que l'effet flamme continu normalement, cela indique que le dispositif de sécurité est en cours de fonctionnement.
Le dispositif de sécurité ne peut être réenclenché que lorsque l'appareil est froid.
Réenclenchement du dispositif de sécurité :
Éteindre l'appareil (interrupteur manuel On/Off) et le laisser refroidir pendant 120 minutes.
Dégager toute obstruction de la sortie du ventilateur de chauffage ou de toutes autres parties internes.
Allumer l'appareil et le dispositif de sécurité se réenclenchera.
Vérifier que l'appareil fonctionne correctement. Si le dispositif de contrôle se déclenche de nouveau, l'appareil doit être vérifié par un électricien compétent.



TIJDENS ONDERHOUD VAN DIT APPARAAT KAN HET NODIG ZIJN OM DE KABELBINDERS LOS TE SNIJDEN OM TOEGANG TE VERKRIJGEN TOT DELEN OF OM DEZE TE VERWIJDEREN. DEZE MOETEN WORDEN TERUGGEPLAATST BIJ HET OPNIEUW AANBRENGEN VAN HET APPARAAT.

DIT APPARAAT MAG UITSLUITEND ONDERHOUDEN WORDEN DOOR EEN VOLDOENDE GEKWALIFICEERDE PERSOON. ALVORENS IETS TE DOEN AAN HET TOESTEL: SCHAKEL HET TOESTEL UIT EN ISOLEER DE STROOMTOEVOER. CONTROLEER DAT HET TOESTEL NIET ONDER STROOM STAAT.

- 1.1 Wacht minstens 10 minuten totdat het apparaat is afgekoeld.
- 1.2 **Batterijen Afstandsbediening Vervangen**
Met een AAA-batterij vervangen. Zorg ervoor dat de batterij op de juiste wijze in de afstandsbediening is geplaatst.



OPMERKING: De afstandsbediening heeft een batterijstatusindicator (rechtsboven in de hoek), na een lange periode van lege weergave zal het LED-scherm niet meer werken, ondanks dat de handset nog steeds opdrachten kan verzenden. Vervang de batterijen om het display te herstellen.

- 1.3 **Onderhoud van Motoren**
De motoren die voor de ventilator en het vlammeffect gebruikt worden zijn vooraf gesmeerd voor een langere levensduur van de lagers en hebben geen verdere smering nodig. Het wordt echter aanbevolen de ventilator/verwarmingsunit regelmatig te reinigen/ stof weg te zuigen.
- 1.4 **De thermische beveiligingsschakelaar resetten**
Het toestel is uitgerust met een Electronic Safety Control (E.S.). Dit is een veiligheidsvoorziening die de haard uitschakelt als het apparaat, om welke reden dan ook, oververhit raakt, bijvoorbeeld wanneer hij afgedekt is.

Als de haard niet meer functioneert, maar het vlammeffect blijft gewoon doorgaan, geeft dit aan dat de ES Control functioneert. De E.S. Control kan alleen opnieuw worden ingesteld nadat het apparaat is afgekoeld.
Opnieuw instellen van de ES:
Schakel het apparaat uit (Handmatige aan/uit-schakelaar) en laat het gedurende 120 minuten afkoelen.
Verwijder eventuele verstoppingen uit de uitlaat van de ventilatorkachel of andere interne onderdelen.
Zet het apparaat opnieuw aan en de E.S. Control zal opnieuw ingesteld worden. Zorg ervoor dat het apparaat op de juiste wijze functioneert. Als de E.S. Control opnieuw functioneert, moet het apparaat door een vakbekwame electricien worden gecontroleerd.

1. Requisiti Di Riparazione/ Servicekrav/ Mantenimiento



DURANTE LA RIPARAZIONE DI QUESTO APPARECCHIO POTREBBE ESSERE NECESSARIO TAGLIARE LE FASCETTE DEI CAVI PER RAGGIUNGERE E TOGLIERE ALCUNE PARTI. QUESTE DEVONO ESSERE RIMESSE AL LORO POSTO QUANDO DI RIMONTA L'APPARECCHIO.

QUESTO APPARECCHIO DEVE ESSERE RIPARATO SOLO DA PERSONALE QUALIFICATO.

PRIMA DI MANEGGIARE L'APPARECCHIO: SPEGNERE L'APPARECCHIO, ISOLARE L'ALIMENTAZIONE E ASSICURARSI CHE L'APPARECCHIO NON SIA ALIMENTATO DALLA CORRENTE.

- 1.1 Attendere almeno 10 minuti, in modo da far raffreddare l'unità.
- 1.2 **Sostituzione delle pile del telecomando**
Sostituire con 2 x pila AAA. Assicurarsi che la pila sia correttamente installata nel telecomando.



NOTA: il telecomando è dotato di indicatore di stato della batteria (angolo in alto a destra), dopo un periodo di inattività, lo schermo LED smetterà di funzionare anche se il telecomando resterà in grado di inviare comandi Sostituire le batterie per ripristinare il display.

- 1.3 **Manutenzione dei motori**
I motori utilizzati nella ventola e nell'effetto fiamma sono già lubrificati per aumentare la durata dei cuscinetti e non richiedono ulteriore lubrificazione. Tuttavia, si consiglia una pulizia/ aspirazione periodica della ventola/riscaldatore.
- 1.4 **Reimpostazione dell'interruttore termico di sicurezza**
L'apparecchio è dotato di un controllo elettronico di sicurezza (E.S.), un dispositivo di sicurezza che spegne il caminetto se si surriscalda per qualsiasi motivo, ad esempio se viene coperto.

Se il riscaldatore smette di funzionare e l'effetto fiamma continua a funzionare, significa che il controllo E.S. si è attivato. Il controllo E.S. può essere reimpostato solo dopo che l'apparecchio si è raffreddato.
Per reimpostare il controllo E.S.:
Spegnerne l'apparecchio (interruttore manuale On/Off) e lasciarlo raffreddare per circa 120 minuti.
Rimuovere eventuali ostruzioni dall'uscita del riscaldatore a ventola o da altre parte interne.
Accendere l'apparecchio e il controllo E.S. si reimposterà. Assicurarsi che l'apparecchio funzioni correttamente. Se il controllo E.S. si riattiva, far controllare l'apparecchio da un elettricista qualificato.



UNDER VEDLIKEHOLD AV DETTE APPARATET KAN DET VÆRE NØDVENDIG Å KUTTE BUNTEBÅND FOR Å KOMME TIL OG FJERNE NOEN DELER. DISSE MÅ ERSTATTES NÅR APPARATET SETTES SAMMEN IGJEN.

KUN KVALIFISER PERSONELL MÅ UTFØRE VEDLIKEHOLD PÅ DENNE PEISEN. FØR DET GJØRES ARBEID PÅ APPARATET: SLÅ AV APPARATET OG TA UT STRØMFORSYNINGEN SLIK AT DET IKKE FINNES NOE STRØM TIL APPARATET.

- 1.1 Vent minst 10 minutter til peisen har kjølt seg ned.
- 1.2 **Bytte av batteri på fjernkontroll**
Bytt ut med et AAA-batteri. Forsikre deg om at batteriet er montert korrekt i fjernkontrollen.



MERK: Fjernkontrollen har en batteristatusindikator (øverst i høyre hjørne). Etter en lengre periode med tom visning, vil LED-skjermen slutte å fungere til tross for at håndsettet fremdeles kan sende kommandoer Erstatt batteriet for å gjenopprette displayet.

- 1.3 **Vedlikehold av motorer**
Motoren til viften og flammeeffekten er forhåndssmurt for å forlenge lagrenes levetid og trenger derfor ikke smøres. Periodisk rengjøring/stovsuging av viften/peisen anbefales imidlertid.

- 1.4 **Tilbakestilling av termisk sikringsautomat**
Peisen er utstyrt med en elektronisk sikkerhetskontroll (E.S.). Dette er en sikkerhetsanordning som slår av flammen dersom peisen av en eller annen grunn blir overopphetet, f.eks. ved tildekking.

Dersom peisen slutter å fungere mens flammeeffekten fortsetter som normalt, betyr det at E.S.-kontrollen er i drift.

E.S.-kontrollen kan bare tilbakestilles etter at peisen er nedkjølt. Tilbakestill E.S.:
Slå av peisen (med den manuelle Av/På-bryteren) og la peisen stå i 120 minutter.
Fjern eventuelle hindringer i avløpet for viftevarmeren eller andre indre deler.
Slå på peisen, og E.S.-kontrollen vil tilbakestilles. Forsikre deg om at peisen fungerer korrekt. Dersom E.S.-kontrollen slår inn igjen, bør peisen sjekkes av en fagkyndig elektriker.



DURANTE LA REPARACIÓN DE ESTE APARATO, PODRÍA TENER QUE CORTAR BRIDAS DE CABLES PARA PONER ACCEDER A ALGUNAS PIEZAS PARA SU DESMONTAJE. LAS BRIDAS SE DEBERÁN VOLVER A COLOCAR CUANDO SE INSTALE DE NUEVO EL APARATO.

ESTE APARATO SOLAMENTE DEBE REPARARLO UNA PERSONA DEBIDAMENTE ACREDITADA. ANTES DE REALIZAR TAREAS CON EL APARATO: APAGUE EL APARATO Y RETIRE LA FUENTE DE ALIMENTACIÓN PARA ASEGURAR QUE EL APARATO NO CUENTA CON ALIMENTACIÓN ELÉCTRICA.

- 1.1 Espere al menos 10 minutos hasta que se haya enfriado el aparato.
- 1.2 **Sustitución de la pila del mando a distancia**
Sustituir por 2 pilas AAA. Asegúrese de que la pila se encuentra correctamente instalada en el mando a distancia.

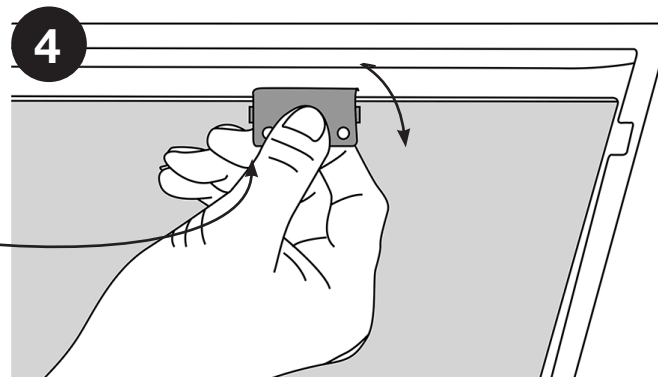
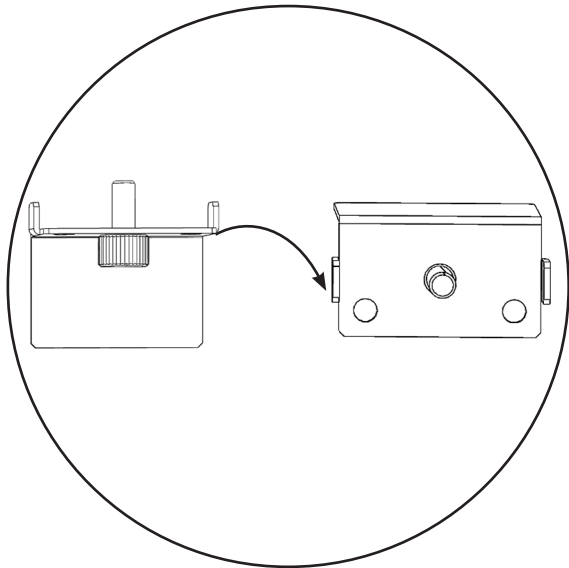
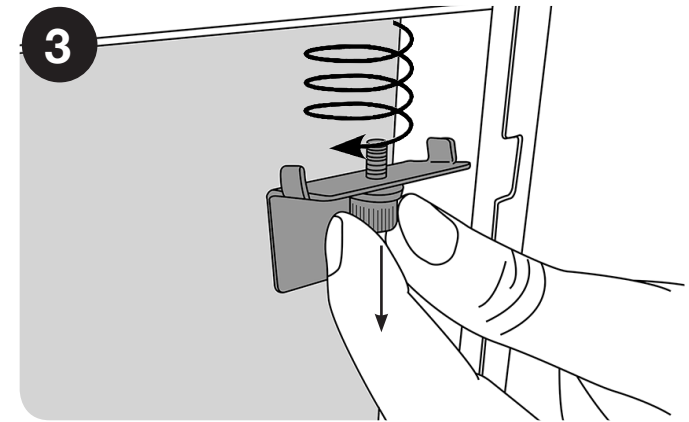
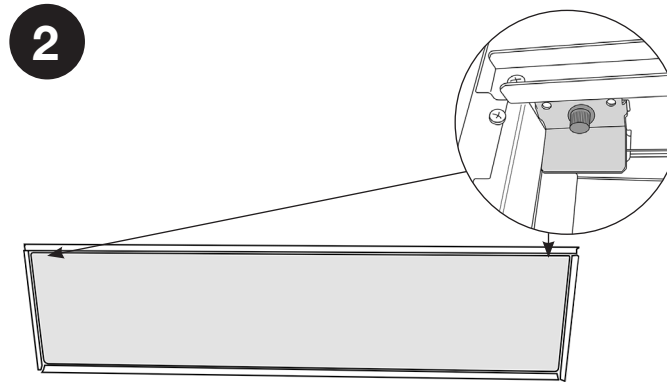
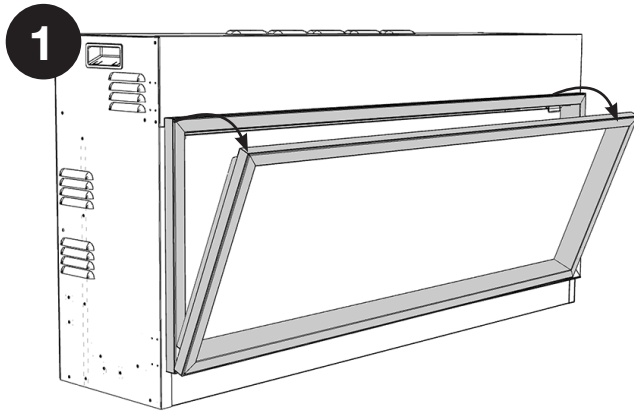


NOTA: El control remoto tiene un indicador de estado de la batería (en la esquina superior derecha); tras un lapso prolongado de mostrar que está agotada, la pantalla LED dejará de funcionar: Sin embargo, el mando seguirá controlando la unidad. Cambie las pilas para que la pantalla vuelva a funcionar.

- 1.3 **Mantenimiento de los motores**
Los motores empleados en el ventilador y en el efecto de llama vienen ya engrasados para prolongar su vida útil y no requieren volver a ser engrasados. Sin embargo, sí se recomienda la limpieza o aspirado periódicos de la unidad del ventilador/ calefactor.
- 1.4 **Reinicio del interruptor térmico de protección**
El aparato dispone de un control electrónico de seguridad. Se trata de un dispositivo de seguridad que desconecta la estufa en caso de que el aparato se sobrecaliente por cualquier razón, como por ejemplo al cubrirse.

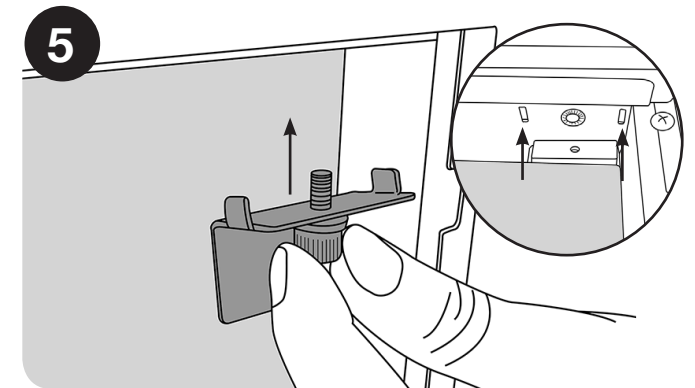
Si el calefactor deja de funcionar mientras continua con normalidad el efecto de llama, es un indicador de que el control de seguridad se ha activado.
Este control solamente puede reiniciarse una vez que el aparato se ha enfriado.
Para reiniciar el control de seguridad:
Desconecte el aparato (interruptor encendido/apagado manual) y espere unos 120 minutos.
Elimine cualquier obstrucción en la salida del ventilocalefactor u otras piezas internas.
Encienda el aparato y el control de seguridad se reiniciará. Compruebe que el aparato funciona con normalidad. Si el control de seguridad se activa de nuevo, el aparato deberá ser revisado por un electricista cualificado.

2. Removing the Exterior Glass/ Retrait de la vitre extérieure/ Het buitenste glas verwijderen/ Rimozione del vetro esterno/
Fjerne det utvendige glasset/ Desmontaje del vidrio exterior

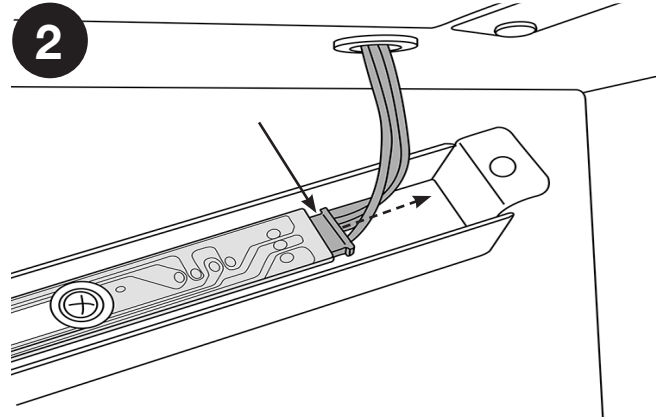
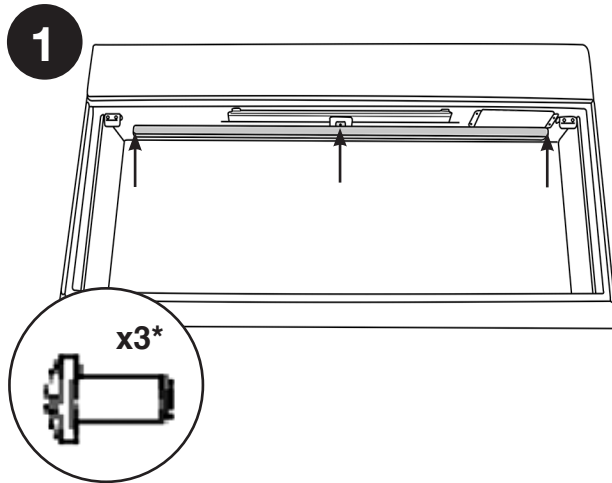


EN: Replacing
FR: Remplacer
NL: Vervangen

IT: Sostituzione
NO: Erstatte
ES: Reemplazando



3. Removing the LED Light Bar/ Retirer la barre à LED/ De LED-lichtbalk verwijderen/ Rimozione della barra luminosa a LED/
Ta ut LED-lysbjelken/ Desmontaje de la barra de luces LED



EN: There is more than one central screw on larger models.

IT: C'è più di una vite centrale su modelli più grandi.

FR: Il y a plus d'une vis centrale sur les modèles plus grands.

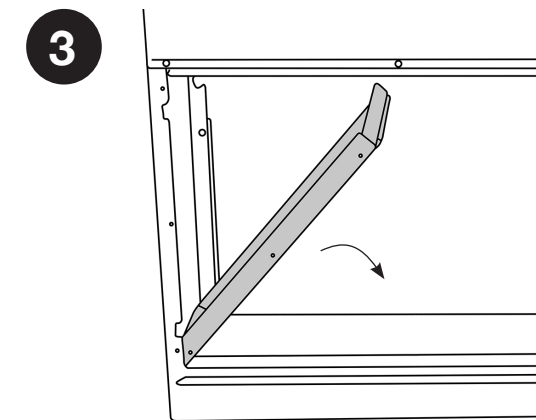
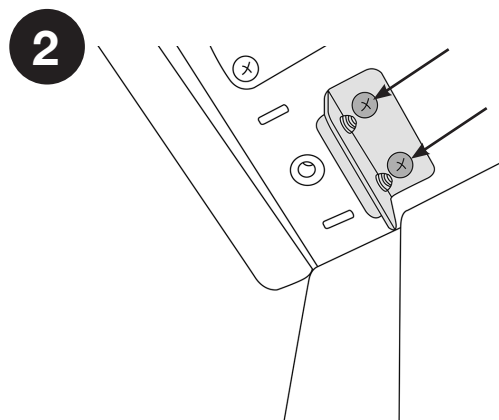
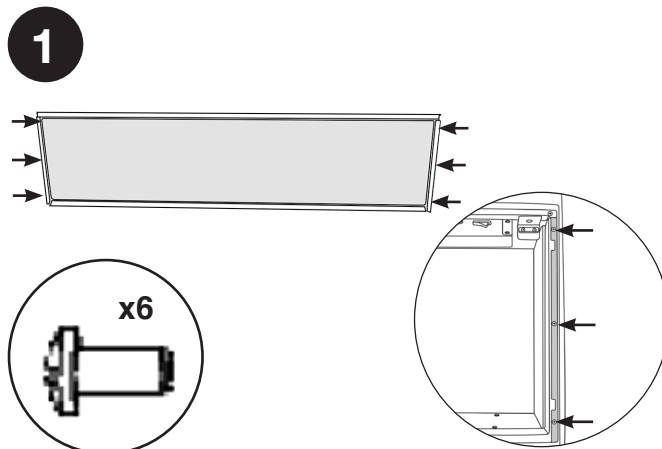
NO: Det er mer enn én midtre skrue på større modeller.

NL: Bij grotere modellen is er meer dan één centrale schroef.

ES: Los modelos más grandes tienen más de un tornillo central.

4. Removing the Glass Side Panels/ Retirer les panneaux vitrés intérieure/ Verwijder de glazen zijpanelen/ Rimozione dei pannelli laterali di vetro/
Å ta av glass-sidepanelene/ Desmontaje de los paneles laterales de vidrio

i **EN:** Follow section 2 & 3 **IT:** Segui la sezione 2 & 3
FR: Suivez la section 2 & 3 **NO:** Følg avsnitt 2 & 3
NL: Volg sectie 2 & 3 **ES:** Siga la sección 2 & 3



5. Removing the Fuel Bed/ Dépose du lit de combustible/ Het brandstofbed verwijderen/ Togliere il crogiolo di combustione/
Fjerning av brennkammeret/ Cómo desmontar el lecho de combustible



EN: Follow section 2, 3, & 4 **IT:** Segui la sezione 2, 3, & 4
FR: Suivez la section 2, 3, & 4 **NO:** Følg avsnitt 2, 3, & 4
NL: Volg sectie 2, 3, & 4 **ES:** Siga la sección 2, 3 & 4

EN: With the glass removed carefully gather up the fuel effect and place to one side.

FR: Une fois la vitre retirée, rassembler l'effet combustible avec précaution et le mettre de côté.

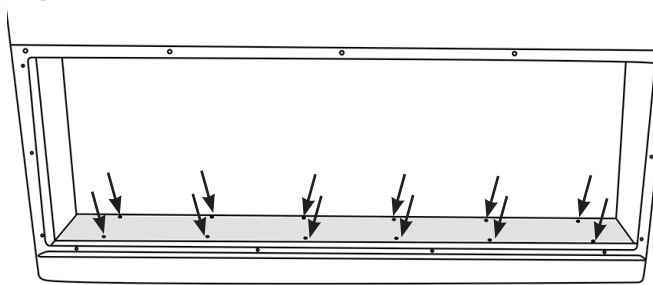
NL: Als het glas is verwijderd, verzamel voorzichtig het brandstofeffect en plaats dit aan één zijde.

IT: Col vetro tolto, raccogliere l'effetto combustibile con attenzione e metterlo da parte.

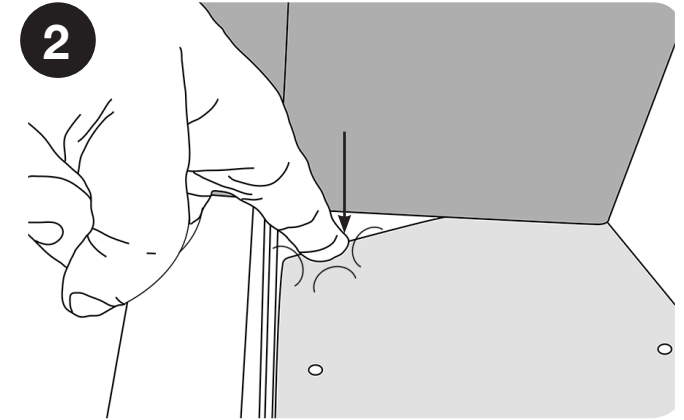
NO: Når glasset er fjernet samles effektene forsiktig opp og legges til side.

ES: Con el vidrio desmontado, aplique con cuidado el efecto de combustible y colóquelo a un costado.

1



2



EN: IMPORTANT: The number of screws may vary between models.

FR: IMPORTANT: Le nombre de vis peut varier d'un modèle à l'autre.

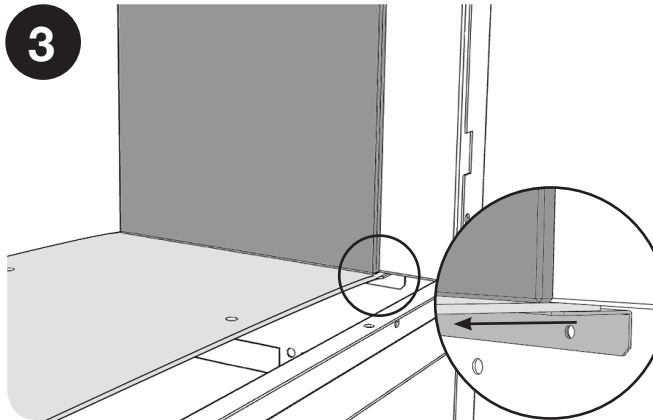
NL: BELANGRIJK: Het aantal schroeven kan per model verschillen.

IT: IMPORTANTE: Il numero di viti può variare tra i modelli.

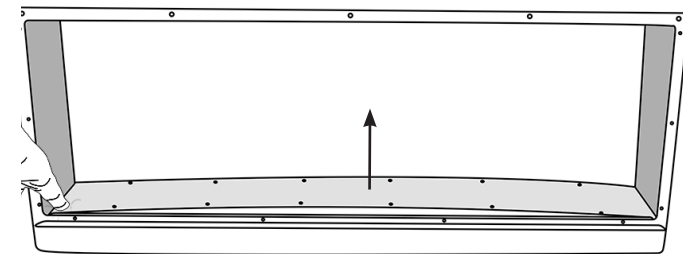
NO: VIKTIG: Antall skruer kan variere mellom modellene.

ES: IMPORTANTE: La cantidad de tornillos puede variar entre un modelo y otro.

3



4



EN: IMPORTANT: When replacing the fuel bed ensure that the rough side faces up.

FR: IMPORTANT: Lors du remplacement du lit de combustible, veillez à ce que le côté rugueux soit tourné vers le haut.

NL: BELANGRIJK: Controleer bij het vervangen van het brandstofbed voor dat de ruwe kant naar boven wijst

IT: IMPORTANTE: Quando si sostituisce il crogiolo di combustione, assicurarsi che il lato ruvido sia rivolto verso l'alto.

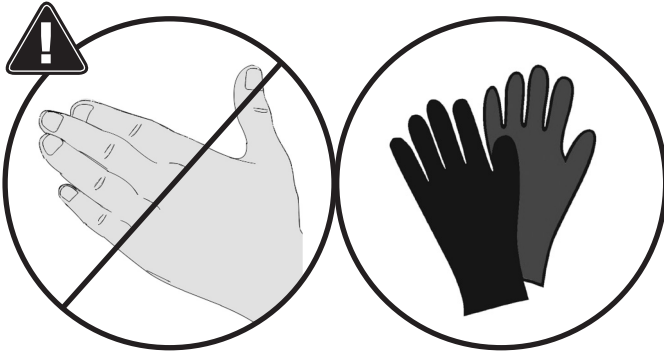
NO: VIKTIG: Når du skifter ut brennkammeret, sørg for at den grove siden peker oppover.

ES: IMPORTANTE: Al volver a colocar el lecho de combustible, verifique que el lado rugoso quede hacia arriba.

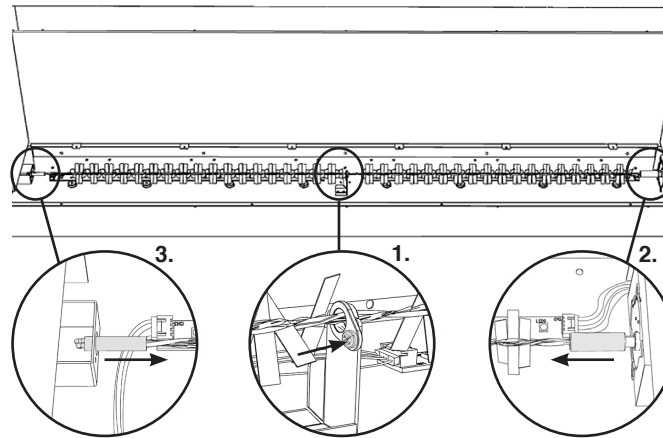
6. Replacing the Fuel Bed Effects Spindle/ Remplacer l'axe des effets du lit de combustible/ De brandstofbedeffectenspindel herplaatsen/
Sostituzione dell'eccentrico effetti del crogiolo di combustione/ Utskifting av brennkammerets effektspindel/ Cambio del eje de efectos del lecho de combustible



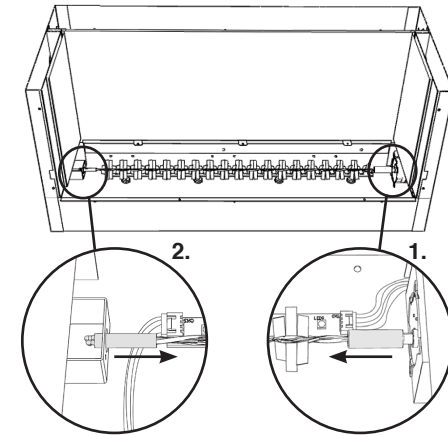
EN: Follow section 2, 4, & 5
FR: Suivez la section 2, 4, & 5
NL: Volg sectie 2, 4, & 5
IT: Segui la sezione 2, 4, & 5
NO: Følg avsnitt 2, 4, & 5
ES: Siga la sección 2, 4 & 5



1a 75R/ 85R/ 105R/ 135R/ 195R



1b 55R



**7. Replacing the Fuel Bed LED Boards/ Remplacer le panneau à LED du lit de combustible/
Het ledbord van het brandstofbed vervangen/ Sostituzione delle schede LED del crogiolo di combustione/
Utskifting av brenselsengens LED-brett/ Cambio de los paneles de luces LED del lecho de combustible**



EN: Follow section 2, 3, & 4 **IT: Segui la sezione 2, 3, & 4**
FR: Suivez la section 2, 3, & 4 **NO: Følg avsnitt 2, 3, & 4**
NL: Volg sectie 2, 3, & 4 **ES: Siga la sección 2, 3 & 4**



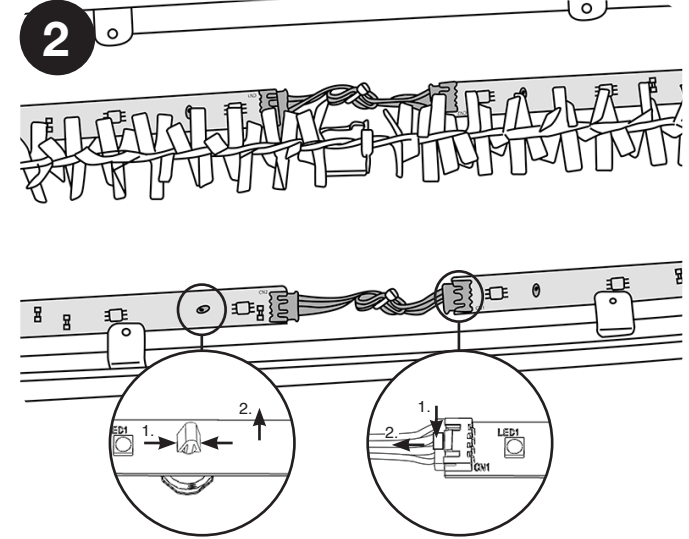
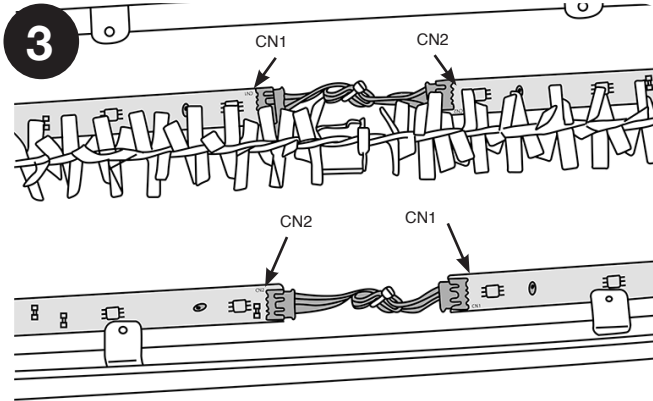
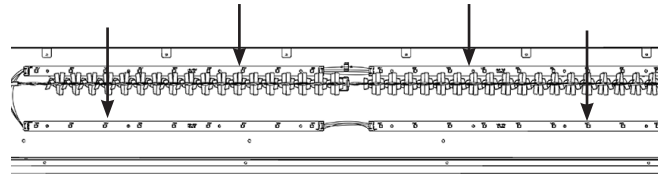
EN: IMPORTANT: The number of LED Boards may vary between models.
FR: IMPORTANT: Le nombre de cartes à LED peut varier d'un modèle à l'autre.
NL: BELANGRIJK: Het aantal LED-borden kan per model verschillen.
IT: IMPORTANTE: Il numero di schede LED può variare tra i modelli.
NO: VIKTIG: Antall LED-brett kan variere mellom modellene.
ES: IMPORTANTE: La cantidad de paneles de luces LED puede variar entre un modelo y otro.



EN: IMPORTANT: The LED Boards must be connected correctly with the CN1 in and the CN2 out in the correct orientation.
FR: IMPORTANT: Les Panneaux à LED doivent être correctement branchés à l'entrée CN1 et à la sortie CN2 dans le bon sens.
NL: BELANGRIJK: De LED-panels moeten op de juiste wijze en in de juiste positie gekoppeld zijn aan de CN1-in en de CN2-uit.
IT: IMPORTANTE: Le schede LED devono essere collegate correttamente con CN1 all'interno e CN2 all'esterno nell'orientamento corretto.
NO: VIKTIG: LED-kortene må kobles til riktig med CN1 inn og CN2 ut i riktig retning.
ES: IMPORTANTE: Los paneles de luces LED se deben conectar correctamente con los terminales CN1 y CN2, y deben tener la orientación correcta.



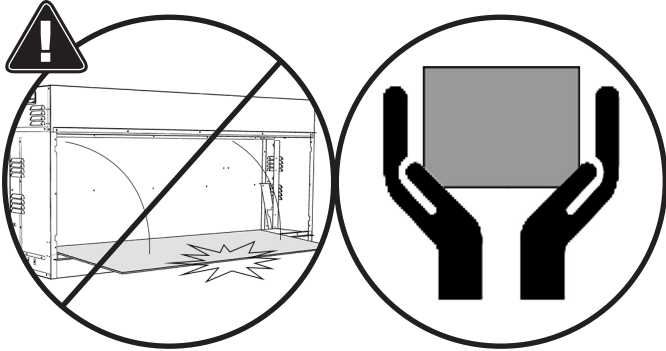
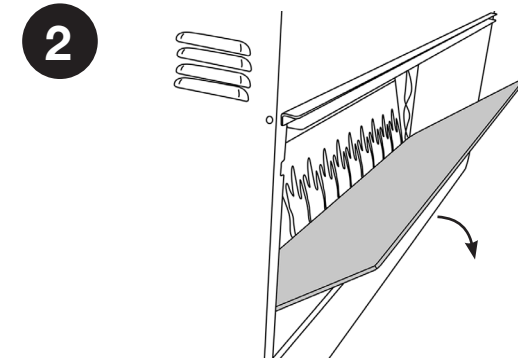
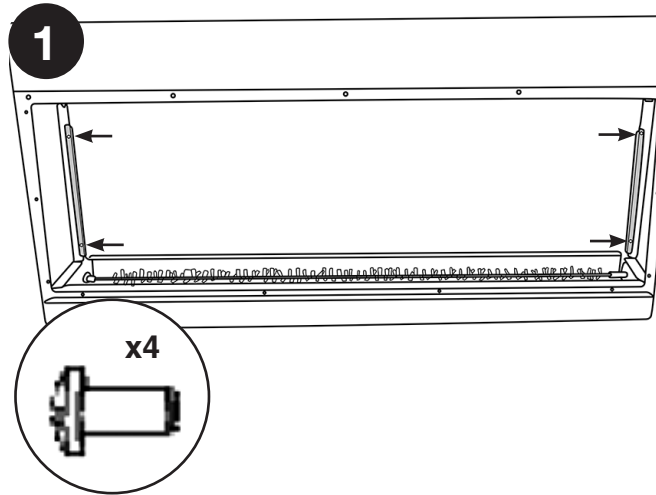
LED Boards/ Panneaux à LED/ Ledbord/
Schede LED/ LED-brett/ Paneles de luces LED



8. Removing the Interior Glass Screen/ Retrait de la vitre intérieure/ Het binnenste glas scherm verwijderen/
Rimozione dello schermo di vetro interno/ Ta ut den innvendige glass-skjermen/ Desmontaje del vidrio interior

i EN: Follow section 2, 3, & 4 IT: Segui la sezione 2, 3, & 4
FR: Suivez la section 2, 3, & 4 NO: Følg avsnitt 2, 3, & 4
NL: Volg sectie 2, 3, & 4 ES: Siga la sección 2, 3 & 4

i EN: IMPORTANT: When replacing the glass the side with the glossy finish must face towards the front of the appliance.
FR: IMPORTANT: Lors du remplacement de la vitre, le côté brillant doit faire face à l'avant de l'appareil.
NL: BELANGRIJK: Wanneer het glas wordt vervangen, moet de kant met de glanzende afwerking richting de voorkant van het toestel staan.
IT: IMPORTANTE: Quando si sostituisce il vetro, il lato con la finitura lucida deve essere rivolto verso la parte anteriore dell'apparecchio.
NO: VIKTIG: Når du setter inn glasset må den blanke siden være mot framsiden av apparatet.
ES: IMPORTANTE: Al cambiar el vidrio, el lado con el acabado satinado debe quedar orientado hacia el frente de la unidad.



9. Removing the Effects Screen/ Retrait de l'écran des effets/ Het Effectenscherf verwijderen/
Togliere lo schermo degli effetti/ Fjerning av effektskjermen/ Cómo desmontar la pantalla de efectos



EN: Follow section 2, 3, 4, 5, 7 & 8
FR: Suivez la section 2, 3, 4, 5, 7 & 8
NL: Volg sectie 2, 3, 4, 5, 7 & 8
IT: Segui la sezione 2, 3, 4, 5, 7 & 8
NO: Følg avsnitt 2, 3, 4, 5, 7 & 8
ES: Siga la sección 2, 3, 4, 5, 7 & 8

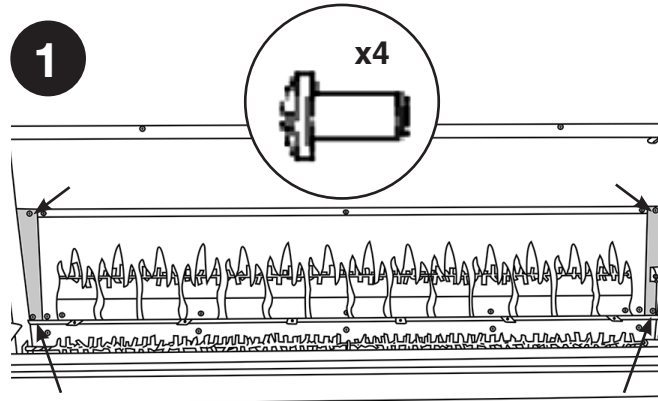


EN: IMPORTANT: The number of screws may vary between models.
FR: IMPORTANT: Le nombre de vis peut varier d'un modèle à l'autre.
NL: BELANGRIJK: Het aantal schroeven kan per model verschillen.
IT: IMPORTANTE: Il numero di viti può variare tra i modelli.
NO: VIKTIG: Antall skruer kan variere mellom modellene.
ES: IMPORTANTE: La cantidad de tornillos puede variar entre un modelo y otro.

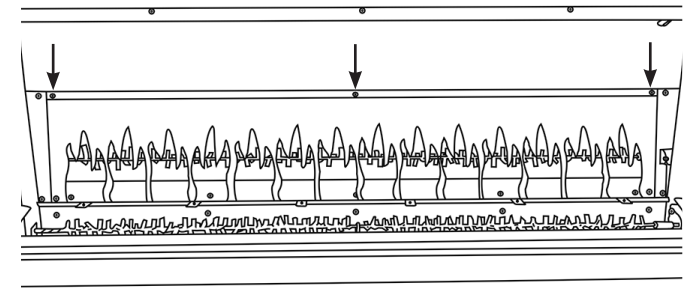


EN: IMPORTANT: When replacing the Effects Screen the side with the glossy finish must face towards the front of the appliance with the flames in the correct orientation.
FR: IMPORTANT: Lors du remplacement de l'écran des effets, le côté brillant doit faire face à l'avant de l'appareil avec les flammes dans le bon sens.
NL: BELANGRIJK: Wanneer het scherm wordt teruggeplaatst moet de kant met de glanzende afwerkingen richting de voorkant van het toestel staan en met de vlammen in de juiste richting.
IT: IMPORTANTE: Quando si sostituisce la schermata degli effetti, il lato con la finitura lucida deve essere rivolto verso la parte anteriore dell'apparecchio con le fiamme orientate correttamente.
NO: VIKTIG: Når du skifter ut effekt-skjermen må siden med den blanke overflaten peke mot fremsiden av apparatet med flammene i riktig retning.
ES: IMPORTANTE: Al cambiar la pantalla de efectos, el lado con el acabado satinado debe quedar orientado hacia el frente de la unidad, y las llamas con la orientación correcta.

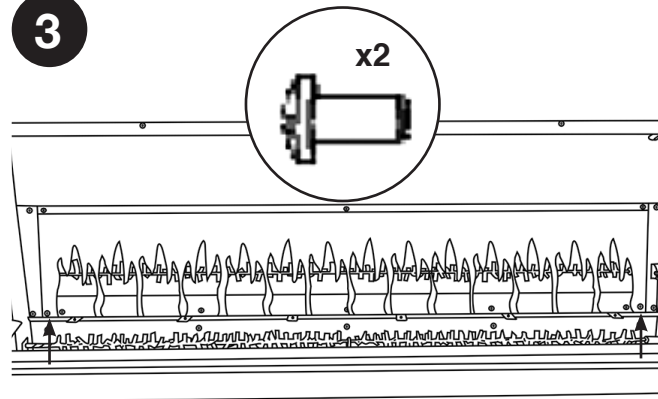
1



2

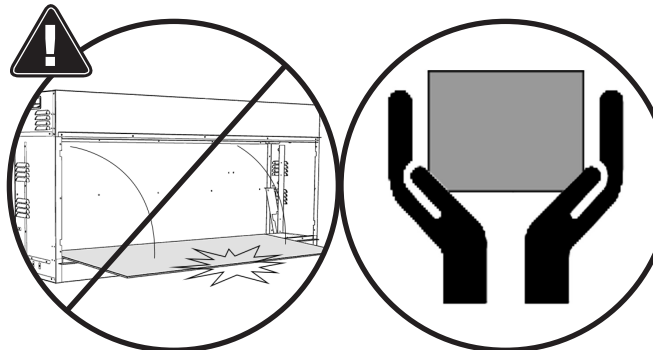
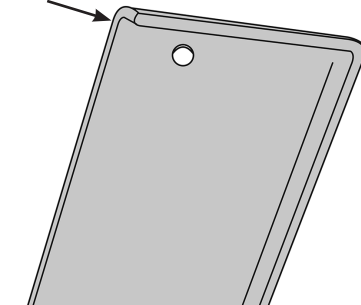


3



4

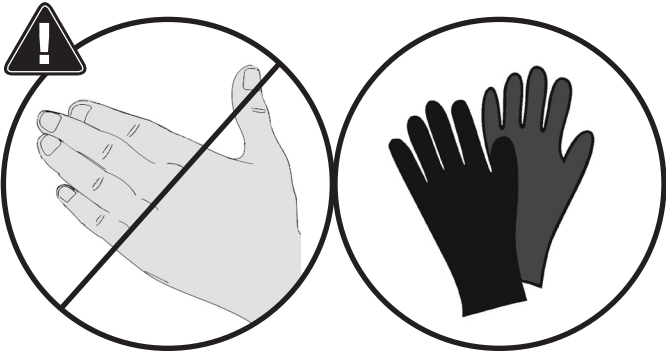
Top/ Haut/ Boven/ Parte superiore/ Top/ Arriba



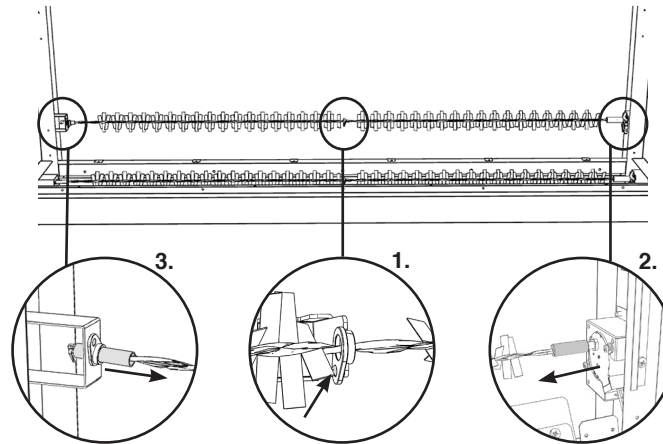
EN: IMPORTANT: When refitting the brackets the folded tab must be located at the top.
FR: IMPORTANT: Lorsque vous remontez les supports, la languette pliée doit être placée en haut.
NL: BELANGRIJK: Wanneer de beugels teruggeplaatst worden, moet de gevouwen lus zich bovenop bevinden.
IT: IMPORTANTE: Quando si rimettono le staffe, la linguetta piegata deve trovarsi in alto.
NO: VIKTIG: Når du setter brakettene på plass, må den bøyde fliken befinne seg på toppen.
ES: IMPORTANTE: Al volver a colocar los soportes, la saliente plegada debe quedar en la parte superior.

10. Replacing the Flame Effects Spindle/ Remplacer l'axe des effets de flamme/ De vlameffectenspindel terugplaatsen/
Sostituzione dell'eccentrico effetti fiamma/ Utskiifting av flamme-effektspindelen/ Cambio del eje de efectos de llama

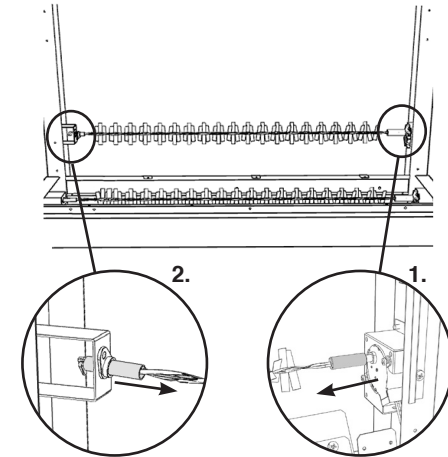
i EN: Follow section 2, 3, 4, 5, 7, 8 & 9
FR: Suivez la section 2, 3, 4, 5, 7, 8 & 9
NL: Volg sectie 2, 3, 4, 5, 7, 8 & 9
IT: Segui la sezione 2, 3, 4, 5, 7, 8 & 9
NO: Følg avsnitt 2, 3, 4, 5, 7, 8 & 9
ES: Siga la sección 2, 3, 4, 5, 7, 8 & 9



1a 75R/ 85R/ 105R/ 135R/ 195R



1b 55R



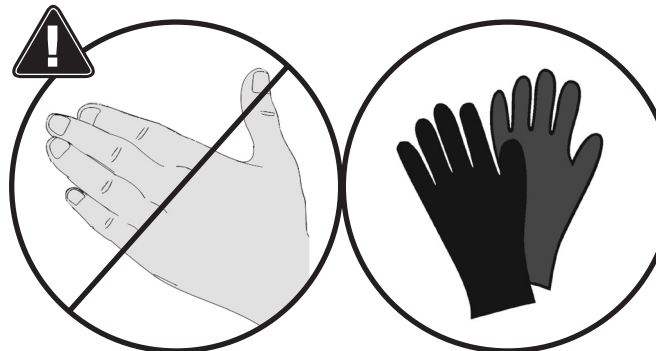
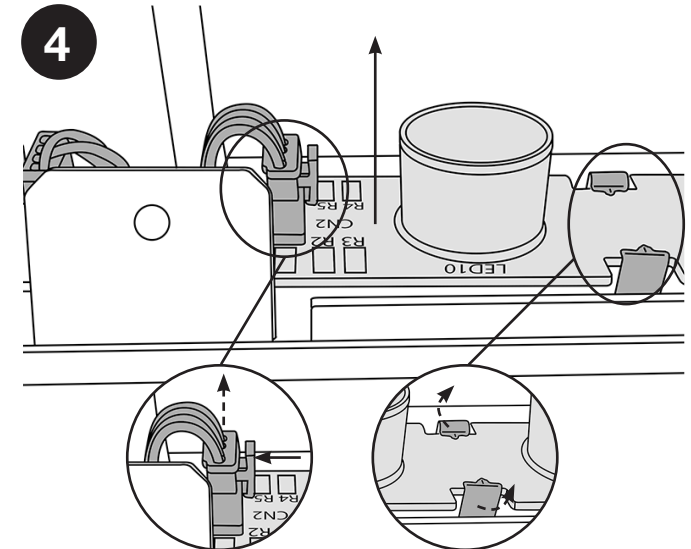
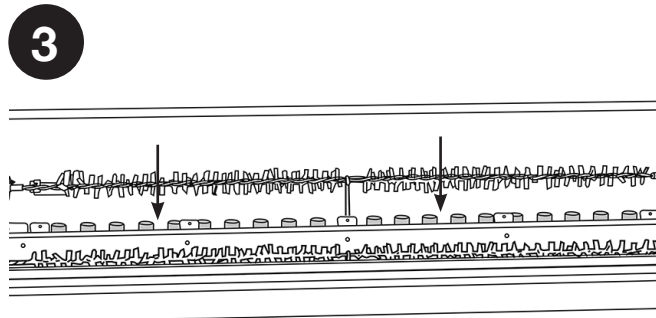
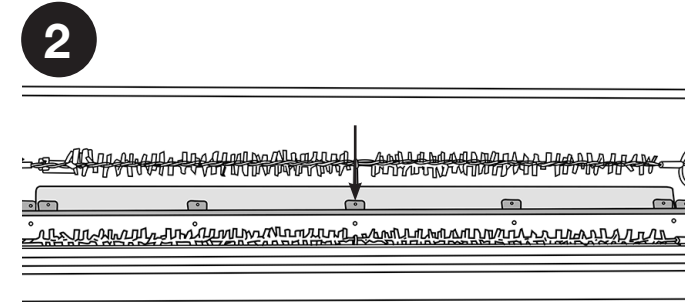
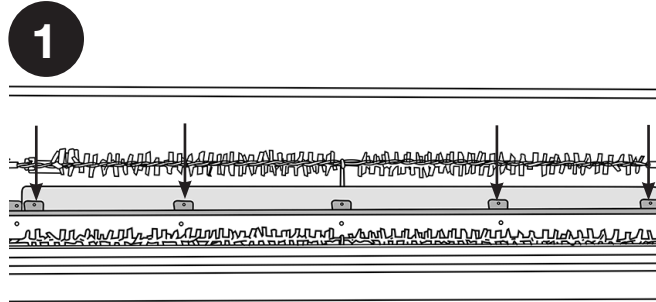
11. Replacing the Flame Effect LED Board/ Remplacement de la carte à LED de l'effet flamme/ Het led-paneel van het vlameffect vervangen/ Riposizionamento del pannello di LED dell'effetto fiamma/ Bytte ut led-kortet for flammeeffekt/ Cambio del panel de luces LED del efecto de llama

i EN: Follow section 2, 3, 4, 5, 7, 8 & 9
FR: Suivez la section 2, 3, 4, 5, 7, 8 & 9
NL: Volg sectie 2, 3, 4, 5, 7, 8 & 9
IT: Segui la sezione 2, 3, 4, 5, 7, 8 & 9
NO: Følg avsnitt 2, 3, 4, 5, 7, 8 & 9
ES: Siga la sección 2, 3, 4, 5, 7, 8 & 9

i EN: IMPORTANT: The number of LED Boards may vary between models.
FR: IMPORTANT: Le nombre de cartes à LED peut varier d'un modèle à l'autre.
NL: BELANGRIJK: Het aantal LED-borden kan per model verschillen.
IT: IMPORTANTE: Il numero di schede LED può variare tra i modelli.
NO: VIKTIG: Antall LED-brett kan variere mellom modellene.
ES: IMPORTANTE: La cantidad de paneles de luces LED puede variar entre un modelo y otro.

! EN: IMPORTANT: The LED Boards must be connected correctly with the CN1 in and the CN2 out in the correct orientation.
FR: IMPORTANT: Les Panneaux à LED doivent être correctement branchés à l'entrée CN1 et à la sortie CN2 dans le bon sens.
NL: BELANGRIJK: De LED-panels moeten op de juiste wijze en in de juiste positie gekoppeld zijn aan de CN1-in en de CN2-uit.
IT: IMPORTANTE: Le schede LED devono essere collegate correttamente con CN1 all'interno e CN2 all'esterno nell'orientamento corretto.
NO: VIKTIG: LED-kortene må kobles til riktig med CN1 inn og CN2 ut i riktig retning.
ES: IMPORTANTE: Los paneles de luces LED se deben conectar correctamente con los terminales CN1 y CN2, y deben tener la orientación correcta.

i EN: IMPORTANT: The number of screws may vary between models.
FR: IMPORTANT: Le nombre de vis peut varier d'un modèle à l'autre.
NL: BELANGRIJK: Het aantal schroeven kan per model verschillen.
IT: IMPORTANTE: Il numero di viti può variare tra i modelli.
NO: VIKTIG: Antall skruer kan variere mellom modellene.
ES: IMPORTANTE: La cantidad de tornillos puede variar entre un modelo y otro.



12. Replacing the Fuel Bed Motor/ Remplacer le moteur du lit de combustible/ De brandstofbedmotor herplaatsen/
Sostituzione del motore del crogiolo di combustione/ Utskifting av brennkammer-motoren/ Cambio del motor del lecho de combustible



EN: Follow section 2, 3, & 5
FR: Suivez la section 2, 3, & 5
NL: Volg sectie 2, 3, & 5

IT: Segui la sezione 2, 3, & 5
NO: Følg avsnitt 2, 3, & 5
ES: Siga la sección 2, 3, & 5



EN: IMPORTANT: The cable clip may need to be removed to gain access to the connector, ensure this is replaced when operation is complete.

FR: IMPORTANT: Le serre-câbles devra peut-être être retiré pour accéder au connecteur, veillez à le remettre en place une fois l'opération terminée.

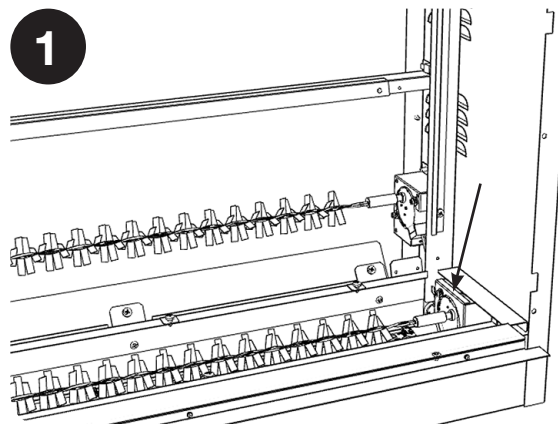
NL: BELANGRIJK: De kabelclip moet wellicht worden verwijderd om toegang te krijgen tot de connector; controleer of deze is teruggeplaatst wanneer de handeling is afgerond.

IT: IMPORTANTE: Potrebbe essere necessario rimuovere la clip del cavo per accedere al connettore, assicurarsi che venga sostituito, quando l'operazione è completata.

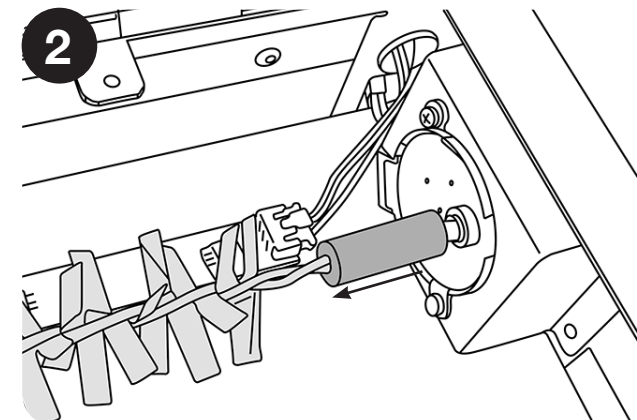
NO: VIKTIG: Kabelklemmen må muligens fjernes for å få adgang til kontaktene, sørg for at denne skiftes ut når driften er fullført

ES: IMPORTANTE: Quizás deba quitar el sujetacable para poder acceder al conector; al finalizar, verifique que lo hay vuelvo a colocar.

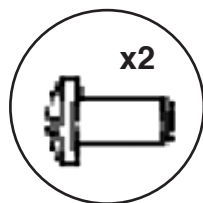
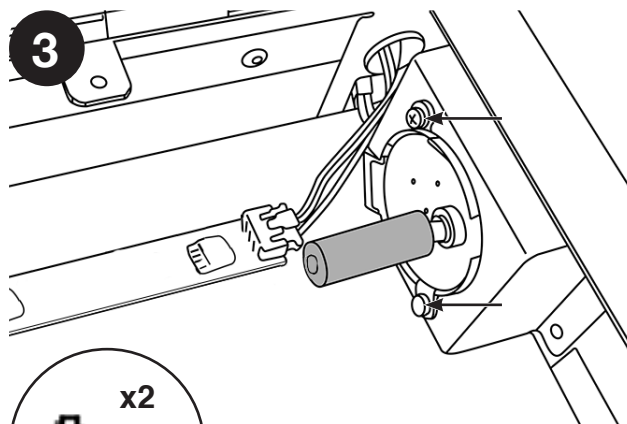
1



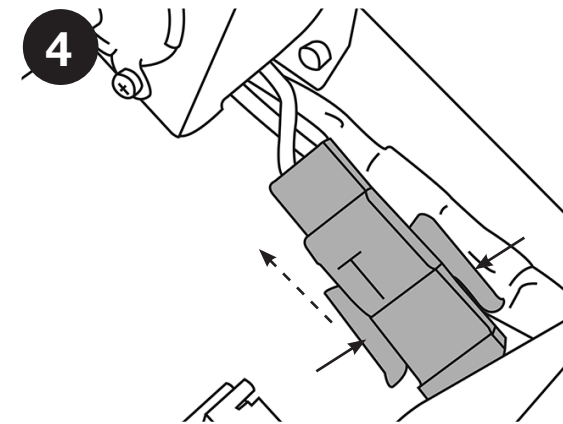
2



3



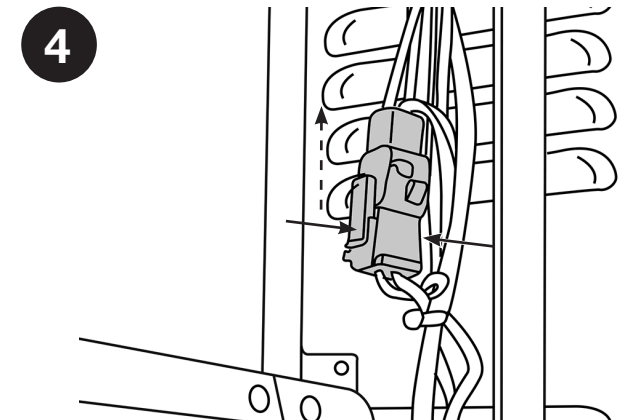
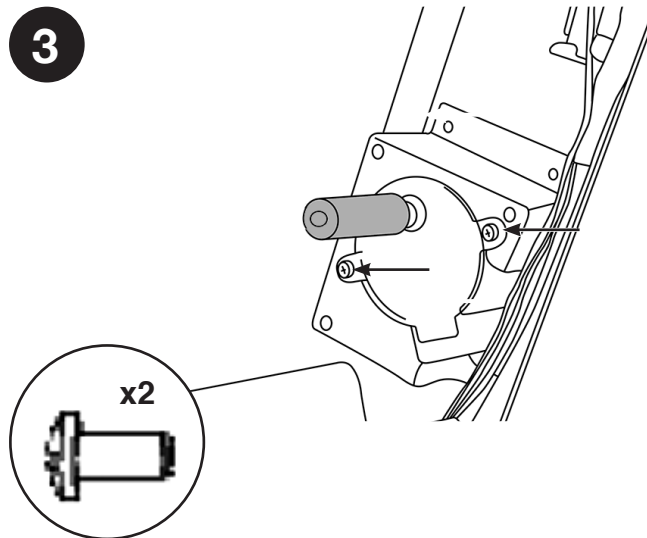
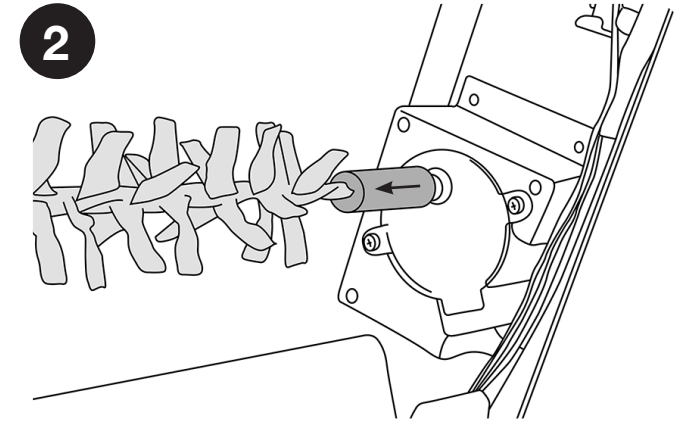
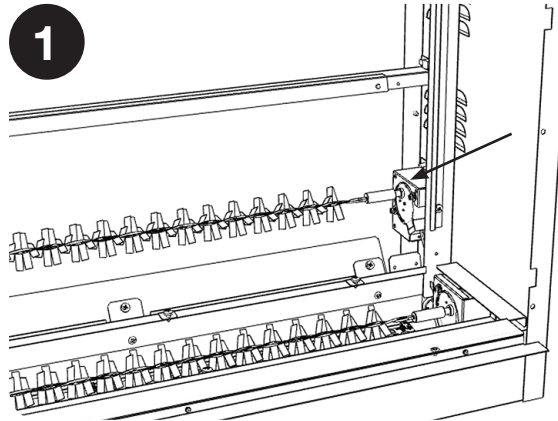
4



13. Replacing the Flame Effect Motor/ Remplacer le moteur des effets de flamme/ De vlameffectenmotor terugplaatsen/
Sostituzione del motore effetti fiamma/ Utskiifting av flammeeffekt-motoren/ Cambio del motor de efectos de llama

i EN: Follow section 2, 3, 4, 5, 7, & 8
FR: Suivez la section 2, 3, 4, 5, 7, & 8
NL: Volg sectie 2, 3, 4, 5, 7, & 8
IT: Segui la sezione 2, 3, 4, 5, 7, & 8
NO: Følg avsnitt 2, 3, 4, 5, 7, & 8
ES: Siga la sección 2, 3, 4, 5, 7 & 8

i EN: IMPORTANT: Ensure the cable ties are replaced.
FR: IMPORTANT: S'assurer que les serre-câbles soient remplacés.
NL: BELANGRIJK: Controleer of de kabelbinders zijn teruggeplaatst.
IT: IMPORTANTE: Assicurarsi che le fascette siano sostituite.
NO: VIKTIG: Sørg for at kabelstroppene skiftes ut.
ES: IMPORTANTE: Verifique que los sujetacables se hayan cambiado.



14. Replacing the Power Unit/ Remplacer l'unité d'alimentation/ Terugplaatsen van de voedingseenheid/
Rimettere l'alimentatore/ Utskifting av strømenhet/ Cambio de la unidad de alimentación



85R, 105R, 135R & 195R

EN: Follow section 2
FR: Suivez la section 2
NL: Volg sectie 2

IT: Segui la sezione 2
NO: Følg avsnitt 2
ES: Siga la sección 2



55R & 75R

EN: Follow section 2 & 3
FR: Suivez la section 2 & 3
NL: Volg sectie 2 & 3

IT: Segui la sezione 2 & 3
NO: Følg avsnitt 2 & 3
ES: Siga la sección 2 & 3



EN: IMPORTANT: The Power Unit may vary slightly between models.

FR: IMPORTANT: L'unité d'alimentation peut varier légèrement d'un modèle à l'autre.

NL: BELANGRIJK: De voedingseenheid kan enigszins variëren tussen modellen.

IT: IMPORTANTE: L'unità di alimentazione può variare leggermente tra i modelli.

NO: VIKTIG: Strømmenheten kan variere litt mellom modellene.

ES: IMPORTANTE: La unidad de alimentación puede variar ligeramente entre un modelo y otro.



EN: IMPORTANT: The wiring loom may vary slightly between models.

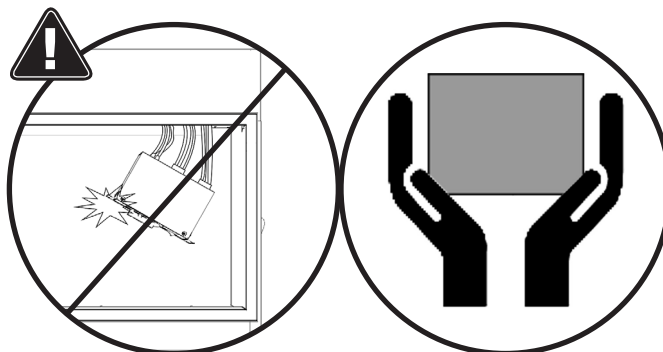
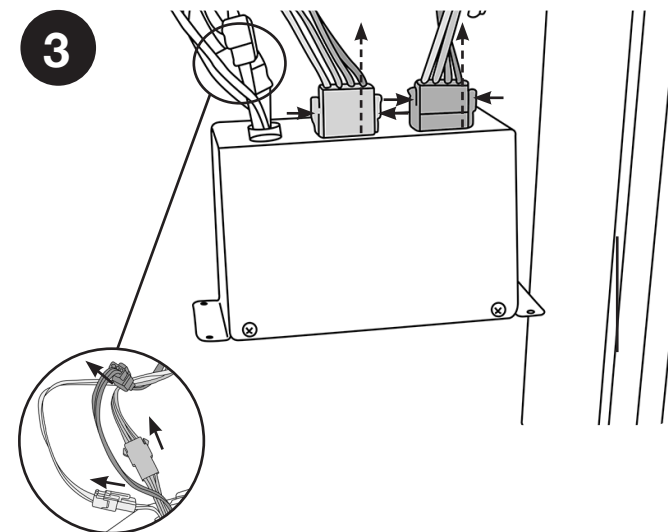
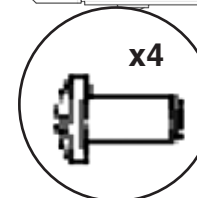
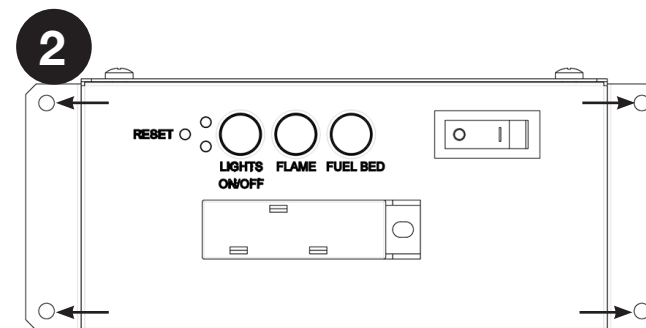
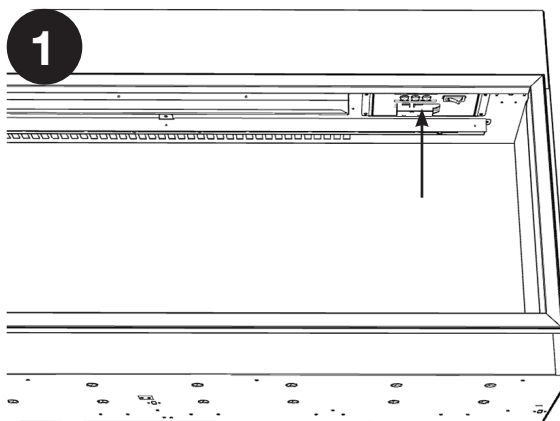
FR: IMPORTANT: Le faisceau de câbles peut varier légèrement d'un modèle à l'autre.

NL: BELANGRIJK: De draadboom kan enigszins afwijken tussen de modellen.

IT: IMPORTANTE: Il telaio del cablaggio può variare leggermente tra i modelli.

NO: VIKTIG: Ledningsvingen kan variere litt mellom modellene.

ES: IMPORTANTE: El haz de conductores puede variar ligeramente entre un modelo y otro.

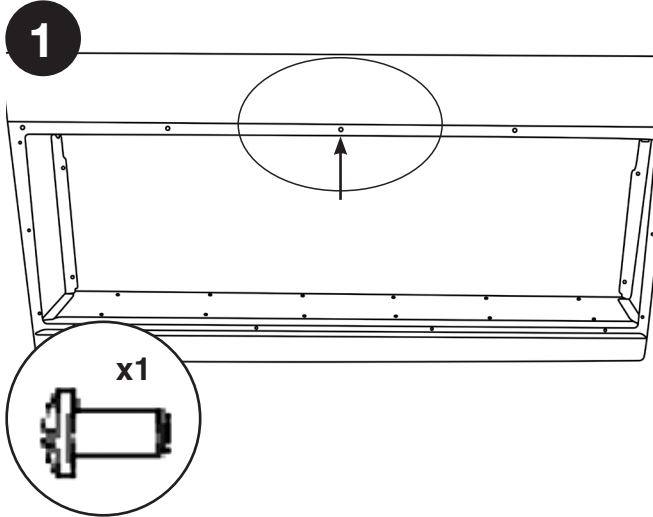


15. Replacing the Heater Assembly/ Remplacement De L'élément Chauffant/ Het Verwarmingselement Vervangen/
Sostituzione dell gruppo del riscaldatore/ Bytte Ut varmenheten/ Sustitución De La Pieza Calefactora

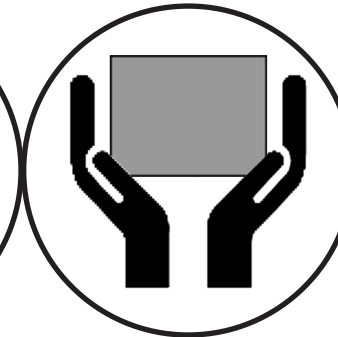
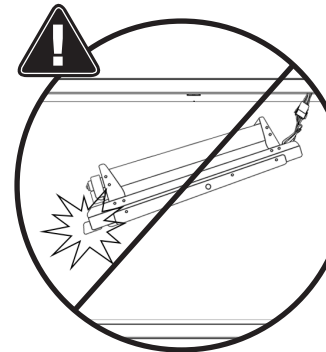
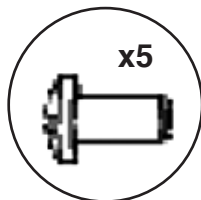
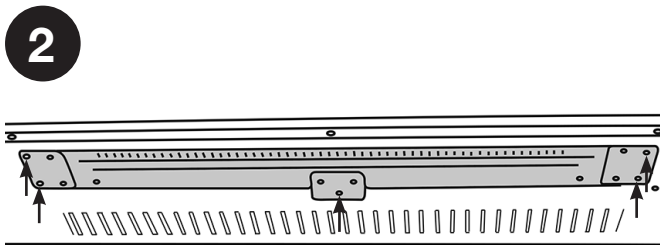


EN: Follow section 2 & 3
FR: Suivez la section 2 & 3
NL: Volg sectie 2 & 3

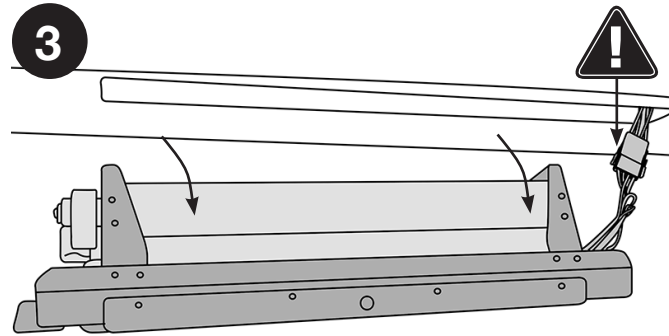
IT: Segui la sezione 2 & 3
NO: Følg avsnitt 2 & 3
ES: Siga la sección 2, 3



EN: IMPORTANT: The screw position may vary between models.
FR: IMPORTANT: La position de la vis peut varier d'un modèle à l'autre.
NL: BELANGRIJK: De schroefpositie kan van model tot model verschillen.
IT: IMPORTANTE: La posizione della vite può variare a seconda dei modelli.
NO: VIKTIG: Skruelassen kan variere mellom modellene.
ES: IMPORTANTE: La posición de los tornillos puede variar entre un modelo y otro.



15. Replacing the Heater Assembly/ Remplacement De L'élément Chauffant/ Het Verwarmingselement Vervangen/
Sostituzione dell gruppo del riscaldatore/ Bytte Ut varmenheten/ Sustitución De La Pieza Calefactora



EN: Tilt.

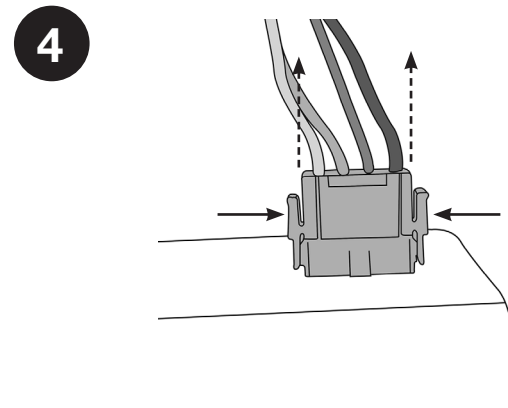
FR: Incliner.

NL: Kantelen.

IT: Inclinare.

NO: Tilt.

ES: Inclinar.



EN: IMPORTANT: PLEASE ENSURE NO WIRES ARE TRAPPED.

FR: IMPORTANT: VEUILLEZ VOUS ASSURER QU'AUCUN CÂBLE N'EST COINCÉ.

NL: BELANGRIJK: ZORG ERVOOR DAT ER GEEN DRADEN VAST KOMEN TE ZITTEN.

IT: IMPORTANTE: ACCERTARSI CHE NON CI SIANO DEI FILI RIMASTI INTRAPPOLATI.

NO: VIKTIG: VENNLIGST SE TIL AT INGEN LEDNINGER ER FANGET.

ES: IMPORTANTE: VERIFIQUE QUE NINGÚN CABLE QUEDE ATRAPADO.

16. Pairing the Remote Control to the Appliance/ Appairer la télécommande avec l'appareil/ De afstandsbediening koppelen aan het toestel

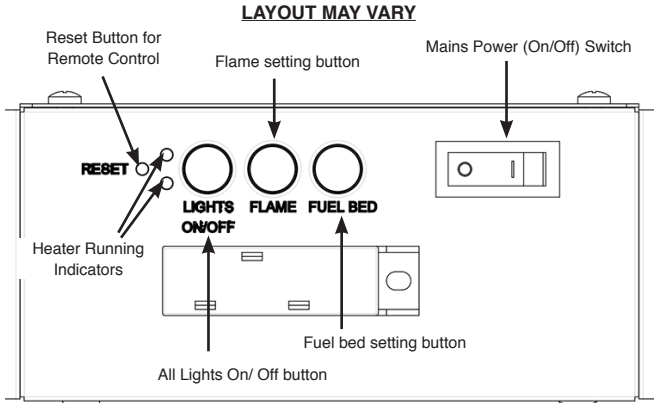
Signal Code

The below operations should be carried out before coding when changing to a new remote or the unit cannot be controlled by the remote:

The reset button is located on the control panel located on the right-hand side of the viewing window.

- 16.1 Press the reset button for 3 seconds (a pen point may be needed) until 3 short beeps sound from the unit, release the button.

Within 10 seconds, press the  button on remote. The coding is finished when 1 long beep sounds from the unit.



Resetting of the remote control is necessary if the appliance operates wrongly due to external interference signal and the remote control is not in use.

Open the back cover of the Remote.

Press the Reset button for 3 seconds and reset the coding.




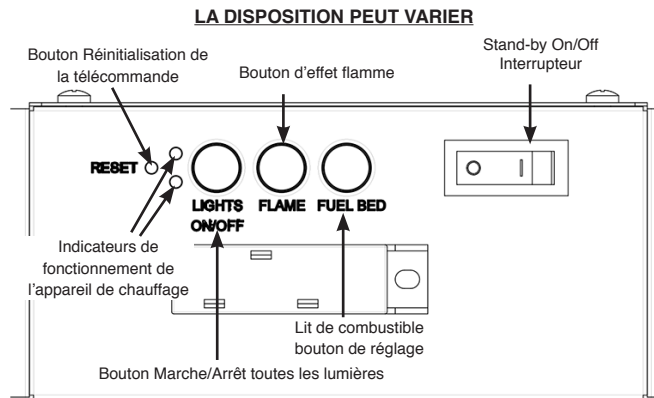
Code de signal

Les opérations ci-dessous doivent être menées avant le codage lors du remplacement d'une télécommande ou lorsque l'unité ne peut pas être contrôlée par la télécommande :

Le bouton de réinitialisation se trouve sur le panneau de commande à droite de la fenêtre de visualisation.

- 16.1 Appuyez sur le bouton de réinitialisation pendant 3 secondes (une pointe de stylo peut être nécessaire) l'unité émettra jusqu'à 3 bips courts, relâchez le bouton.

Au bout de 10 secondes, appuyez sur le bouton  de la télécommande. Le codage est terminé lorsque 1 long bip est émis par l'unité.



Une réinitialisation de la télécommande est nécessaire si l'appareil fonctionne de manière anormale en raison d'interférences causées par un signal externe et si la télécommande n'est pas utilisée.

Ouvrez le couvercle arrière de la télécommande.

Appuyez sur le bouton de réinitialisation pendant 3 secondes et réinitialisez le codage.



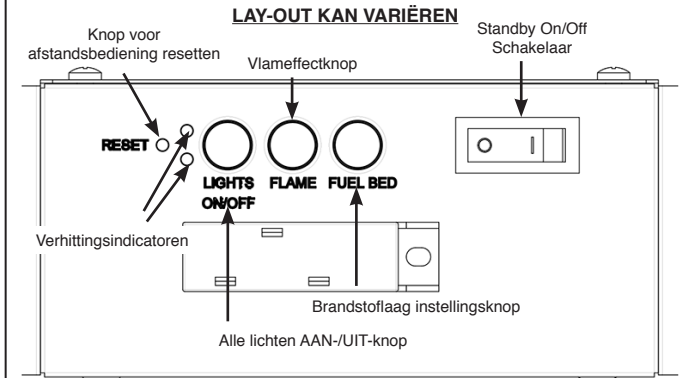
Signaalcode

De handelingen hieronder moeten worden uitgevoerd vóór codering wanneer wordt overgegaan op een nieuwe afstandsbediening; anders zal de eenheid niet kunnen worden bestuurd door de afstandsbediening:

De resetknop bevindt zich op het bedieningspaneel aan de rechterkant op het kijkscherm.

- 16.1 Druk op de resetknop voor 3 seconden (wellicht m.b.v. een penpunt) totdat 3 korte piepen klinken vanuit de eenheid, en laat de knop vervolgens los.

Druk binnen 10 seconden op de  -knop op de afstandsbediening. De codering is voltooid wanneer 1 lange piep vanuit de eenheid klinkt.



Het nodig is om de afstandsbediening te resetten als het toestel op onjuiste wijze werkt ten gevolge van een extern interferentiesignaal wanneer de afstandsbediening niet gebruikt wordt.

Open de achterkant van de afstandsbediening.

Houd de resetknop voor 3 seconden ingedrukt en reset decoding.




16. Accoppiamento telecomando apparecchio/ Sammenkoble fjernkontrollen/ Sincronización del mando a distancia al aparato

Codice di segnale

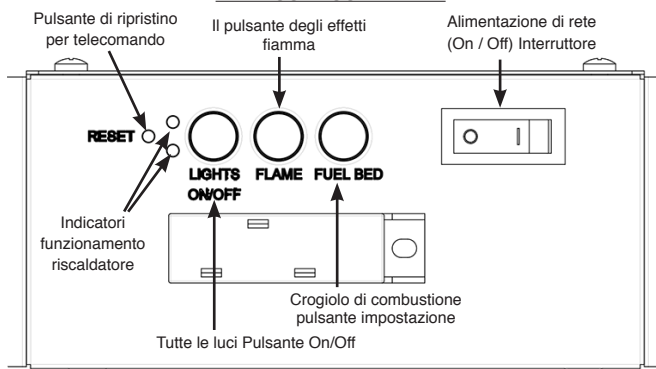
Le seguenti operazioni devono essere eseguite prima della codifica quando si passa a un nuovo telecomando o l'unità non può essere controllata dal telecomando:

Il pulsante di ripristino si trova sul pannello di controllo situato sul lato destro della finestra di visualizzazione.

- 16.1 Premere il pulsante di ripristino per 3 secondi (potrebbe essere necessaria una penna a sfera) finché non si sentono 3 brevi bip dall'unità, rilasciare il pulsante.

Nel giro di 10 secondi, premere il pulsante  sul telecomando. La codifica termina quando viene emesso 1 lungo bip dall'unità.

IL LAYOUT PUÒ VARIARE



Il ripristino del telecomando è necessario se l'apparecchio funziona in modo errato a causa di un segnale di interferenza esterno e il telecomando non è in uso.

Aprire il coperchio posteriore del telecomando.

Premere il pulsante di ripristino per 3 secondi e ripristinare la codifica.




Signalkode

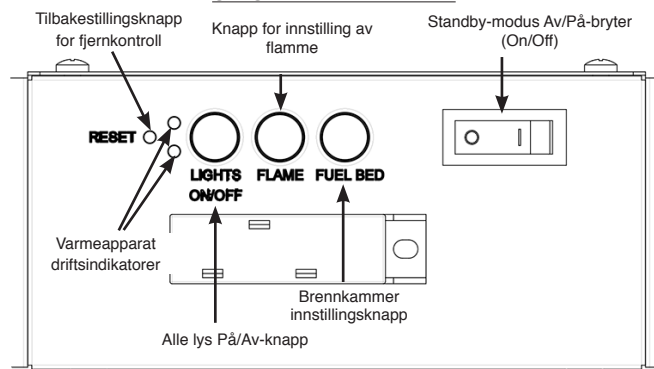
Den nedenstående operasjonen skal utføres før koding når du skifter til en ny fjernkontroll eller dersom enheten ikke kan styres av fjernkontrollen:

Tilbakestillings-knappen befinner seg på kontrollpanelet som er på høyre side av vinduet.

- 16.1 Trykk på tilbakestillings-knappen i 3 sekunder (det kan hende du trenger en pennespiss) inntil 3 korte pip kan høres fra enheten, slipp knappen.

Innen 10 sekunder, trykk på knappen  på fjernkontrollen. Kodingen er fullført når 1 lang pipelyd kan høres fra enheten.

OPPSETTET KAN VARIERE



Å tilbake stille fjernkontrollen kan være nødvendig dersom apparatet fungerer feilaktig på grunn av eksterne interferens-signaler og fjernkontrollen ikke er i bruk.

Åpne det bakre dekslet på fjernkontrollen.

Trykk på tilbakestillings-knappen i 3 sekunder og tilbake still kodingen.




Código de aviso

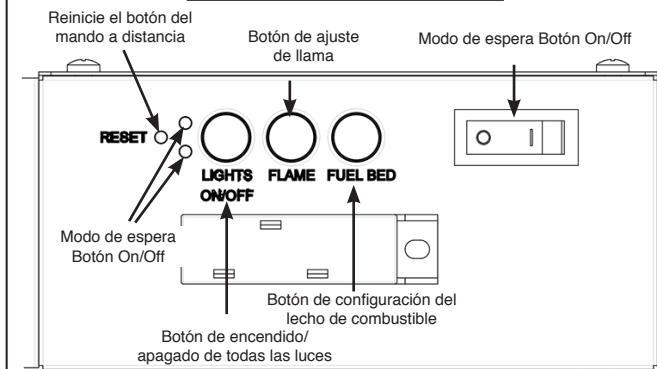
Las siguientes operaciones deben llevarse a cabo antes de codificar el nuevo mando a distancia, o la no se podrá controlar con el mando:

El botón de reinicio está situado en el panel de control a la derecha del visor, consulte el diagrama.

- 16.1 Pulse el botón de reinicio durante 3 segundos (puede que necesite la punta de un bolígrafo) hasta que suenen 3 pitidos cortos y luego suelte el botón.

En 10 segundos, presione el botón  en el mando a distancia. La codificación termina cuando suena un largo pitido.

LAS POSICIONES PUEDEN VARIAR



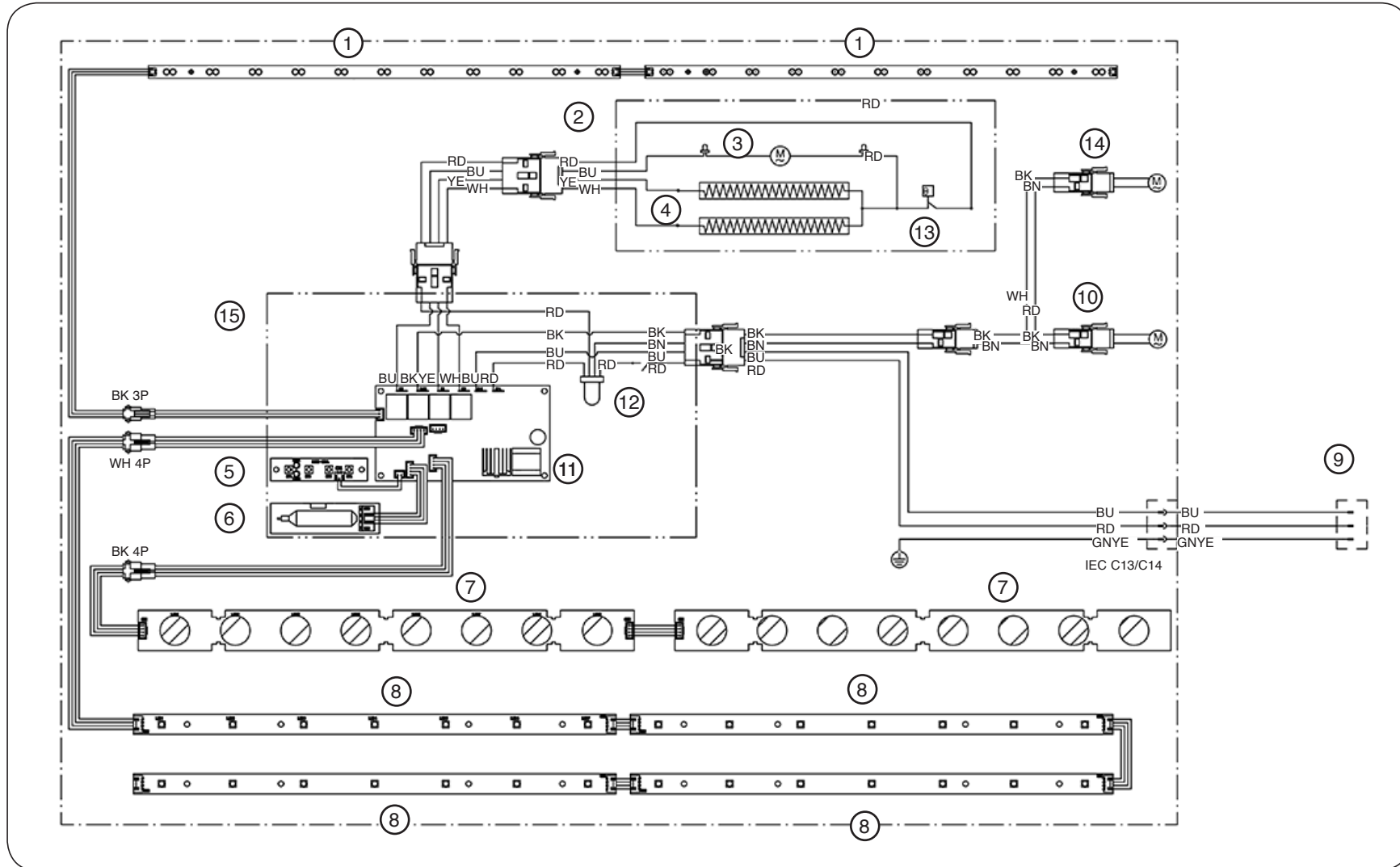
El reinicio del mando es necesario si el aparato funciona incorrectamente debido a una señal de interferencia externa y el mando a distancia no está en uso.

Abra la cubierta posterior del mando.

Pulse el botón de reinicio durante 3 segundos y reinicia la codificación.



Wiring Diagram/ Schéma de câblage/ Bedradingschema/ Schema di cablaggio/ Koblingsdiagram/ Esquema De Cableado



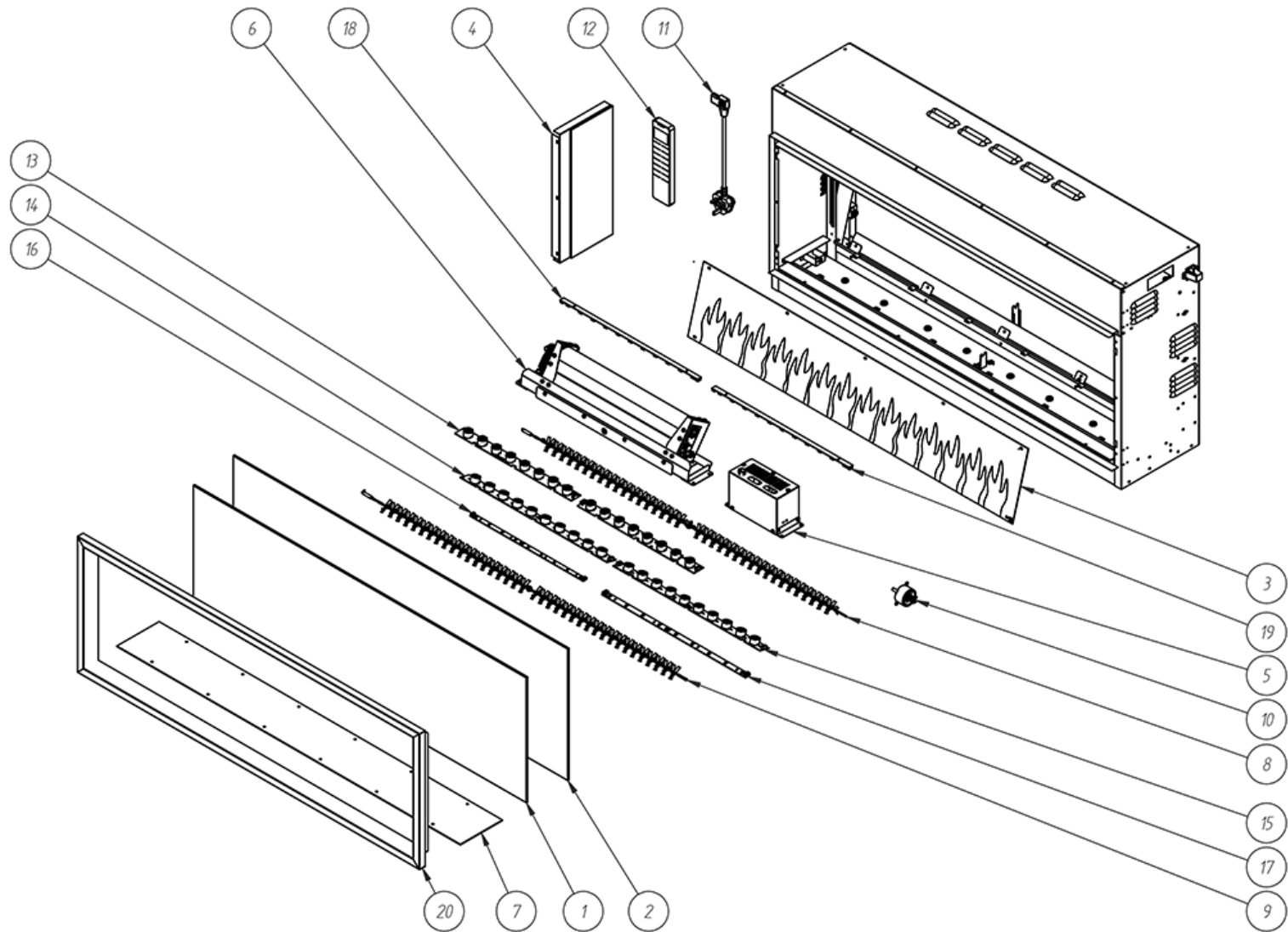
Wiring Diagram/ Schéma de câblage/ Bedradingschema/ Schema di cablaggio/ Koblingsdiagram/ Esquema De Cableado

No.	English	Français	Nederlands	Italiano	Norsk	Español
1	Top Light LED Board	Panneau à LED de la lampe supérieure	Bovenlicht LED-paneel	Scheda luminosa LED superiore	Øvre lys LED-kort	Panel superior de luces LED
2	Heater Unit	Unité de chauffage	Verhittereenheid	Unità riscaldatore	Varmeenhet	Calefactor
3	Fan Motor	Moteur du ventilateur	Ventilatoreenheid	Motore ventola	Viftemotor	Motor del ventilador
4	Heater Element	Élément chauffant	Verwarmingselement	Elemento del riscaldatore	Varmeelement	Elemento calefactor
5	Button Board	Panneau de boutons	Knoppenpaneel	Scheda pulsanti	Knapp-kort	Placa de botones
6	Receiver Board	Panneau du récepteur	Ontvangstpaneel	Ricevitore	Mottager-kort	Receptor
7	Flame Effect LED Board	Panneau à LED des effets de flamme	Vlameffect LED-paneel	Pannello di LED dell'effetto fiamma	Flamme-effekt LED-kort	Panel de luces LED del efecto de llama
8	Fuel Effect LED Board	Panneau à LED des effets du lit de combustible	Brandstofbed LED-paneel	Pannello di LED dell'effetto combustibile	Brenseffekt LED-kort	Panel de luces LED del efecto de combustible
9	Plug Connector Incoming AC Supply: 230V 50Hz required	Connecteur de prise Alimentation CA; 230V 50Hz	Plugverbinding AC-voeding 230V 50Hz	Connettore della spina Alimentazione AC 230v 50Hz	Stikkontakt strømforsyning: 230v 50Hz	Conector Alimentación CA: 230v 50Hz
10	Flame Effect Motor	Flamme Moteur des effets	Vlam Effectenmotor	Motore della fiamma	Flamme Effektmotor	Motor del efecto de llama
11	P.C.B.	Circuit imprimé	P.C.B.	P.C.B.	Hovedkretskort	P.C.B.
12	On/Off	On/Off	Aan/Uit	On/Off	På/Av	Encendido/apagado
13	Thermostat	Thermostat	Thermostaat	Termostato	Termostat	Termostato
14	Fuel Effect Motor	Combustible Moteur des effets	Brandstof Effectenmotor	Combustibile Motore effetto	Brensel Effektmotor	Motor del efecto de combustible
15	Power Unit	Bloc d'alimentation	Stroomeenheid	Unità di alimentazione	Strømenhet	Unidad de alimentación

Colour Codes/ Codes couleur/ Kleurcodes/ Fargekoder/ Códigos de colores						
	English	Français	Nederlands	Italiano	Norsk	Español
RD	RED	ROUGE	ROOD	ROSSO	RØD	ROJO
BU	BLUE	BLEU	BLAUW	BLU	BLÅ	AZUL
YE	YELLOW	JAUNE	GEEL	GIALLO	GUL	AMARILLO
WH	WHITE	BLANC	WIT	BIANCO	HVIT	BLANCO
BK	BLACK	NOIR	ZWART	NERO	SVART	NEGRO
BN	BROWN	MARRON	BRUIN	MARRONE	BRUN	MARRÓN
GNYE	GREEN & YELLOW	VERT & JAUNE	GROEN & GEEL	VERDE E GIALLO	GRØNN OG GUL	VERDE Y AMARILLO

EN: The number of LED Boards varies depending on the model
FR: Le nombre de chambres LED varie selon le modèle
NL: Het aantal LED-Borden afhankelijk van het model
IT: Il numero delle commissioni LED varia a seconda del modello
NO: Antallet LED Boards varierer avhengig av modell
ES: El número de consejos LED varía en función del modelo

Spare Parts List/ Liste Des Principales Pièces De Rechange/ Lijst Standaard Reserve Onderdelen/
Listino Prezzi Dei Ricambi/ Reservedelsliste/ Relación De Repuestos



Spare Parts List/ Liste Des Principales Pièces De Rechange/ Lijst Standaard Reserve Onderdelen/
Listino Prezzi Dei Ricambi/ Reservedeliste/ Relación De Repuestos

No.	55R			75R			85R			105R			135R			195R		
	Part Code	LED	Qty.	Part Code	LED	Qty.	Part Code	LED	Qty.	Part Code	LED	Qty.	Part Code	LED	Qty.	Part Code	LED	Qty.
1	CE2006		1	CE2008		1	CE1891		1	CE1892		1	CE1893		1	CE1894		1
2	CE2007		1	CE2009		1	CE1897		1	CE1898		1	CE1899		1	CE1900		1
3	PL0220		1	PL0221		1	PL0195		1	PL0196		1	PL0197		1	PL0198		1
4	GZ15365		2	GZ15366		2	GZ14632		2	GZ14632		2	GZ14632		2	GZ14632		2
5	EL0778		1	EL0711		1	EL0711		1	EL0711		1	EL0711		1	EL0711		1
6	EL0779		1	EL0779		1	EL0792		1	EL0792		1	EL0792		1	EL0792		1
7	PL0224		1	PL0225		1	PL0201		1	PL0202		1	PL0203		1	PL0204		1
8	EL0795		1	EL0796		1	EL0700		1	EL0701		1	EL0702		1	EL0703		1
9	EL0793		1	EL0794		1	EL0706		1	EL0707		1	EL0708		1	EL0709		1
10	EL0713		2	EL0713		2	EL0713		2	EL0713		2	EL0713		2	EL0713		2
11	EU: EL0542 UK: EL0714		1	EU: EL0542 UK: EL0714		1	EU: EL0542 UK: EL0714		1	EU: EL0542 UK: EL0714		1	EU: EL0542 UK: EL0714		1	EU: EL0542 UK: EL0714		1
12	EL0678		1	EL0678		1	EL0678		1	EL0678		1	EL0678		1	EL0678		1
13	EL0723	RC07-180B	1	EL0718	RC07-157A	1	EL0718	RC07-157A	1	EL0720	RC07-167B	1	EL0718	RC07-157A	1	EL0720	RC07-167B	1
14	-		-	EL0722	RC07-193A	-	EL0722	RC07-193A	1	EL0721	RC07-191A	1	EL0722	RC07-193A	1	EL0721	RC07-191A	1
15	-		-	-		-	-		-	-		-	EL0719	RC07-167A	1	EL0719		2
16	EL0725	RC07-169A	2	EL0727	RC07-137A	4	EL0727	RC07-137A	4	EL0726	RC07-125A	4	EL0726	RC07-125A	2	EL0726	RC07-125A	8
17	-		-	-		-	-		-	-		-	EL0727	RC07-137A	4	-		-
18	EL0716	RC07-168A	1	EL0717	RC07-179A	2	EL0715	RC07-192A	2	EL0716	RC07-168A	2	EL0716	RC07-168A	1	EL0716	RC07-168A	4
19	-		-	-		-	-		-	-		-	EL0715	RC07-192A	2	-		-
20	GZ15367		1	GZ15368		1	GZ14628		1	GZ14629		1	GZ14630		1	GZ14630		1

Information Requirement for Electric Local Space Heaters
Informations à fournir pour un appareil de chauffage électrique localisé

Model		eReflex Inset 55R	eReflex Inset 75R	eReflex Inset 85R	eReflex Inset 105R	eReflex Inset 135R	eReflex Inset 195R
Heat Output Puissance calorifique	Nominal Heat Output - P_{nom} Puissance calorifique nominale - P_{nom}	2.0kW	2.0kW	2.0kW	2.0kW	2.0kW	2.0kW
	Minimum Heat Output - P_{min} Puissance calorifique minimale - P_{min}	1.0kW	1.0kW	1.0kW	1.0kW	1.0kW	1.0kW
	Maximum Continuous Heat Output - $P_{max,c}$ Sortie de chauffage constante maximum - $P_{max,c}$	2.0kW	2.0kW	2.0kW	2.0kW	2.0kW	2.0kW

Auxiliary Electricity Consumption Consommation électrique auxiliaire	At Nominal Heat Output - eI_{max} À la puissance calorifique nominale - eI_{max}	12.5W	12.5W	12.5W	12.5W	12.5W	12.5W
	At Minimum Heat Output - eI_{min} À la puissance calorifique minimale - eI_{min}	12.0W	12.0W	12.0W	12.0W	12.0W	12.0W
	In Standby Mode - eI_{sb} En mode veille - eI_{sb}	0.49W	0.49W	0.49W	0.49W	0.49W	0.49W

Type of heat input, for electric storage local space heaters only
Type d'apport de chaleur, uniquement pour les appareils de chauffage électriques localisés

Manual heat charge control, with integrated thermostat Commande manuelle de charge de chaleur avec thermostat intégré	No Non	No Non	No Non	No Non	No Non	No Non
Manual heat charge control with room and/or outdoor temperature feedback Commande manuelle de charge de chaleur avec retour de température de la pièce et/ou extérieure	No Non	No Non	No Non	No Non	No Non	No Non
Electronic heat charge control with room and/or outdoor temperature feedback Commande électronique de charge de chaleur avec retour de température de la pièce et/ou extérieure	No Non	No Non	No Non	No Non	No Non	No Non
Fan assisted heat output Puissance calorifique assistée par ventilateur	No Non	No Non	No Non	No Non	No Non	No Non

* Ikke aktuelt for Norge

Information Requirement for Electric Local Space Heaters
Informations à fournir pour un appareil de chauffage électrique localisé

Type of heat output/room temperature control Type de puissance calorifique/régulation de température ambiante						
Single stage heat output and no room temperature control Puissance calorifique de niveau unique, pas de régulation de la température ambiante	No Non	No Non	No Non	No Non	No Non	No Non
Two or more manual stages, no room temperature control Au moins deux niveaux manuels, pas de régulation de la température ambiante	No Non	No Non	No Non	No Non	No Non	No Non
With mechanic thermostat room temperature control Avec régulation de la température ambiante par thermostat mécanique	No Non	No Non	No Non	No Non	No Non	No Non
With electronic room temperature control Avec régulation électronique de la température ambiante	No Non	No Non	No Non	No Non	No Non	No Non
Electronic room temperature control plus day timer Avec régulation électronique de la température ambiante plus minuteur jour	No Non	No Non	No Non	No Non	No Non	No Non
Electronic room temperature control plus week timer Avec régulation électronique de la température ambiante plus minuteur semaine	Yes Oui	Yes Oui	Yes Oui	Yes Oui	Yes Oui	Yes Oui

Other control options Autres options de commande						
Room temperature control, with presence detection Régulation de la température ambiante, avec détection de présence	No Non	No Non	No Non	No Non	No Non	No Non
Room temperature control, with open window detection Régulation de la température ambiante, avec détection de fenêtre ouverte	Yes Oui	Yes Oui	Yes Oui	Yes Oui	Yes Oui	Yes Oui
With distance control option Avec option de commande à distance	No Non	No Non	No Non	No Non	No Non	No Non
With adaptive start control Avec commande de mise en route adaptive	No Non	No Non	Yes Oui	Yes Oui	Yes Oui	Yes Oui
With working time limitation Avec restriction de durée d'utilisation	No Non	No Non	No Non	No Non	No Non	No Non
With black bulb sensor Avec capteur bulbe noir	No Non	No Non	No Non	No Non	No Non	No Non

Contact:	Gazco Ltd, Osprey Road, Sowton Industrial Estate, Exeter, EX2 7JG
-----------------	---

Informatie-eisen voor elektrische toestellen voor lokale ruimteverwarming/ Informazioni obbligatorie per gli apparecchi per il riscaldamento d'ambiente locale elettrici/
Requisitos de información que deben cumplir los aparatos de calefacción local eléctricos

Model Modello		eReflex Inset 55R	eReflex Inset 75R	eReflex Inset 85R	eReflex Inset 105R	eReflex Inset 135R	eReflex Inset 195R
Warmteafgifte Potenza termica Potencia calorífica	Nominale warmteafgifte - P_{nom} Potenza termica nominale - P_{nom} Potencia calorífica nominal - P_{nom}	2.0kW	2.0kW	2.0kW	2.0kW	2.0kW	2.0kW
	Minimale warmteafgifte - P_{min} Potenza termica minima (indicativa) - P_{min} Potencia calorífica mínima (indicativa) - P_{min}	1.0kW	1.0kW	1.0kW	1.0kW	1.0kW	1.0kW
	Maximale continue warmteproductie - $P_{max, c}$ Massima potenza termica continua - $P_{max, c}$ Potencia calorífica máxima continuada - $P_{max, c}$	2.0kW	2.0kW	2.0kW	2.0kW	2.0kW	2.0kW
Aanvullend elektricitetsverbruik Consumo ausilio rio di energia elettrica Consumo auxiliar de electricidad	Bij nominale warmteafgifte - eI_{max} Alla potenza termica nominale - eI_{max} A potencia calorífica nominal - eI_{max}	12.5W	12.5W	12.5W	12.5W	12.5W	12.5W
	Bij minimale warmteafgifte - eI_{min} Alla potenza termica minima - eI_{min} A potencia calorífica mínima - eI_{min}	12.0W	12.0W	12.0W	12.0W	12.0W	12.0W
	In stand-by-modus - eI_{sb} In modo stand-by - eI_{sb} En modo de espera - eI_{sb}	0.49W	0.49W	0.49W	0.49W	0.49W	0.49W

Type warmte-input, uitsluitend voor elektrische warmteopslagtoestellen
Tipo di potenza termica, solo per gli apparecchi per il riscaldamento d'ambiente locale elettrici ad accumulazione
Tipo de aportación de calor, únicamente para los aparatos de calefacción local eléctricos de acumulación

Handmatige sturing van de warmteopslag, met geïntegreerde thermostaat Controllo manuale del carico termico, con termostato integrato Control manual de la carga de calor, con termostato integrado	Nee No No	Nee No No	Nee No No	Nee No No	Nee No No	Nee No No
Handmatige sturing van de warmteopslag, met kamer- en/of buitentemperatuurfeedback Controllo manuale del carico termico con riscontro della temperatura ambiente e/o esterna Control manual de la carga de calor con respuesta a la temperatura interior o exterior	Nee No No	Nee No No	Nee No No	Nee No No	Nee No No	Nee No No
Elektronische sturing van de warmteopslag, met kamer- en/of buitentemperatuurfeedback Controllo elettronico del carico termico con riscontro della temperatura ambiente e/o esterna Control electrónico de la carga de calor con respuesta a la temperatura interior o exterior	Nee No No	Nee No No	Nee No No	Nee No No	Nee No No	Nee No No
Door een ventilator bijgestane warmteafgifte Potenza termica assistita da ventilatore Potencia calorífica asistida por ventiladores	Nee No No	Nee No No	Nee No No	Nee No No	Nee No No	Nee No No

* Ikke aktuelt for Norge

Informatie-eisen voor elektrische toestellen voor lokale ruimteverwarming
Informazioni obbligatorie per gli apparecchi per il riscaldamento d'ambiente locale elettrici

Type warmteafgifte/sturing kamertemperatuur/ Tipo di potenza termica/controllo della temperatura ambiente/ Tipo de control de potencia calorífica/de temperatura interior						
Eentrapswarmteafgifte, geen sturing van de kamertemperatuur Potenza termica a fase unica senza controllo della temperatura ambiente Potencia calorífica de un solo nivel, sin control de temperatura interior	Nee No No	Nee No No	Nee No No	Nee No No	Nee No No	Nee No No
Twee of meer handmatig in te stellen trappen, geen sturing van de kamertemperatuur Due o più fasi manuali senza controllo della temperatura ambiente Dos o más niveles manuales, sin control de temperatura interior	Nee No No	Nee No No	Nee No No	Nee No No	Nee No No	Nee No No
Met mechanische sturing van de kamertemperatuur door thermostaat Con controllo della temperatura ambiente tramite termostato meccanico Con control de temperatura interior mediante termostato mecánico	Nee No No	Nee No No	Nee No No	Nee No No	Nee No No	Nee No No
Met elektronische sturing van de kamertemperatuur Con controllo elettronico della temperatura ambiente Con control electrónico de temperatura interior	Nee No No	Nee No No	Nee No No	Nee No No	Nee No No	Nee No No
Met elektronische sturing van de kamertemperatuur plus dag-tijdschakelaar Con controllo elettronico della temperatura ambiente e temporizzatore giornaliero Control electrónico de temperatura interior y temporizador diario	Nee No No	Nee No No	Nee No No	Nee No No	Nee No No	Nee No No
Met elektronische sturing van de kamertemperatuur plus week-tijdschakelaar Con controllo elettronico della temperatura ambiente e temporizzatore settimanale Control electrónico de temperatura interior y temporizador semanal	Ja Sì Sí	Ja Sì Sí	Ja Sì Sí	Ja Sì Sí	Ja Sì Sí	Ja Sì Sí

Andere sturingsopties/ Altre opzioni di controllo/ Otras opciones de control						
Sturing van de kamertemperatuur, met aanwezigheidsdetectie Controllo della temperatura ambiente con rilevamento di presenza Control de temperatura interior con detección de presencia	Nee No No	Nee No No	Nee No No	Nee No No	Nee No No	Nee No No
Sturing van de kamertemperatuur, met openraamdetectie Controllo della temperatura ambiente con rilevamento di finestre aperte Control de temperatura interior con detección de ventanas abiertas	Ja Sì Sí	Ja Sì Sí	Ja Sì Sí	Ja Sì Sí	Ja Sì Sí	Ja Sì Sí
Met de optie van afstandsbediening Con opzione di controllo a distanza Con opción de control a distancia	Nee No No	Nee No No	Nee No No	Nee No No	Nee No No	Nee No No
Met adaptieve sturing van de start Con controllo di avviamento adattabile Con control de puesta en marcha adaptable	Ja Sì Sí	Ja Sì Sí	Ja Sì Sí	Ja Sì Sí	Ja Sì Sí	Ja Sì Sí
Met beperking van de werkingstijd Con limitazione del tempo di funzionamento Con limitación de tiempo de funcionamiento	Nee No No	Nee No No	Nee No No	Nee No No	Nee No No	Nee No No
Met black-bulbsensor Con termometro a globo nero Con sensor de lámpara negra	Nee No No	Nee No No	Nee No No	Nee No No	Nee No No	Nee No No

Contact/ Contatti:	Gazco Ltd, Osprey Road, Sowton Industrial Estate, Exeter, EX2 7JG
---------------------------	---

* Ikke aktuelt for Norge

Gazco Limited, Osprey Road, Sowton Industrial Estate, Exeter, Devon, England EX2 7JG

Technical Customer Services (01392) 261950 Fax: (01392) 261951

E-mail: technicalservices@gazco.com

A member of the Stovax Group
Translated from English Issue 7

