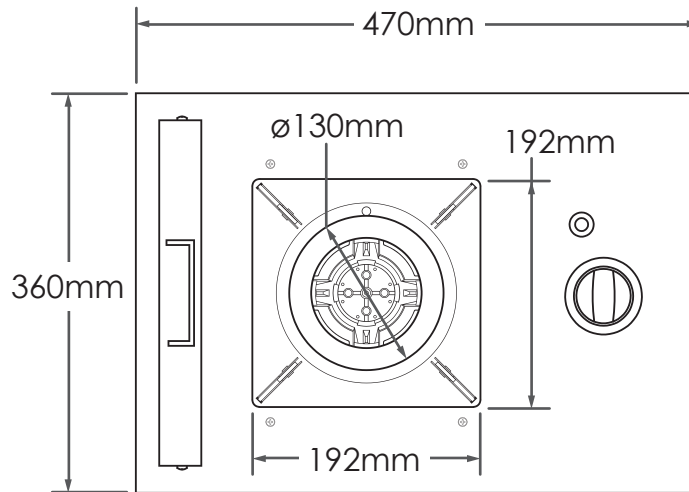
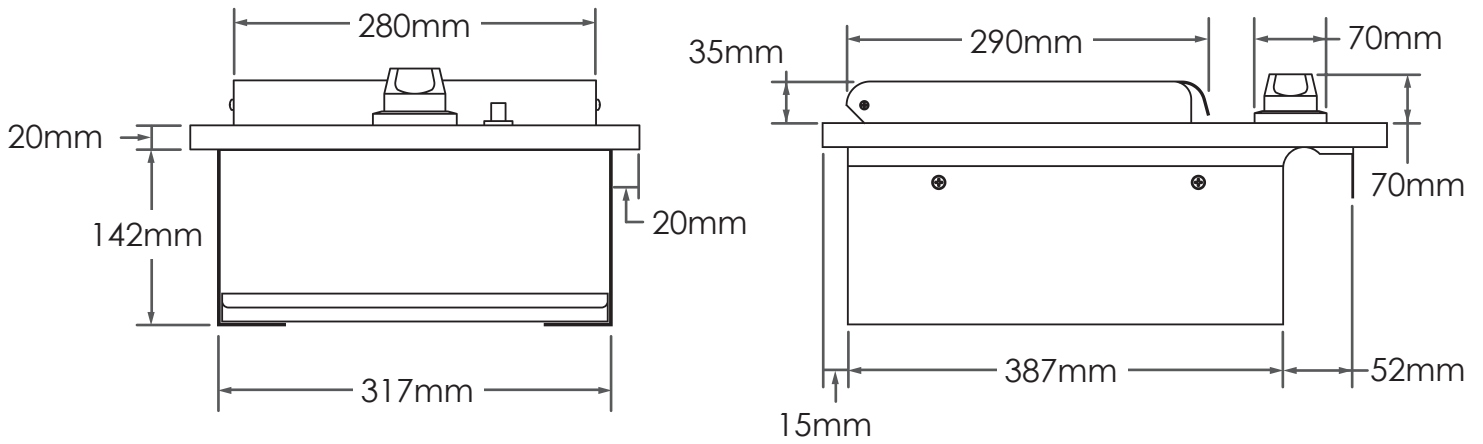




**TUCKER**  
BARBECUES

## S WOK DIMENSIONS



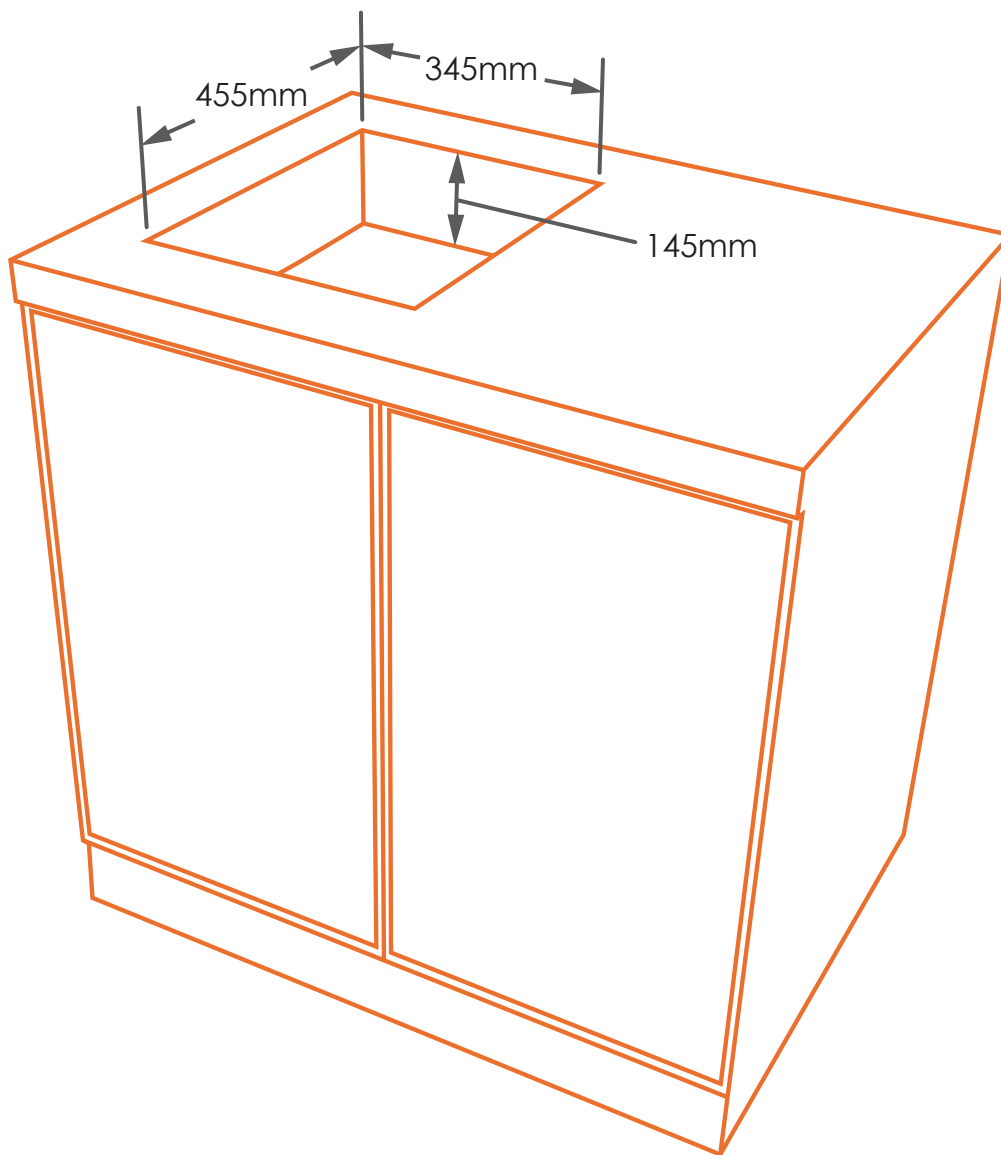
**Minimum clearance to combustible material surrounding the S Wok body are:**

200mm to the side walls.  
200mm to the rear wall.  
800mm above the cooking surface.

**Minimum clearance to a combustible wall above the cooking surface for an S Wok are:**

100mm to the side walls.  
100mm to the rear wall.  
800mm above the cooking surface.

## S WOK CUT-OUT DIMENSIONS FOR NON-COMBUSTIBLE MATERIAL SURROUND



### Tucker S Woks are for outdoor use only

**Please Note:** Dimensions to be used as a guide only. All Customers MUST refer to the user manual supplied with the product for detailed installation instructions.

Please allow sufficient Clearance to combustibles; Please do not block any airways or vents.

Sizes correct at time of printing. Measurements are subject to change. Tucker Barbecues is not liable for any changes to sizes of S Woks.