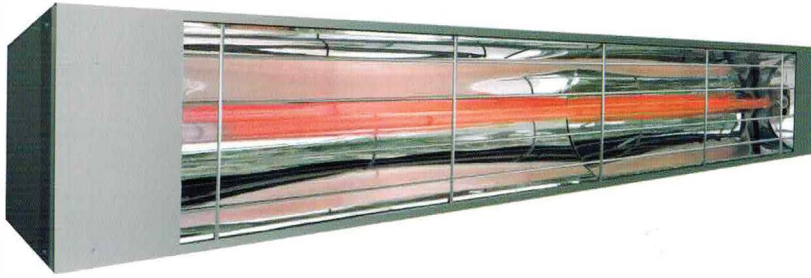


316 MARINE GRADE ARCHITECTURAL SERIES



Tucker's new Architectural Series heaters are the world leaders in electric outdoor strip heating.

Made from the highest quality 316 marine grade stainless steel, the 'A' Series Range are designed to last in the harshest environments from the beaches to the snow fields and boast to be the only true marine grade heaters available.

The 'A' Series Range of heaters are available in two lengths a compact 1095mm or a larger 1650mm length. With heating elements from 2 kilowatts - 6 kilowatts the range has been designed to heat the smallest to the most demanding outdoor areas with ease and flexibility.

Installation has been made easy with our fully adjustable stainless steel mounting track and bracket system. This enables the installer to have full flexibility when installing the mounting brackets. The A Series stainless steel body is fully insulated thus reducing the chance of heat damaging painted or timber finishes behind the heaters and also allowing flexibility for the installer.

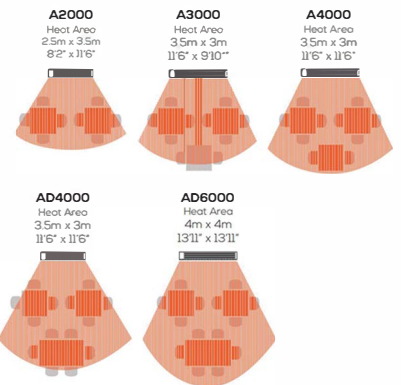
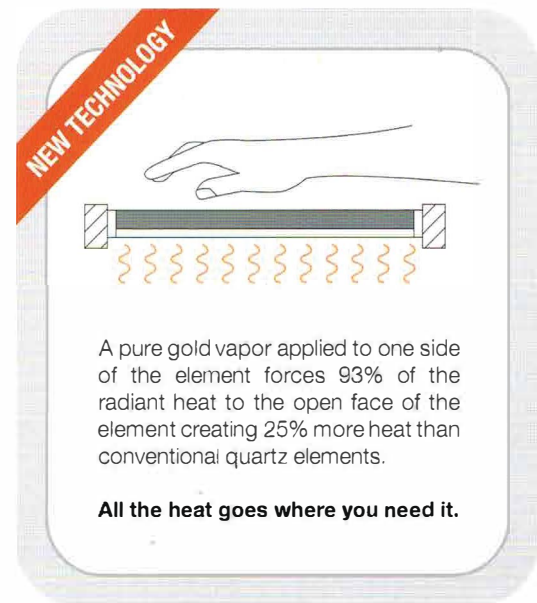
Designed to deliver greater efficiencies from there carbon sprung elements the A Series heaters are getting up to 90% efficiency from the energy used. Even the smallest A 2000 unit will heat up to 9 square metres and the larger A6000 models will heat up to 16 square metres. This makes the A Series range of heaters the best available in this class of heating.

Running costs start from a low 50 cents per hour for the 2 kilowatt A2000 model and a mere \$1.50 per hour from the 6kw, A6000 model.

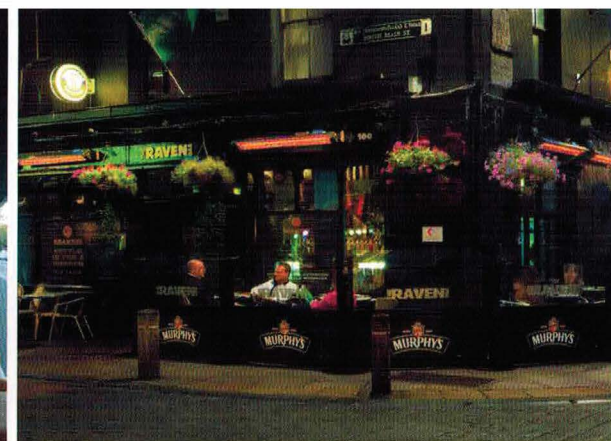
Model	Energy	Length	Bulb type	Est. Peak Cost (Avg. 30 cents/kwh)
A2000	2kw 10 amp	1095mm	Single	60 c/hr
A3000	3kw 12.5 amp	1650mm	Single	90 c/hr
A4000	4kw 17.5 amp	1650mm	Single	\$1.20/hr
AD4000	4kw 20 amp	1095mm	Double	\$1.20 /hr
AD6000	6kw 25 amp	1650mm	Double	\$1.80 /hr

NEW
2ND GENERATION
DIRECTIONAL QUARTZ ELEMENT

NEW
25% MORE HEAT
REDUCED ENERGY COST



* Heat areas dependent on ambient temperature, wind and height placement of the heater. Table layout is only indicative.

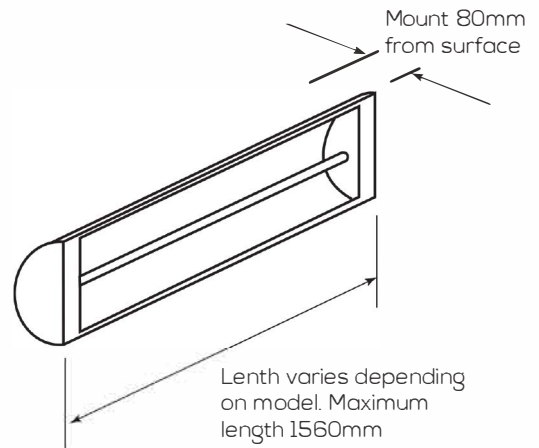




INSTALLATION GUIDE

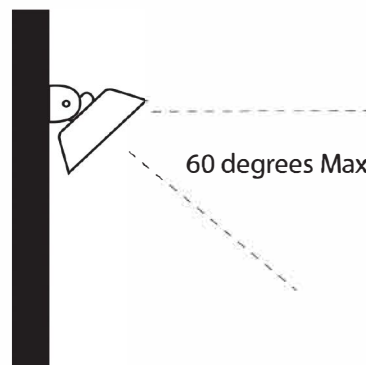
The following information is supplied to assist in the installation of quartz tube radiant heaters manufactured by Alfresco Spaces Ltd. a qualified electrician must always install heaters.

Always install units horizontally and maintain minimum clearances from combustible materials.

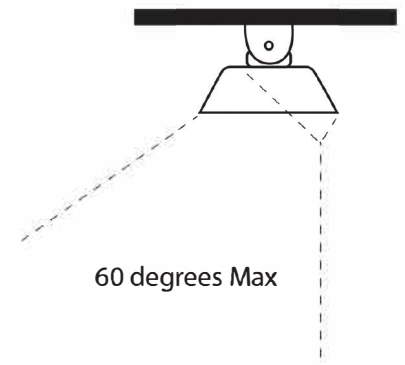


Wall/ceiling brackets are supplied. Heater must always be installed horizontally, it can then be rotated to a maximum of 60 degrees (45 degrees is recommended).

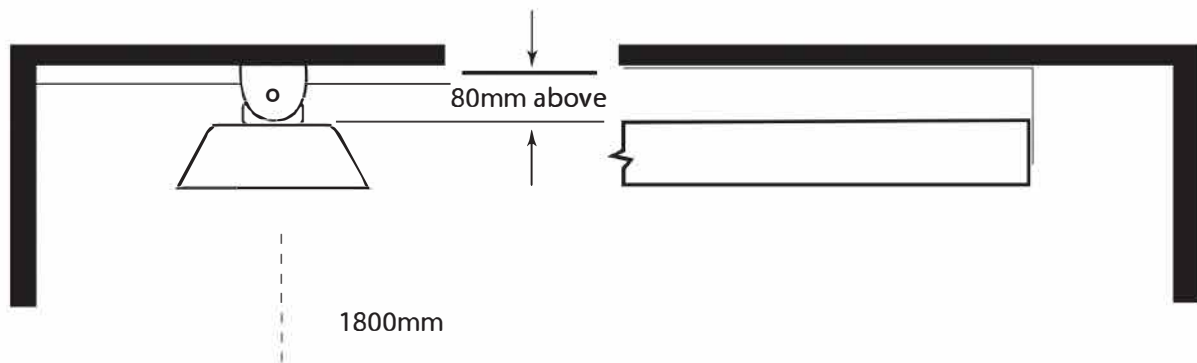
WALL MOUNTED



CEILING MOUNTED

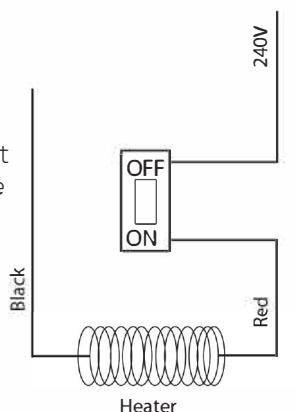


Always maintain minimum clearances from heater body to combustible material. Heater must be installed horizontally.

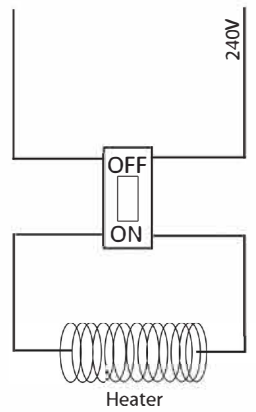


ALL INSTALLATIONS MUST BE COMPLETED BY A QUALIFIED ELECTRICIAN.

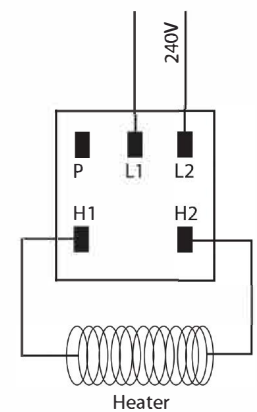
Typical 240 volt wiring for single Pole switch



Typical 240 volt wiring for double Pole switch



Wiring for optional 240 volt controller. "Top" marked on rear of control must be installed in "up" position. Control max load 15 amps.





ELEMENT INSTALLATION

Step 1: Check UL/CE label on heater for proper voltage.

Step 2: Remove two end reflectors.

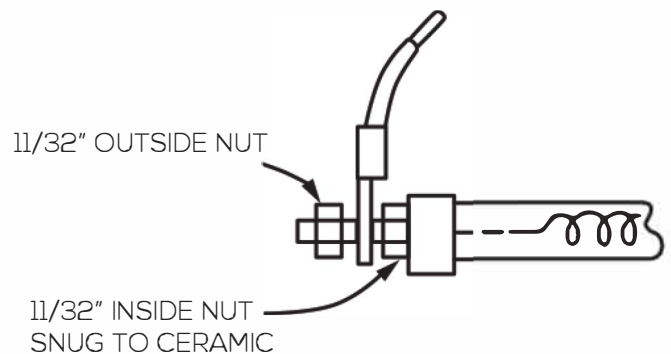
Step 3: Open element clips at each end of the heater and carefully install the quartz tube. Remove one nut from end of element. Slip on wire over element screw. Replace nut.

NOTE: Hold element ceramic firmly while tightening nut to prevent damage to element. Nut should be tightened snug, a loose connection can cause element to short or fail. Connect other side of element in like manner. Close element clips over tube.

Step 4: Replace end reflectors.

Step 5: If necessary, clean tube and reflector with alcohol or equivalent.

Step 6: Snap on protective grill provided.



This appliance is not intended for use by young children or infirm persons unless they are adequately supervised by a responsible person to ensure that they can use this appliance safely.

Young children should be adequately supervised to ensure they do not play with this appliance.

A means for disconnection of this appliance must be incorporated in the XED wiring in accordance with electrical wiring Codes of Practice and Electricity Regulations.

This appliance must not be located immediately below a socket outlet.

This appliance must be installed 1800mm above floor level.

WARNING. SOURCE OF POSSIBLE IGNITION.

Never block front heater.

Do not install or operate heater close to combustible materials.

The front of the heater must not be installed closer than 650mm from vertical surfaces.

SOURCE OF POSSIBLE ELECTRIC SHOCK

Never attempt to service appliance without disconnecting power supply.

Appliance must be installed and serviced by persons with appropriate qualification.

Install heater using stainless steel brackets provided.

Use 25 x 5mm stainless steel fasteners appropriate to structural material heater is attached to.

To clean reflector isolate power supply, remove grill and clean alloy reflector with soft dry cloth. If heater has been in use wait until it has fully cooled down before commencing cleaning. Replace grille on completion.