



## City Series® Zero Clearance Direct Flue Gas Fireplace

### Owners & Installation Manual



#### LISTINGS AND CODE APPROVALS

These gas appliances have been tested in accordance with AS/NZS 5263.0 & AS/NZS 5263.1.8:2016 and have been certified by IAPMO for installation and operation as described in these Installation and Operating Instructions.

Must be installed as per AS/NZS5601.

**Your unit should be serviced annually by an authorised service person.**

[www.regency-fire.com.au](http://www.regency-fire.com.au)

**STYLE**  
Three sided

**MODEL**  
ACB40ENG / ACB40ELP / ACB40EULPG

#### **Warning**

#### **Fire or explosion Hazard**

failure to follow safety warnings exactly could result in serious injury, death, or property damage.

PRIMARILY A DECORATIVE AND NOT A HEATING APPLIANCE.

DO NOT MODIFY THIS APPLIANCE.

- Do not store or use gasoline or other flammable vapors and liquids in the vicinity of this or any other appliance.

#### - WHAT TO DO IF YOU SMELL GAS

- Do not try to light any appliance.
- Do not touch any electrical switch: do not use any phone in your building. Leave the building immediately.
- Immediately call your gas supplier from a neighbour's phone. Follow the gas supplier's instructions.
- If you cannot reach your gas supplier, call the fire department.

- Installation and service must be performed by a qualified installer, service agency or the gas supplier.

*Installer:* Please complete the details on the back cover and leave this manual with the homeowner.

*Homeowner:* Please keep these instructions for future reference.

# safety decal

This is a copy of the label that accompanies Direct Flue Gas Fireplace. We have printed a copy of the contents here for your review. The safety label is located on the front inside base of the unit, visible when the outer front panel is removed.

NOTE: Regency® units are constantly being improved. Check the label on the unit and if there is a difference, the label on the unit is the correct one.

## Copy of Data Badge

Regency Gas Fireplace				
Gas Type	NG	Propane	ULPG	
Model	<input type="radio"/> ACV40ENG <input type="radio"/> ACB40ENG	<input type="radio"/> ACV40ELP <input type="radio"/> ACB40ELP	<input type="radio"/> ACV40EULPG <input type="radio"/> ACB40EULPG	
Gas Consumption High	30 MJ/h	30 MJ/h	24 MJ/h	
Gas Consumption Low	17.1 MJ/h	16.0 MJ/h	11.7 MJ/h	
Supply Pressure (Min.)	1.13 kPa	2.75 kPa	2.75 kPa	
Manifold Pressure High	0.96 kPa	2.60 kPa	2.60 kPa	
Manifold Pressure Low	0.30 kPa	0.70 kPa	0.63 kPa	
Injector Size	2.40 mm	1 x #53 1.51 mm	1 x #54 1.39 mm	
Approval No. GMK10594 AS/NZS 5263.0 & AS/NZS 5263.1.8				
Electrical: 240V 50/60 Hz <small>920-215</small>		PRIMARILY A DECORATIVE AND NOT A HEATING APPLIANCE		Distributed by: Western Australia: <b>Air Group Australia</b> 28 Division St Welshpool, WA 6106 Eastern Australia <b>Fireplace Products</b> Australia Pty. Ltd. 1 Conquest Way Hallam, VIC 3803 New Zealand <b>Aber Holdings</b> 17 Main Street Place Te Rapa, HA 3200 To be installed by an authorised person in accordance with installation instructions provided with the appliance.
				Serial Number <b>527</b>



**DO NOT** OPERATE THIS APPLIANCE BEFORE READING THE INSTRUCTIONS BOOKLET.

**DO NOT** PLACE ARTICLES ON OR AGAINST THIS APPLIANCE

**DO NOT** STORE CHEMICALS OR FLAMMABLE MATERIALS NEAR THIS APPLIANCE.

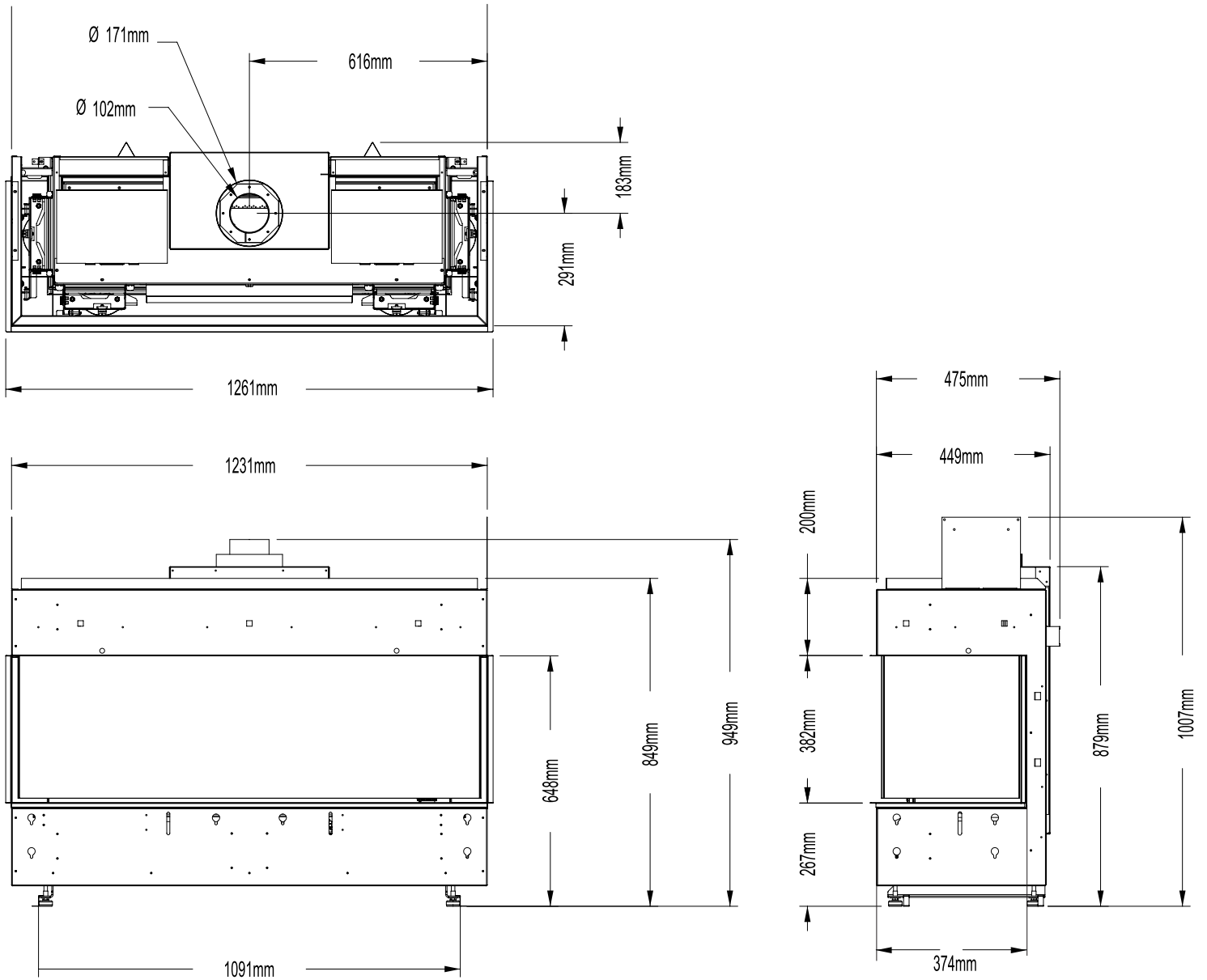
**DO NOT** OPERATE WITH PANELS, COVERS OR GUARDS REMOVED FROM THIS APPLIANCE.

908-602c

**THE GUARD IS FITTED TO THIS APPLIANCE TO REDUCE THE RISK OF FIRE OR INJURY FROM BURNS AND NO PART OF IT SHOULD BE PERMANENTLY REMOVED.**

**FOR PROTECTION OF YOUNG CHILDREN OR THE INFIRM, A SECONDARY GUARD IS REQUIRED.**

Dimensions



Note: Height Dimension may vary depending on the height of the leveling legs.

**Note: These units are non-load bearing.**

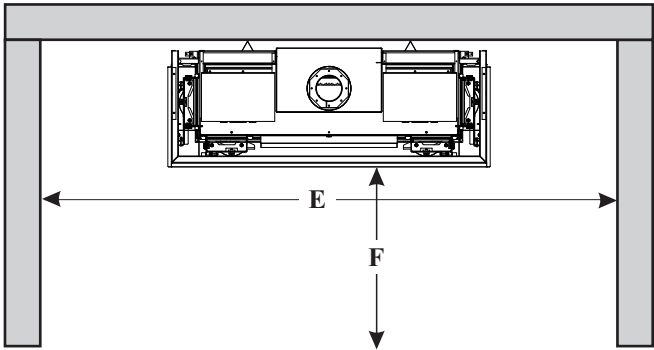
Clearances

Clearance: 3 sided	Dimension	Measured From:
A: From Floor	Min. 0mm	Bottom of Fireplace Opening
A1 : Mantel Height (min.)	**	Top of Fireplace Opening
B: Sidewall (on one side)	216mm	Side of Fireplace Opening
C: Enclosure Width (min.)	1230mm	Minimum inside dimensions
D: Mantel Depth (max.)	**	
E: Alcove Width	2134mm	Side wall to side wall (min.)
F: Alcove Depth	914mm	Front of Unit
G: To Enclosure Ceiling (min/max)	76mm	From top of enclosure
H: Convection Air outlet	306sq cm (min)	* Top/front or side of enclosure
I: Enclosure Depth (min.)	483mm	Minimum inside dimensions
J: Opening Height	383mm	Bottom/Top of Fireplace Opening
K: To Ceiling (min) All 3 sides	38mm	To Top of Ceiling
L: Chase Enclosure (min.)	1600mm	From base of unit/floor
M: Clearance to sprinkler head (Min.)	914mm	Perpendicular from chase grill
Hearth	0mm	No hearth required

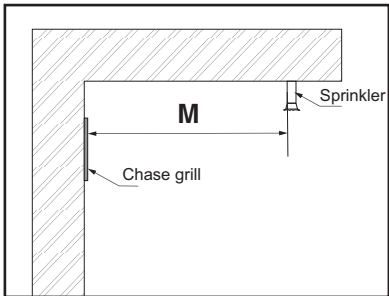
\*\* See mantel clearances chart in this manual

Flue Clearances to Combustibles	
Horizontal - Top	76mm
Horizontal - Side	51mm
Horizontal - Bottom	51mm
Vertical	51mm
Passing through wall/floor/ceiling - when firestop is used.	38mm

\* A minimum of 774 square centimetres of open area, not lower than 76mm from top of enclosure, required for all installations — this can be achieved by having an open area in front, each side, and/or above as shown in the four diagrams on the next page.



Alcove



Side view

	<p>The <b>HeatWave</b> Duct Kit has different clearance and framing requirements, check the <b>HeatWave</b> manual for details.</p>
--	---

**Caution Requirements**

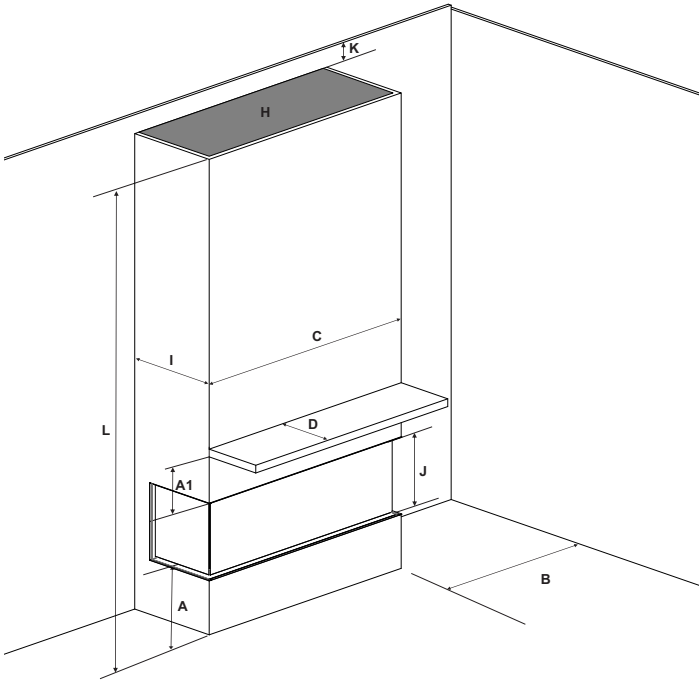
The top, back and sides of the fireplace are defined by standoffs. The metal ends of the standoff may **NOT** be recessed into combustible construction.

**WARNING**

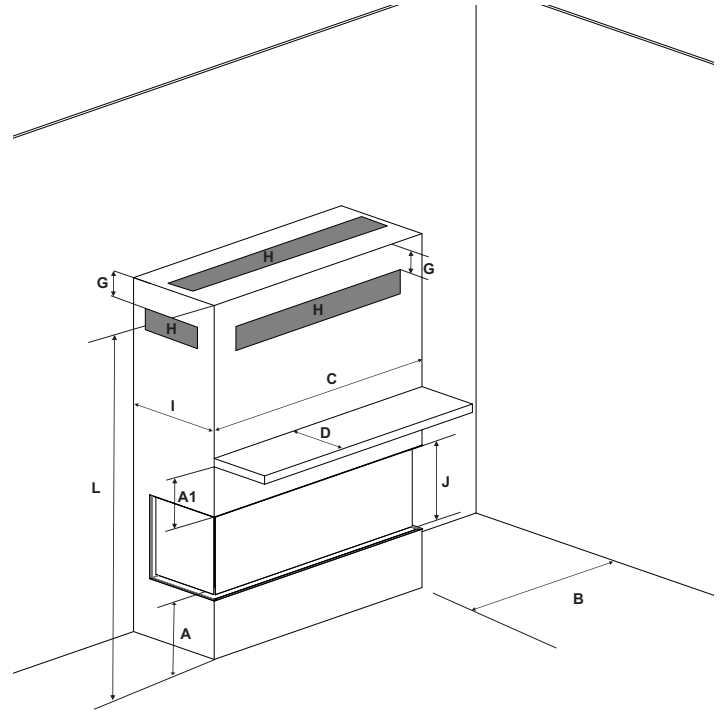
**Fire hazard is an extreme risk** if these clearances (air space) to combustible materials are not adhered to. It is of greatest importance that this fireplace and flue system be installed only in accordance with these instructions.

# installation

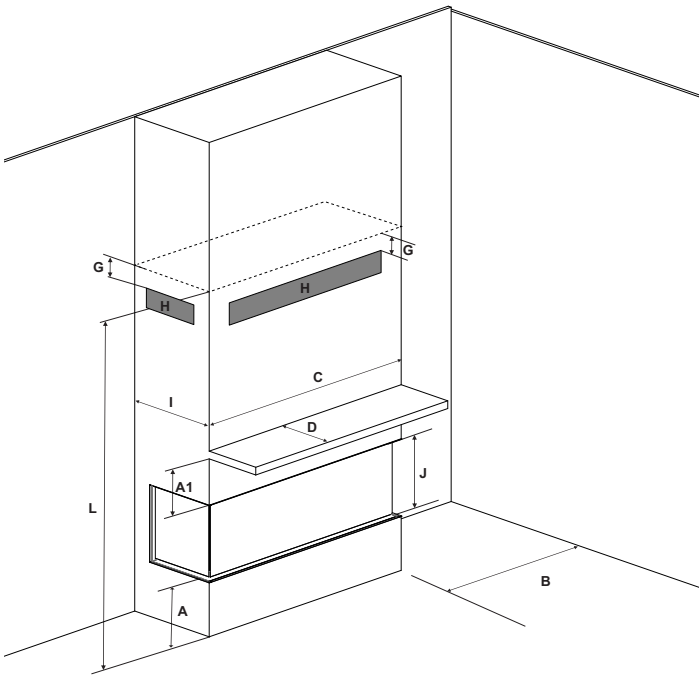
## Clearances



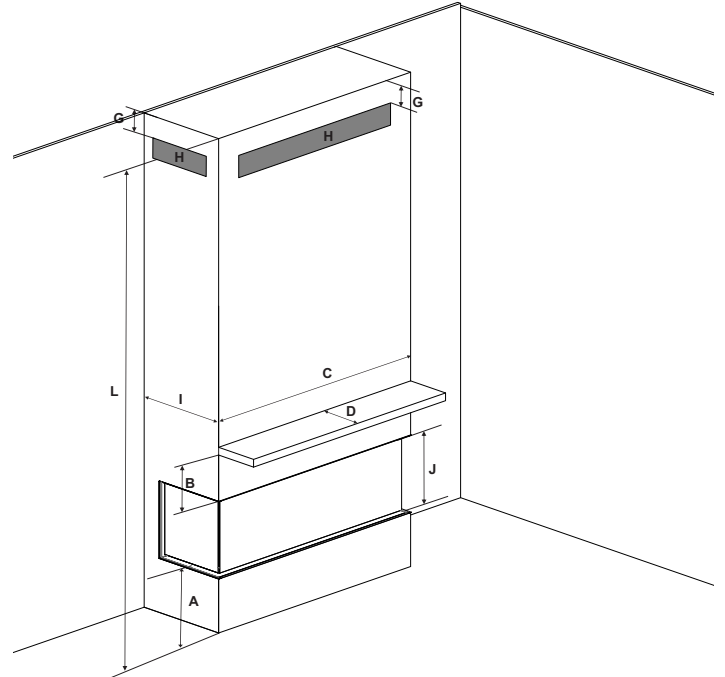
Floor to ceiling with top opening



Low framing with flues in front/sides or top



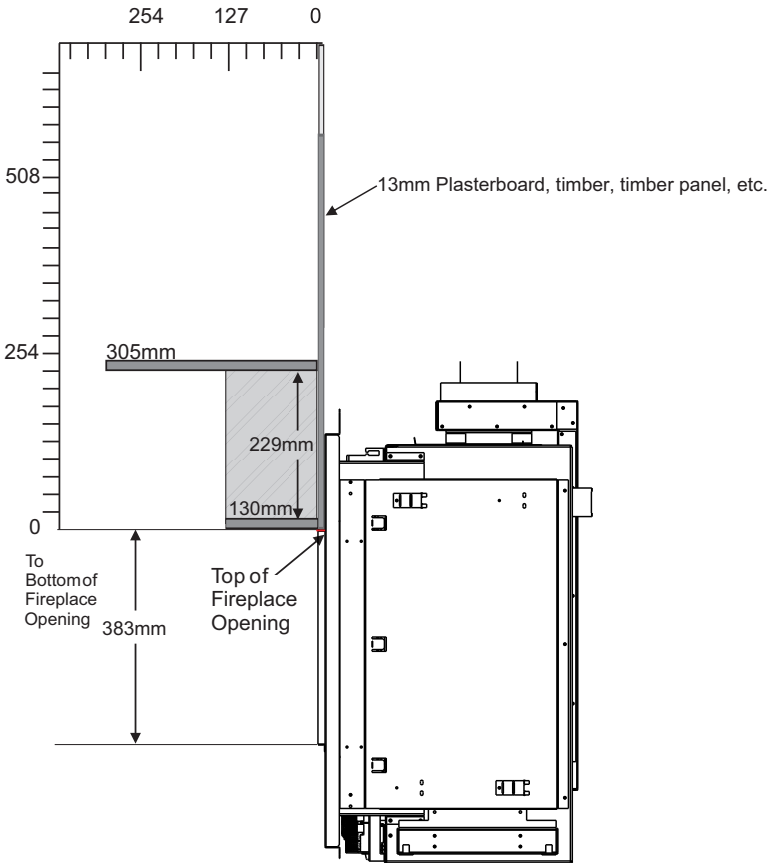
Full framing with low flues in front or sides



Full framing with flues in front or sides

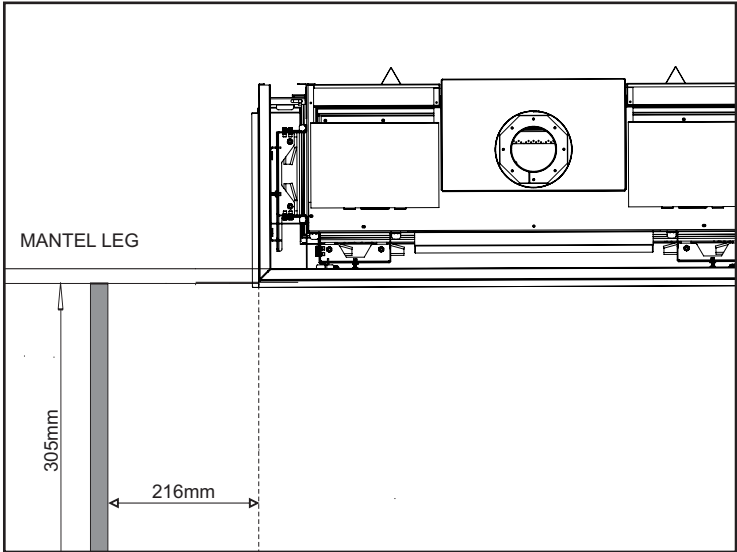
**Mantel Clearances**

Combustible mantel clearances from top of front facing are shown in the diagram on the right.



**Mantel Leg Clearances**

Combustible mantel leg clearances as per diagram:



# installation

## Framing Dimensions

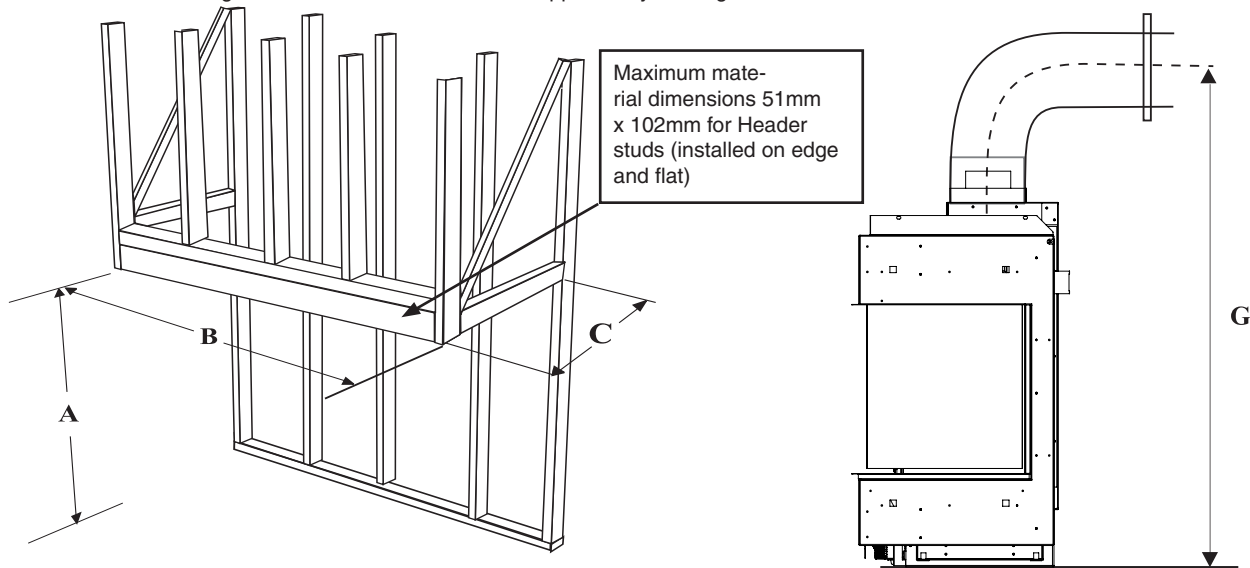
**NOTE:** Framing may be constructed of combustible material (ie. 51x102mm) and does not require steel studs. Two (2) optional steel stud kits may also be purchased. These kits may be used in place of the conventional wood framing as shown below. It comes as a compact kit (flush to the appliance on all sides) or an extended kit. The extended kit protrudes beyond each side of the appliance as shown on the front cover of this manual. There is also an optional hearth kit which may be purchased as shown on the front cover of this manual. These kits are highly recommended as it was designed specifically for the product to facilitate ease of installation. See instructions in this manual for details.

Framing Dimensions	Description	ACB40E
A	Framing Height	949mm
B	Framing Width	1232mm
C	Framing Depth	483mm
D	Minimum Height to Combustibles	1600mm
G	Flue Centerline Height	1429mm
I	Gas Connection Opening Height	51mm
J	Gas Connection Height	106mm
K	Gas Connection Inset	330mm
L	Gas Connection Opening Width	89mm

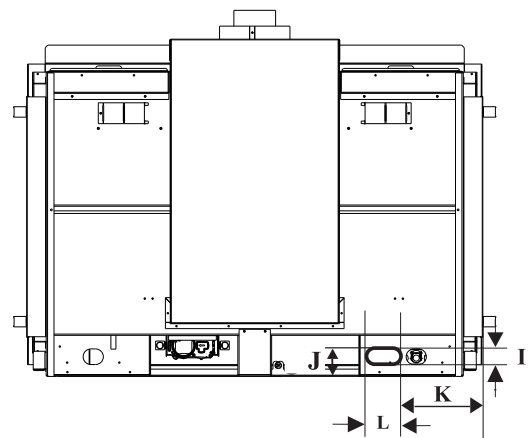
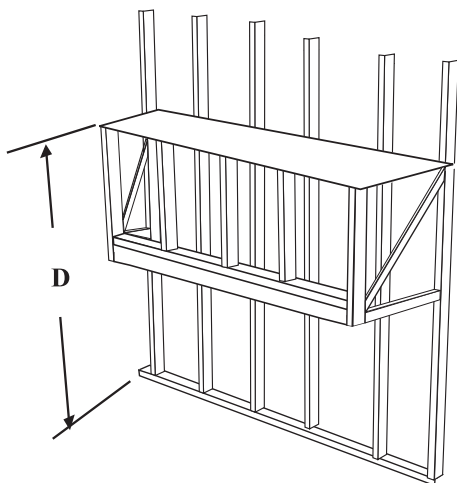
**Note:** A combined minimum of 774 square centimetres of open area is required for the convection air outlet to cool the enclosure. Ensure clearances for Convection Air Outlets are met. See clearances ACB40E (3 sided) in this manual as there are different methods as to how this can be achieved.

**Note:** Only basic framing dimensions are shown. The framing may also extend beyond the appliance on either side and also extend out front if a hearth is desired. See clearance/finishing requirements for details.

**Note:** Unit is not load bearing. All finished materials must be supported by framing.

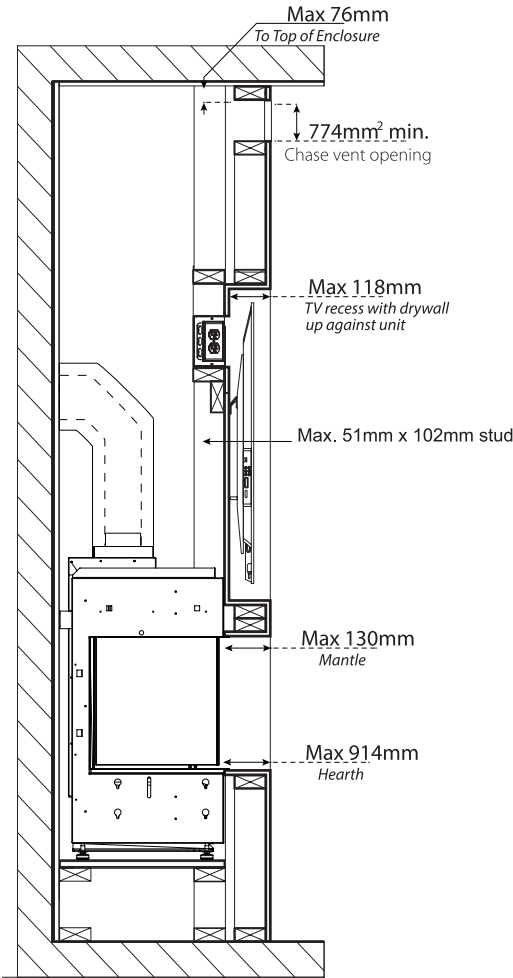


**Note:** This appliance must be installed on a solid surface such as a plywood floor which must be the full width and depth of the appliance.



TV Recessed into Wall - Typical Installs

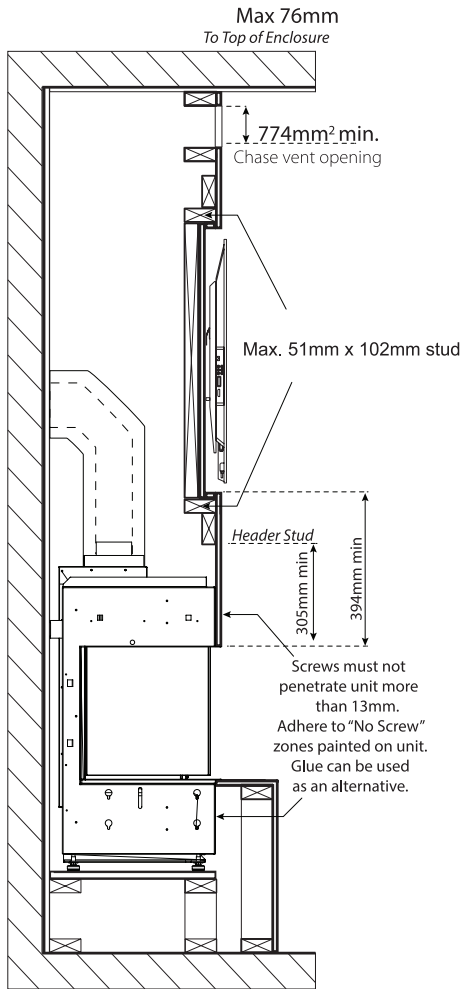
Maximum TV Recess



118mm maximum TV recess using 13mm drywall

ACB40E shown

TV Flush with Hearth



Flush wall TV recess using 13mm drywall

ACB40E shown



## Flueing Introduction

The ACB40E uses the "balanced flue" technology Co-Axial system. The inner liner flues products of combustion to the outside while the outer liner draws outside combustion air into the combustion chamber thereby eliminating the need to use heated room air for combustion and losing warm room air up the chimney.

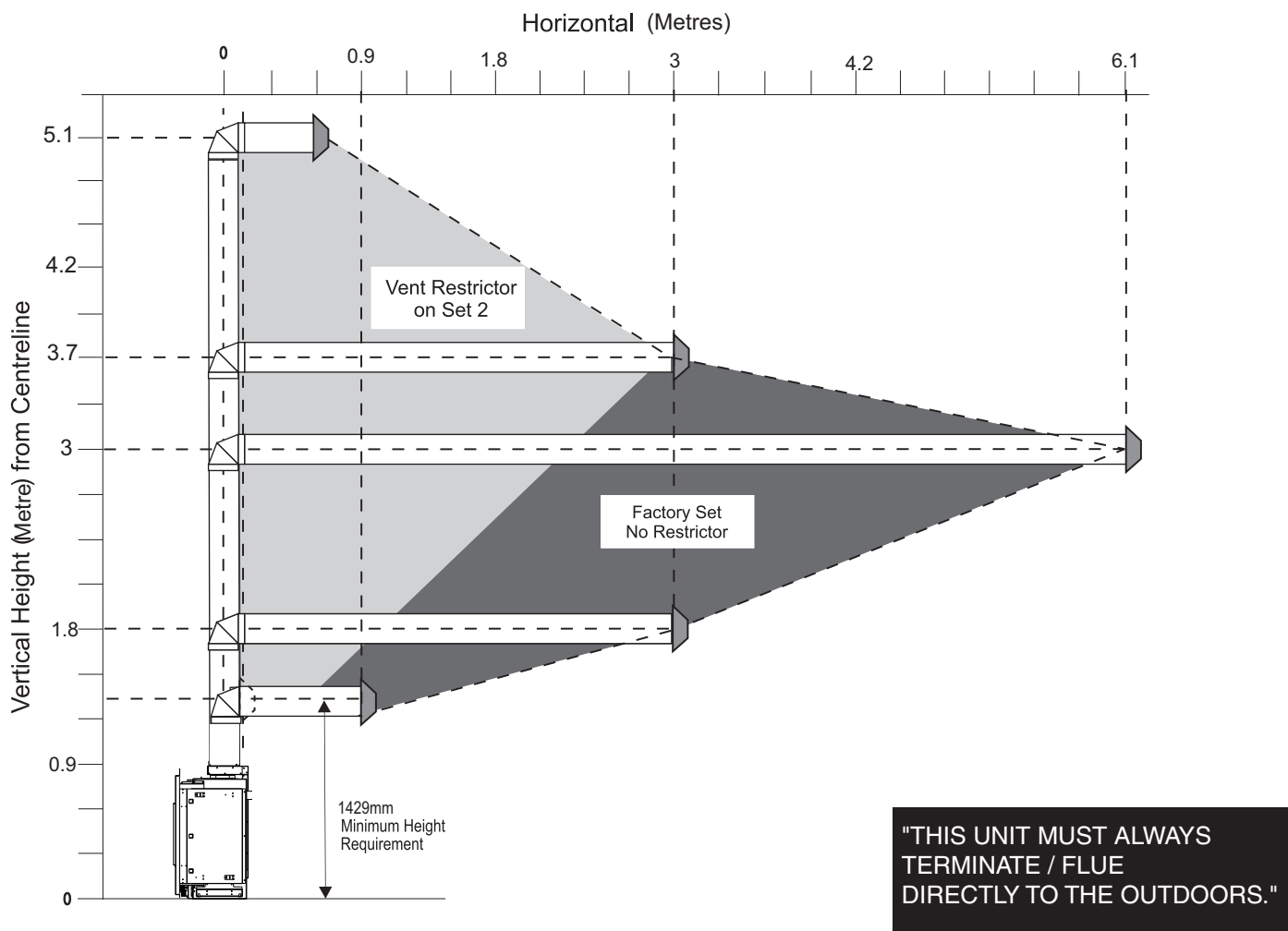
**Note:** These flue pipes must not be connected to any other appliance.

The gas appliance and flue system must be flueed directly to the outside of the building, and never be attached to a chimney serving a separate solid fuel or gas burning appliance. Each direct flue gas appliance must use its own separate flue system. Common flue systems are prohibited.

## Flueing Arrangement for Horizontal Terminations

The diagram shows all allowable combinations of vertical runs with horizontal terminations, using one 90° (two 45° elbows equal one 90° elbow).

**Note:** Must use optional rigid pipe adapter (Part# 510-994) when using Rigid Pipe Flueing Systems.



### Flue RESTRICTOR SETTING:

**Flue restrictor factory set at Set 0.**

Refer to the "Flue Restrictor Position" section for details on how to change the flue restrictor from the factory setting of Set 0 to Set 2 if required.

**Note:** For horizontal terminations the Regency Direct Flue Flex System may be used for installations with a maximum continuous flue length of up to 3m. If longer runs are required, rigid pipe must be used.

- Maintain clearances to combustibles as listed in "Clearances" section
- Horizontal flue must be supported every 0.9m.
- Firestops are required at each floor level and whenever passing through a wall.
- A flue guard should be used whenever the termination is lower than the specified minimum or as per local codes.
- Flex system can only be used up to 3m - otherwise rigid flueing must be used.

# installation

## Flueing Arrangements Horizontal Terminations Flex Vent 102mm x 173mm

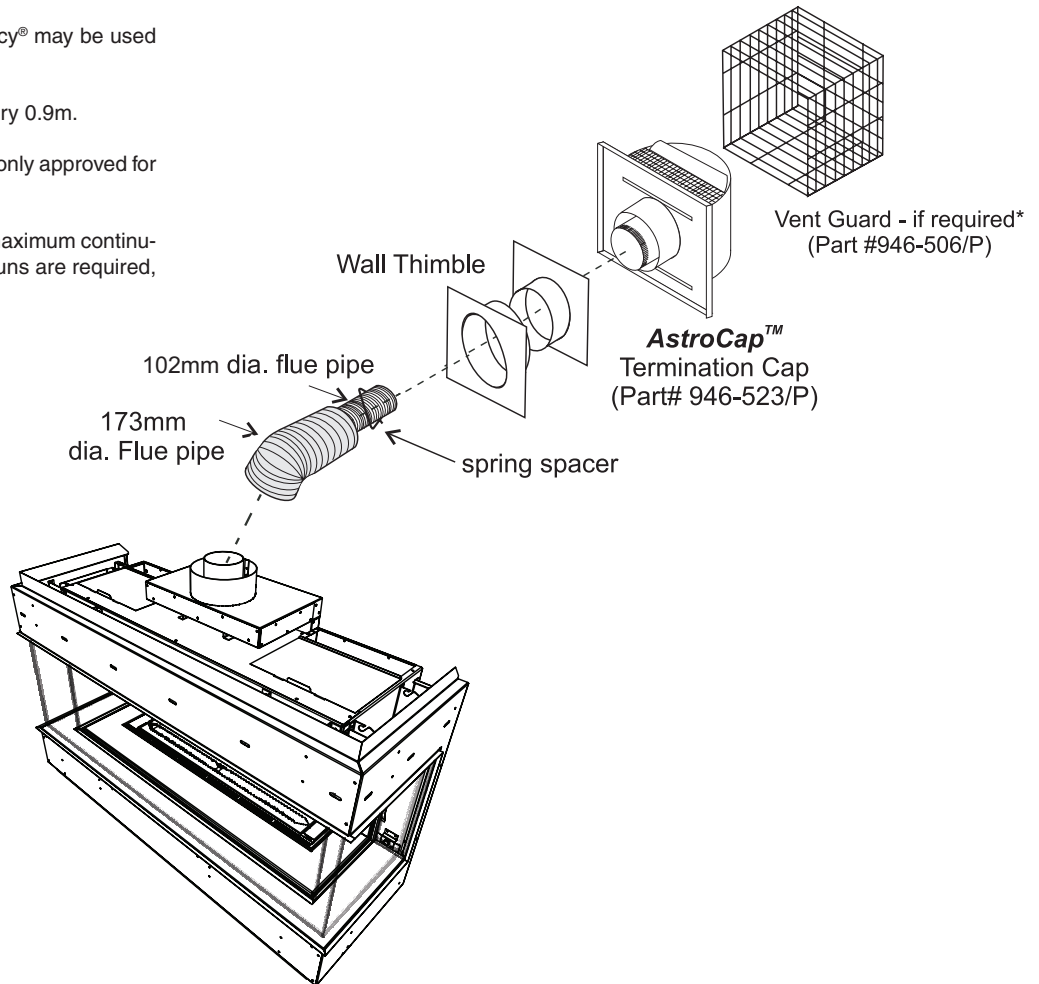
These flueing systems, in combination with the ACV40E Direct Vent Gas Fireplace, have been tested and listed as a direct vent heater system. The location of the termination cap must conform to the requirements in the Vent Terminal Locations diagram in "Exterior Vent Termination Locations" section.

Regency® Direct Vent (Flex) System Termination Kits includes all the parts needed to install the ACV40E using a flexible vent.

FPI Kit #	Length	Contains:
#946-515	1.2m	<ol style="list-style-type: none"> <li>1. 175mm flexible outer liner (Kit length)</li> <li>2. 102mm flexible inner liner (Kit length)</li> <li>3. spring spacers</li> <li>4. thimble</li> <li>5. <b>AstroCap</b> termination cap</li> <li>6. screws</li> </ol>
#946-516	3m	<ol style="list-style-type: none"> <li>7. tube of Mill Pac</li> <li>8. plated screws</li> <li>9. S.S. screws #8 x 38mm drill point</li> </ol>

### Notes:

1. Liner sections should be continuous without any joints or seams.
2. Only Flex pipe purchased from Regency® may be used for Flex installations
3. Horizontal vent must be supported every 0.9m.
4. Regency® Direct Vent System (Flex) is only approved for horizontal terminations.
5. Flex system can only be used up to a maximum continuous vent length of up to 3m. If longer runs are required, rigid pipe must be used.



# installation

## Horizontal Terminations Rigid Pipe 102mm x 175mm

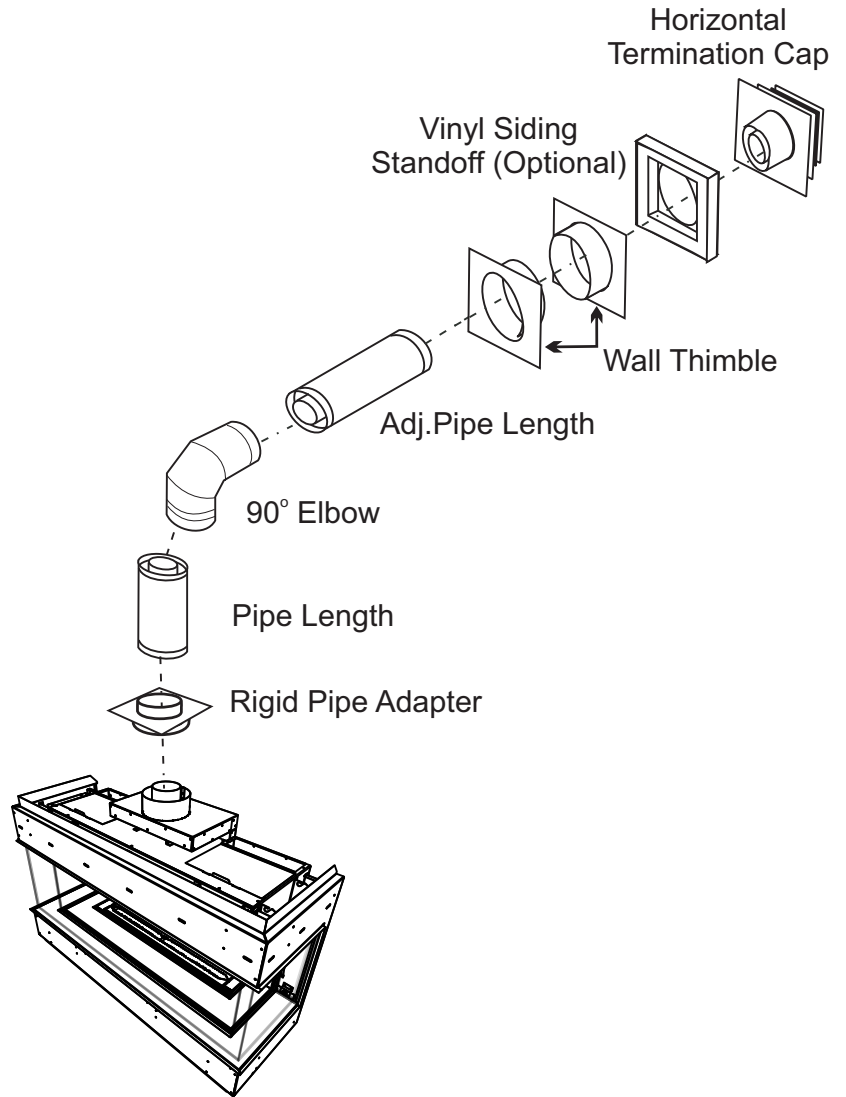
The minimum components required for a basic horizontal termination are:

- 1 Horizontal Termination Cap
- 1 Rigid Pipe Adaptor (510-994)
- 1 Wall Thimble
- 1 Length of pipe to suit wall thickness (see chart)

Wall thickness is measured from the back standoffs to the inside mounting surface of termination cap. For siding other than vinyl furring strips may be used, instead of the vinyl siding standoff, to create a level surface to mount the flue terminal. The Terminal must not be recessed into siding. Measure the wall thickness including furring strips.

If a Vinyl Siding Standoff is required (it must be used with vinyl siding), measure to outside surface of wall without siding and add 51mm.

Flat Wall Installation	
Wall Thickness (mm)	Vent Length Required (mm)
102mm-140mm	152mm
178mm-216mm	229mm
254mm-292mm	305mm
229mm-368mm	279mm-371mm Adj. Pipe
381mm-597mm	432mm-610mm Adj. Pipe



### WARNING:

Do not combine flueing components from different flueing systems.

Use of the AstroCap™ and FPI Riser is acceptable with all systems.

This product has been evaluated by Intertek for using a Rigid Pipe Adaptor in conjunction with DuraVent Direct-Vent, Selkirk Direct-Temp, Ameri Vent Direct Venting, ICC Excel Direct, Olympia Chimney and Security Secure Flue systems. Use of these systems with the Rigid Pipe adaptor is deemed acceptable and does not affect the Intertek/ WHI listing of components.

**When using Rigid Flue other than Simpson Dura-vent, 3 screws must be used to secure rigid pipe to adaptor.**

The FPI AstroCap™ and FPI Riser Flue terminal are certified for installations using FPI flueing systems as well as Simpson Dura-vent® Direct Flue, American Metal Products Ameri Flue Direct Flue, Security Secure Flue®, ICC Excel, Selkirk Direct-Temp and Olympia Chimney. AstroCap™ is a proprietary trademark of FPI Fireplace Products International Ltd. Dura-vent® and Direct Flue are registered and/or proprietary trademarks of Simpson Dura-vent Co. Inc.

## Horizontal Terminations Rigid Pipe 102mm x 175mm

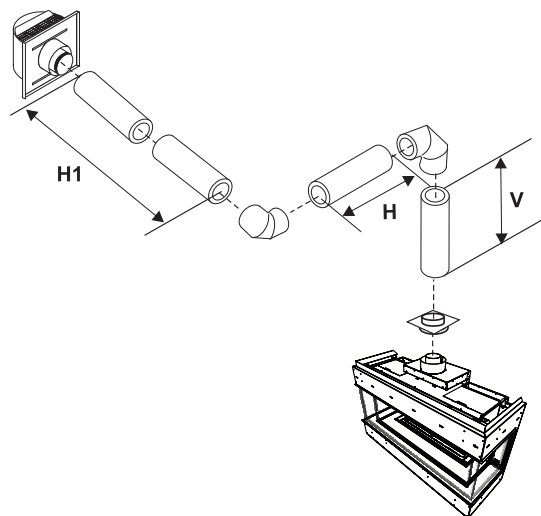
The diagrams below shows examples of horizontal termination arrangements using one, two, or three 90° elbows (two 45° elbows equal one 90° elbow)

1. A maximum of three 90° elbows are permitted.
  2. Minimum distance between elbows is 305mm.
- Maintain clearances to combustibles as listed in the "Clearances" section.
  - Horizontal flue must be supported every 0.9m.
  - Firestops are required at each floor level and whenever passing through a wall.
  - Must use optional rigid pipe adaptor (Part# 510-994) when using rigid pipe flue systems.
  - A flue guard should be used whenever the termination is lower than the specified minimum or as per local codes.
  - Flex system can only be used up to 3m - otherwise rigid flueing must be used.

### Horizontal Flueing with Two (2) 90° Elbows

*One 90° elbow = Two 45° elbows.*

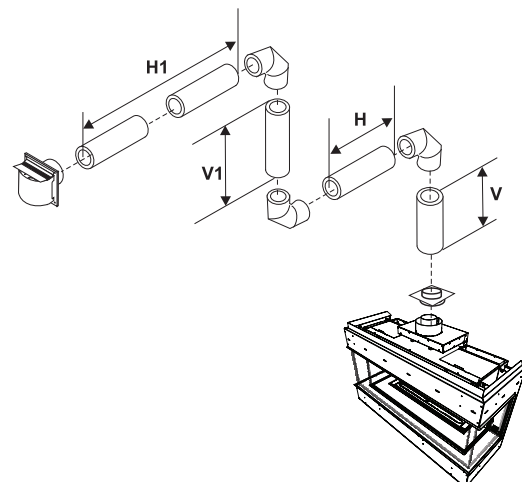
Option	V		H + H1
	Min.	Max.	
A)	0.3m	0.6m	With these options, maximum total pipe length is 9.1m with minimum of 1.8m feet total vertical and maximum 2.4m total horizontal.  <b>Please note minimum 0.3m between 90° elbows is required.</b>
B)	0.6m	1.2m	
C)	0.9m	1.5m	
D)	1.2m	1.8m	
E)	1.5m	2.1m	
F)	1.8m	2.4m	
Restrictor Set 0 - Factory Setting			



### Horizontal Flueing with Three (3) 90° Elbows

*One 90° elbow = Two 45° elbows.*

Option	V		H + H1		
	Min.	Max.	Min.	Max.	
A)	0.3m	0.3m	0.6m	0.6m	With these options, max. total pipe length is 9.1m with min. of 3.6m total vertical and max. 2.7m total horizontal.  <b>Please note min. 0.3m between 90° elbows is required.</b>
B)	0.3m	0.6m	0.9m	0.9m	
C)	0.6m	0.6m	1.5m	1.2m	
D)	0.9m	0.6m	2.1m	1.5m	
E)	1.2m	0.9m	2.7m	1.8m	
F)	1.5m	1.2m	3m	2.1m	
G)	1.8m	1.5m	3.3m	2.4m	
H)	2.1m	1.8m	3.6m	2.7m	
Restrictor Set 0 - Factory Setting					



**Flueing Arrangement for Vertical Terminations**

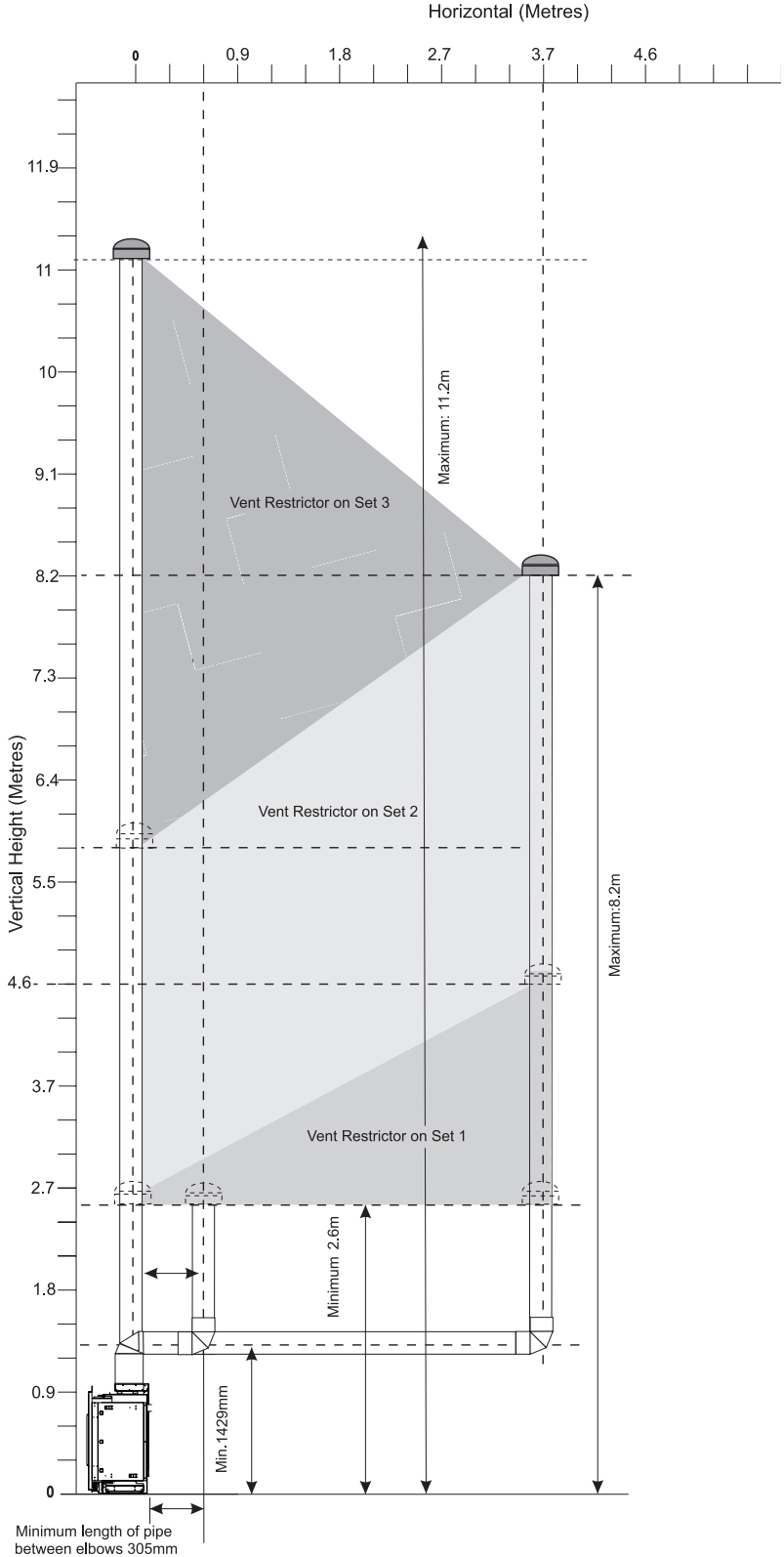
**Vertical Flueing with Straight Vertical Flueing and or with a max. of two (2) 90° Elbows (1 - 90° = 2 - 45°)**

The shaded area in the diagram shows all allowable combinations of straight vertical and offset to vertical terminations, using two 90° elbows, with **Rigid Pipe Flueing Systems**.

Two 45° elbows equal to one 90° elbow.

- Vent must be supported at offsets.
- Minimum distance between elbows is 305mm.
- Maintain clearances to combustibles as listed in the "Clearances" section.
- Horizontal vent must be supported every 0.9m.
- Firestops are required at each floor level and whenever passing through a wall.
- Must use optional rigid pipe adaptor (Part# 510-994) when using rigid pipe vent systems.
- Refer to the "Vent Restrictor Position" section for details on how to change the vent restrictor from the factory setting of Set 0 through to Set 3 if required.

**"THIS UNIT MUST ALWAYS TERMINATE / FLUE DIRECTLY TO THE OUTDOORS."**



# installation

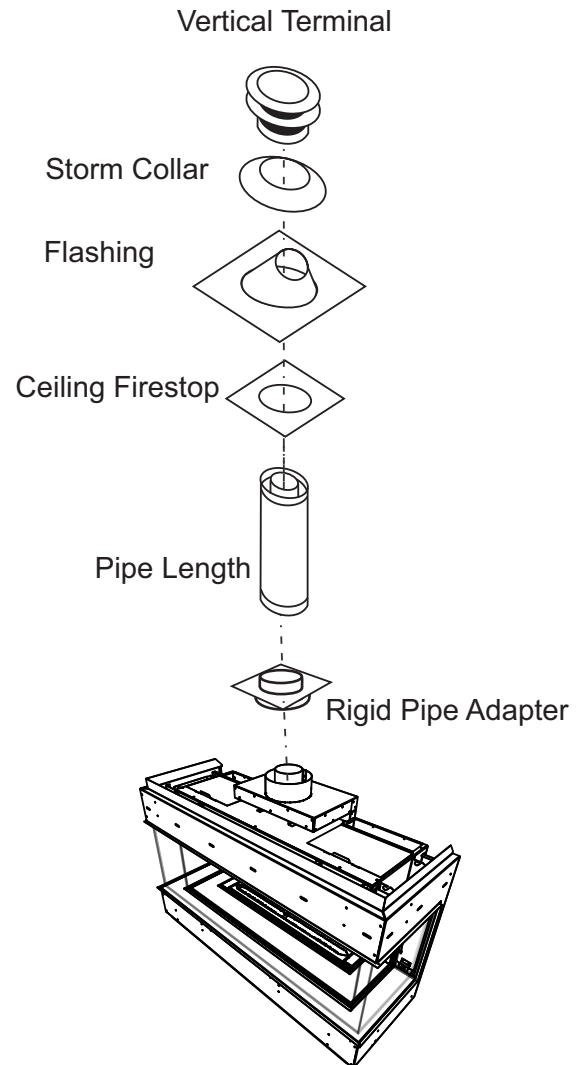
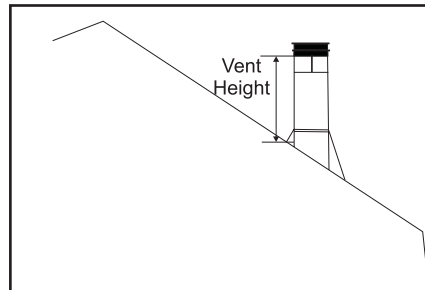
## Vertical Terminations Rigid Pipe 102mm x 175mm

The minimum components required for a basic vertical termination are:

- 1 Vertical Termination Cap
- 1 Rigid Pipe Adaptor (510-994)
- 1 Ceiling Firestop
- 1 Flashing
- 1 Storm Collar
- 1 Length of pipe to suit wall thickness (see chart)

Galvanized pipe is desirable above the roofline due to its higher corrosion resistance. Continue to add pipe sections through the flashing until the height of the flue cap meets the minimum height requirements specified in table below or local codes. Note that for steep roof pitches, the vertical height must be increased. A poor draft, or down drafting can result from high wind conditions near big trees or adjoining roof lines, in these cases, increasing the flue height may solve the problem.

Roof Pitch	Meters
	flat to 7/12
over 7/12 to 8/12	0.61
over 8/12 to 9/12	0.61
over 9/12 to 10/12	0.76
over 10/12 to 11/12	0.99
over 11/12 to 12/12	1.22
over 12/12 to 14/12	1.52
over 14/12 to 16/12	1.83
over 16/12 to 18/12	2.13
over 18/12 to 20/12	2.29
over 20/12 to 21/12	2.44



### **WARNING:**

Do not combine flueing components from different flueing systems.

Use of the the AstroCap™ and FPI Riser is acceptable with all systems.

This product has been evaluated by Intertek for using a Rigid Pipe Adaptor in conjunction with Duravent Direct-Vent, Selkirk Direct-Temp, Ameri Vent Direct Venting, ICC Excel Direct, Olympia Chimney, and Security Secure Vent systems. Use of these systems with the Rigid Pipe adaptor is deemed acceptable and does not affect the Intertek WHI listing of components.

**When using Rigid Flue other than Simpson Dura-vent, 3 screws must be used to secure rigid pipe to adaptor.**

The FPI AstroCap™ and FPI Riser Vent terminal are certified for installations using FPI venting systems as well as Simpson Dura-Vent® Direct Vent, American Metal Products Ameri Vent Direct Vent, Security Secure Vent®, ICC Excel, Selkirk Direct-Temp and Olympia Chimney. AstroCap™ is a proprietary trademark of FPI Fireplace Products International Ltd. Dura-vent® and Direct Vent are registered and/or proprietary trademarks of Simpson Dura-Vent Co. Inc.

# installation

## Vertical Terminations

### Rigid Pipe 102mm x 175mm

- Two 45° elbows equal to one 90° elbow. Maximum of six 45° elbows allowed.
- Flue must be supported at offsets.
- Minimum distance between elbows is 305mm.
- Maintain clearances to combustibles as listed in the "Clearances" section.
- Horizontal flue must be supported every 0.9m.
- Firestops are required at each floor level and whenever passing through a wall.
- Must use optional rigid pipe adaptor (Part# 510-994 when using rigid pipe flue systems)

### Vertical Flueing with Three (3) 90° Elbows

*One 90° elbow = Two 45° elbows.*

Option	V	H + H1	V + V1	With these options, max. total pipe length is 9.1m with min. of 3m total vertical and max. 2.4m total horizontal.  <i>Please note min. 0.3m between 90° elbows is required.</i>
	Min.	Max.	Min.	
A)	0.3m	0.6m	0.9m	
B)	0.6m	0.9m	1.2m	
C)	0.9m	1.2m	1.8m	
D)	1.2m	1.5m	2.1m	
E)	1.5m	1.8m	2.4m	
F)	1.8m	2.1m	2.7m	
G)	2.1m	2.4m	3.0m	

*Lengths do not include elbow indicated*

