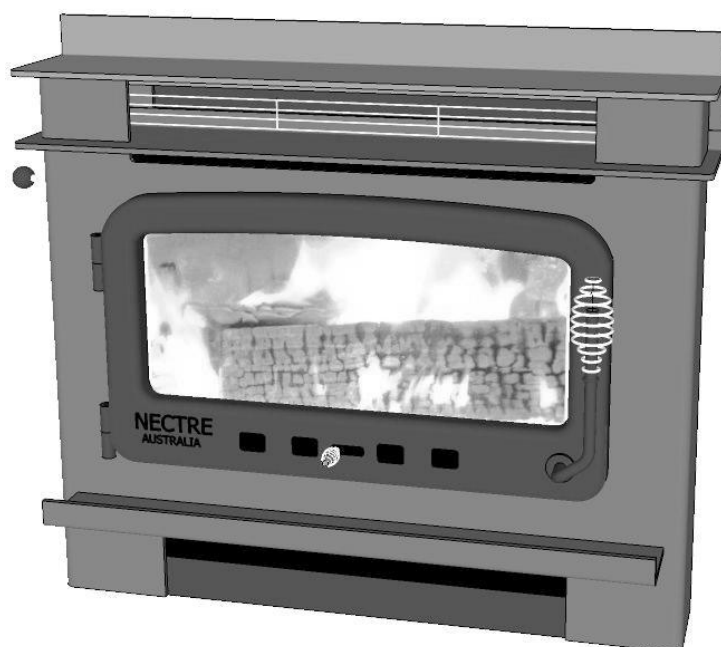




Nectre Inbuilt LE

Installation Instructions



Pecan Engineering Pty Ltd
13 Acorn Road
Dry Creek
South Australia 5094
Email info@pecan-eng.com.au
Phone: (08) 8349 8332
Fax: (08) 8260 6643

THE INSTALLATION INSTRUCTIONS IN THIS MANUAL APPLY TO THE NECTRE INBUILT LE.

IT HAS BEEN TESTED FOR EMISSIONS AND EFFICIENCY AND COMPLIES ACCORDING TO AS/NZS 4012:1999 & AS/NZS 4013:1999.

1. IMPORTANT INFORMATION

Most building regulatory Authorities in Australia require any wood heater installation to comply with Installation Standard AS/NZS 2918:2001. Different states and councils may have varying regulations. Check local building regulations before installing the appliance.

All Nectre wood heaters have been tested to ensure that they will meet the appropriate safety Standard requirements if the instructions in this manual are followed. As the safety and emissions performance can be affected by altering the appliance, no modifications are allowed without written permission from the manufacturer.

WE RECOMMEND THAT THE INSTALLATION OF YOUR NECTRE WOOD HEATER BE CARRIED OUT BY A QUALIFIED INSTALLER.

WARNING: THE APPLIANCE AND FLUE SYSTEM SHALL BE INSTALLED IN ACCORDANCE WITH AS/NZS 2918:2001 AND THE APPROPRIATE REQUIREMENTS OF THE RELEVANT BUILDING CODE OR CODES.

WARNING: APPLIANCES INSTALLED IN ACCORDANCE WITH THIS STANDARD SHALL COMPLY WITH THE REQUIREMENTS OF AS/NZS 4012 & AS/NZS 4013 WHERE REQUIRED BY THE REGULATORY AUTHORITY, I.E. THE APPLIANCE SHALL BE IDENTIFIABLE BY A COMPLIANCE PLATE WITH THE MARKING 'TESTED TO AS/NZS 4012 & AS/NZS 4013'.

ANY MODIFICATION OF THE APPLIANCE THAT HAS NOT BEEN APPROVED IN WRITING BY THE TESTING AUTHORITY IS CONSIDERED TO BE IN BREACH OF THE APPROVAL GRANTED FOR COMPLIANCE WITH AS/NZS 4012 & AS/NZS 4013.

CAUTION: MIXING OF APPLIANCE OR FLUE-SYSTEM COMPONENTS FROM DIFFERENT SOURCES OR MODIFYING THE DIMENSIONAL SPECIFICATION OF COMPONENTS MAY RESULT IN HAZARDOUS CONDITIONS. WHERE SUCH ACTION IS CONSIDERED, THE MANUFACTURER SHOULD BE CONSULTED IN THE FIRST INSTANCE.

CAUTION: CRACKED AND BROKEN COMPONENTS, EG. GLASS PANELS OR CERAMIC TILES, MAY RENDER THE INSTALLATION UNSAFE.

2. INSTALLING THE HEATER

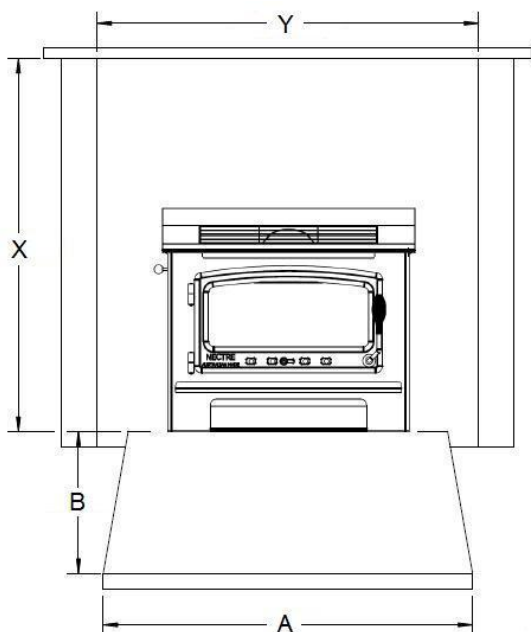
The Nectre Inbuilt LE is designed to be installed in a concrete, brick or stone fireplace which is attached to a chimney and has a non-combustible floor protector.

- 1) Check and clean the chimney and fireplace.
- 2) Prepare the opening so that the heater will seal against the sides of the fireplace. If the opening is too large it can be reduced by fitting a sheet of heat tolerant material such as compressed cement sheet, or bricks, or with optional steel facias available from Nectre.
- 3) The flue spigot in the heater is 45°. For a vertical flue, a 150mm 45° stainless steel flue bend needs to be fitted.
- 4) Wrap the supplied fibreglass insulation around the rear of heater. To avoid heat losses through the sides of the heater into the fireplace cavity, it is recommended to fit fibreglass or rock-wool insulation to the external sides of the heater.
- 5) Install flue lengths up the chimney to atmosphere.
- 6) Insert the heater, and by gaining access through the removed top panel, fit the flue and 45° elbow together.
- 7) Refit the top panel into place.

The flue kit must be installed according to the manufacturer's instructions.

The dimensions given below for the Nectre Inbuilt LE represent the minimum clearance to combustible materials, eg. mantle-piece, when installed in a non-combustible fireplace.

For variations to clearances relative to a combustible mantle-piece refer to AS/NZS 2918 Clause 3.4.2.



X Height to Mantelpiece (mm)	Y Width between columns (mm)	A Hearth Width (mm)	B Hearth Depth In front of door opening 600 overall (mm)
1050 (470 above top of hot air outlet)	1075	900	500

Floor Protector (Hearth)

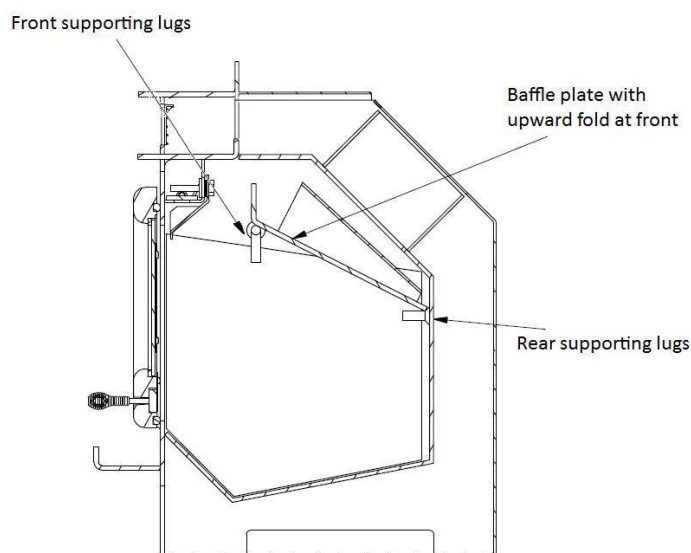
The dimensions given in the table above are the minimum required for the floor protector. It may be desirable, for example aesthetic reasons, for the floor protector to be larger than these minimum dimensions.

The floor protector shall be constructed of 45mm minimum thick compressed cement sheet with thermal conductivity not greater than 0.33W/m °K. The floor protector may be laid directly on the combustible floor.

For more details and variations on floor protectors refer to AS/NZS 2918:2001 Clause 2.2, 3.3.1, & 3.3.2.

3. INSTALLING Baffle PLATE

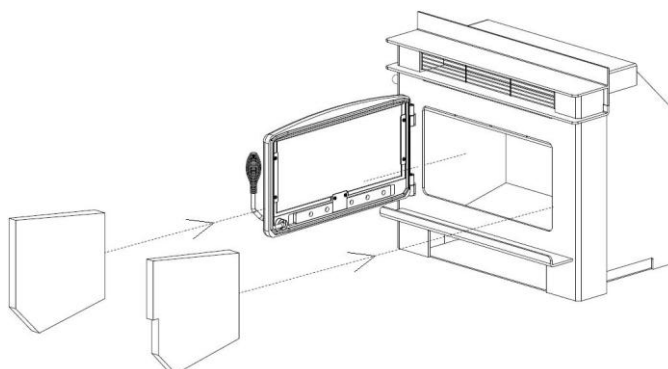
- 1) The baffle plate should be installed before installing the fire bricks.
- 2) Place the baffle inside the firebox with the fold at the front and directed upwards (refer to diagram below for correct orientation).
- 3) Raise the front of the baffle, tilting it back and raise so that it clears and rests on the front support lugs.
- 4) Raise the rear of the baffle, bringing it forward enough to clear the rear support lugs.
- 5) Once clear of the rear support lugs, push the baffle back so that it is resting hard up against the rear of the firebox.



4. INSTALLING FIRE BRICKS

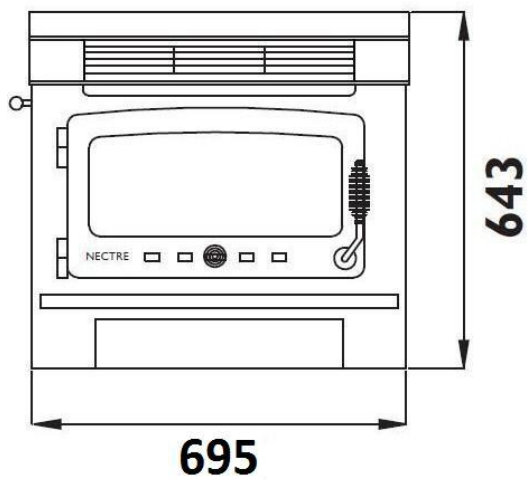
The Nectre Inbuilt LE comes with two fire bricks, a left and a right brick for the inner sides of the firebox. Refer to diagram below.

Place the brick inside the firebox, locate the top edge of the brick behind the vertical rod on the front supporting lug, and then slide the angled bottom of the brick into position so that it is vertical and flush with the side of the firebox.

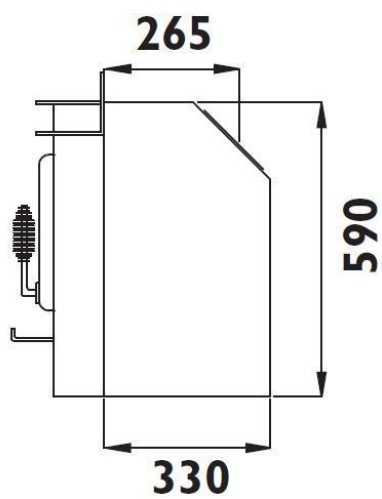


5. TECHNICAL DRAWINGS

Front view:



Side view:



Top view:

