



The Warmest Aussie Legend

THE MOSMAN



CUSTOMER OPERATING INFORMATION & INSTALLATION INSTRUCTIONS

Serial Number of Heater: _____ Model: _____

The Mosman Gas Heater

IS AUSTRALIAN OWNED AND MANUFACTURED BY

SHAMIC SHEETMETAL (AUST.) PTY. LTD.

PO BOX 8, KILSYTH, VIC. 3137

PH: 03 9737 5300 FAX: 03 9761 6455

<http://shamic.com>

WARNING

THE FOLLOWING INSTRUCTIONS MUST BE CARRIED OUT OR WARRANTY BECOMES VOID.

Heater must be installed by a Coonara authorised technician. A list of authorised technicians is available on <http://shamic.com> . You must obtain a license number from the installer.

Inbuilt and Freestanding Heaters must be placed on a flat level surface. Inbuilt models must be placed on 6mm AC sheeting, to prevent unit from rattling.

Heater must be checked for scratches or dents prior to installation.

All glass must be fitted with a screw driver not a drill. If glass is broken upon installation due to the screws being tightened too much, it will not be classed under warranty.

Coonara Mosman Heaters are for use with Natural Gas & LPG. Other types of gas may void the warranty.

Further safety precautions and installation instructions are contained throughout this manual. Please read the manual before installation.

CONTENTS

PRODUCT FEATURES.....	4
SAFETY PRECAUTIONS.....	5
THERMOSTAT OPERATING INSTRUCTIONS.....	6
CUSTOMER OPERATING INSTRUCTIONS.....	6
SAFETY FEATURES.....	7
INSTALLATION OPTIONS	8
INSTALLATION	9
PRESSURE ADJUSTMENTS.....	10
PRODUCT DIMENSIONS.....	11
LOG SET LAYOUT	12
FRAME OUT SPECS	13
SERVICING.....	14
PART PHOTOS.....	15
FLUEING DIAGRAM	16
WIRING DIAGRAM.....	17
WARRANTY CLAIM	18-19
CARE OF APPLIANCE	20
TROUBLE SHOOTING GUIDE.	21
WARRANTY FORM & CONTACT DETAILS.....	23

**PLEASE STORE THIS MANUAL IN A SAFE PLACE FOR FUTURE
REFERENCE.**

Product Features

COONARA MOSMAN GAS LOG HEATER

NAME PLATE

<i>MODEL</i>	<i>COONARA MOSMAN</i>			
GAS TYPE	<i>NATURAL</i>	<i>LP / ULP GAS</i>	<i>Manufacturer</i>	
GAS INPUT HIGH LOW	30 MJ/h 27 MJ/h	22 MJ/h 16 MJ/h	Shamic Sheetmetal (Aust.) Pty.Ltd. PO BOX 8, KILSYTH, VIC. 3136 To be installed by a Coonara authorised technician in accordance with installation instructions provided with the appliance.	
<i>Horizontal Flue</i> HEAT OUTPUT (max.) Efficiency (max.)	7.18 kW 83.0 %	5.18 kW 84.1 %		
<i>Vertical Flue</i> HEAT OUTPUT Efficiency	6.32 kW 73.6 %	4.39 kW 71.2 %		
Injector Size	2.8 mm	1.9 mm		
Manifold Pressure High Low	0.80 kPa 0.60 kPa	0.72 kPa 0.40 kPa		
IAPMO Approval No to Code AS4553-2008	GMK10272	GMK10272		
Electrical Conform to AS3100		240V 50 Hz 120 Watts Max		
<i>Temperature Cutout Switch</i>		Honest-Well# T24A110ASR2-10		
<i>Cut out Temperature</i>		<i>110°C (Auto Resets at 100°C)</i>		
<i>Electrical Connection</i>		<i>Standard Flex. 2 Mt. 3 Pin Plug</i>		
<i>SERIAL NO.</i>		<i>DATE:</i>		

Coonara Mosman space heaters

- Zero Clearance to combustibles for sides, rear and bottom
- 50mm Clearance to combustibles above appliance
- 4.2 Star Energy Rating - long flue
- 4.7 Star Energy Rating - short flue
- Remote Control
- Electronic ignition
- Modulated heat settings
- External combustion air intake - prevents de-oxygenation of room air.
- Delayed start room fan - prevents cold air being circulated at start-up.
- Balanced flue system

- Not intended for fireplace insert

SAFETY PRECAUTIONS



- **DO NOT** OPERATE THIS APPLIANCE BEFORE READING THIS INSTRUCTION MANUAL.
- **DO NOT** PLACE ARTICLES ON OR AGAINST THIS APPLIANCE.
- **DO NOT** USE OR STORE CHEMICALS/FLAMMABLE MATERIALS OR SPRAY AEROSOLS NEAR THIS APPLIANCE
- **DO NOT** OPERATE WITH PANELS, COVERS OR GUARDS REMOVED FROM THIS APPLIANCE.
- **DO NOT** ENCLOSE THIS APPLIANCE
- **DO NOT** CONNECT TO A LPG GAS CYLINDER LOCATED INDOORS
- **DO NOT** MODIFY THIS APPLIANCE.
- **ALWAYS** SUPERVISE YOUNG CHILDREN NEAR THE APPLIANCE

NOTE: In the event the electricity supply cord is damaged, it must be replaced with an original Coonara part obtainable from your authorized dealer.

SAFETY GUARD

THE SAFETY GUARD AROUND THE GLASS DOOR IS FITTED TO THIS APPLIANCE TO REDUCE THE RISK OF FIRE OR INJURY FROM BURNS. NO PART OF IT SHOULD BE PERMANENTLY REMOVED. *IF HEATER IS DAMAGED*, DURING REMOVAL OF SAFETY GUARD, DAMAGE WILL NOT BE COVERED BY WARRANTY.

IT IS RECOMMENDED THAT A SECONDARY GUARD BE USED TO PREVENT ACCESS TO THE APPLIANCE BY YOUNG CHILDREN AS OUTER PANELS MAY REACH HIGH TEMPERATURES.

INSTALLATION

THIS APPLIANCE SHALL ONLY BE INSTALLED BY A COONARA AUTHORISED TECHNICIAN IN ACCORDANCE WITH:

- AS/NZ S 5601.1 (GAS INSTALLATION CODE)
- MANUFACTURERS INSTALLATION INSTRUCTION
- LOCAL GAS FITTING REGULATIONS, AND
- MUNICIPAL BUILDING CODES.

Instructions for operation with THERMOSTAT

The Coonara Mosman Gas log space Heater has been designed for a simple and efficient operation to provide you with a higher heat output than most other landscape heaters in the market.

PRE OPERATIONS CHECKS

Prior to operating the heater, ensure that the flue terminal is not obstructed. Furthermore, make sure there are no combustible objects leaning against, resting on, or within the immediate vicinity of the unit. Check that the heater main power and gas supply are connected and switched on.

OPERATING THE HEATER

The heaters are operated by the room remote/thermostat

- 1** - To ignite your heater press **Power Button** on the remote and the heater will automatically start the ignition sequence. Please refer to the Thermostat Operating Manual supplied for further instructions. After approximately 10 seconds of self-checking the heater will ignite.
- 2** - The heater will **always start in the low heat** setting and (unless already warm) the heater will **warm up for at least 3 minutes** before automatically going to the higher flame setting.
- 3** - The fan will not start until the heater has reached the minimum operating temperature.
- 4** - During first time firing of this appliance, an odour may be noticed for a short period of time while the paint and seals cure. It is advisable to leave the windows open during the first few hours of the very first operation only.

TURNING THE APPLIANCE OFF

Press power button on the remote once. The room fan will continue to operate for approximately 3 minutes then turn off

Please note:

- 1** - This appliance cannot be operated without the fan running.
- 2** - Due to the performance and efficiency of the heater, steam may be noticed coming from the flue terminal on cool days.
- 3** - As this appliance has a luminous effect some slight carbon deposition may occur.

SAFETY FEATURES:

Automatic Pre-purge: Before heater ignition this operation is done to evacuate any remains of gas or flue products from inside the firebox that could be the cause of a mishap.

Automatic Shut-off: Should the flame extinguish for any reason there is an automatic shut off of the gas supply.

Over temperature protection: In the event of the room fan failing, blockage of airways or incorrect gas installation, the gas supply will automatically shut off after 5 minutes. This is due to temperature increase and to prevent the appliance from over-heating.

Warning: This appliance must be installed to comply with AS/NZS 5601.1 codes and regulations and only by a Coonara authorised technician who is responsible for its correct operation at the time of installation and final commissioning.

For your own convenience please record the following information in the space provided:

Purchased from:

Name.....

Address.....

Phone No.....Date of purchase:.....

Serial No of appliance:.....

To be completed by the installer:

Name.....Licence No.....

Address.....

Phone No..... Installation Date.....

WARNING

**Heater must be checked for scratches or dents prior to installation.
Once the Heater is installed scratches or dents are NOT covered by warranty.
Heater must be placed on a flat level surface.
Inbuilt models must be placed on AC sheeting, to prevent unit from rattling.**

INSTALLATION OPTIONS:

*** ONLY TO BE CARRIED OUT BY A COONARA AUTHORISED TECHNICIAN!**

The Mosman Inbuilt Gas Heater has zero clearance to combustibles for the sides, rear and bottom with a 50mm clearance to combustibles above the appliance.

The heater can be installed in a wall cavity made of combustible materials such as wood, fire rated sheeting or chipboard. Any sealed cavity should be vented. Coonara provide the heater with their own flue kit.

6mm Cement Sheet is required for floor installation.

VERTICAL FLUE INSTALLATION

1. Connect flue terminal to the solid 4-6 inch flue provided
2. To connect flue lengths together push the flue pipes together firmly and twist ensuring that the flue locks together.
3. Fix flue terminal securely to top of the flue cavity with pop rivots or screws and seal to prevent water entry. Seal with Hi temperature waterproof silicon sealant.

INBUILT Rear Vent Flue Installation

1. Determine the exact location for the heater.
 2. Mark the exact location for the wall penetration
 - a. Determine that you will not be cutting through any vertical wall studs.
 - b. Check that the location of the wall-mounted terminal conforms to the requirements of AS/NZS5601.1 – Location of a Flue Terminal.
 3. Cut 1 hole 200mm in diameter
 4. To connect flue lengths together, firmly press the flue pipes together and twist ensuring that they lock together.
 5. Use the back of the cowl as a template for fixing holes.
 6. Fit flue to spigot on the rear of the cowl using screws and silicone (high temp).
- NOTE- it may be necessary to trim the flue depending on wall thickness.
6. Attach the back of the cowl to the wall. Silicone around outside.

INSTALLATION - GAS PRESSURE TO GAS VALVE

Only to be carried out by a Coonara authorised technician!

1. Unpack flue kit and log set.
2. Carefully remove the cardboard carton surrounding the heater, then remove the heater from the pallet.
3. Position heater, locate and connect flue pipe to unit. Connect gas to the flexible connection line and for Natural gas, check pressure coming in. *Note: Minimum Natural gas supply pressure required is 1.1kpa.*
High and low settings on gas valve are factory set and should be correct as per gas type (Natural or LPG) as specified at time of heater order. (Refer to page 4 for specific pressure settings.) Check these settings are correct.
4. Remove door by removing the 3 hex head screws above the door and 3 hex head screws below the door once removed securely hold door and lift off away from heater.
Start by pressing **power button** on the remote and then follow the instructions in the thermostat manual supplied. Heater may take a few goes to light depending on how much air is in the gas line. Once the firebox gets warm it will then go to higher temperature. Switch off using **power button** on the remote. This may have to be done 2 – 3 times, until unit is purged.
5. Once heater is working, unpack log set or crystals and place on firebox media tray, making sure you do not move the sensor or sparker when placing the logs/crystals in or sit logs/crystals over the burner.
6. Re assemble heater in reverse order.
7. **INBUILT HEATER** - Fascia Panel slides inside heater box, line holes up, fit screws to secure
8. **(NOTE) it is easier to fit fascia before putting door on**

INSTRUCT CUSTOMER OF CORRECT OPERATING PROCEDURE.

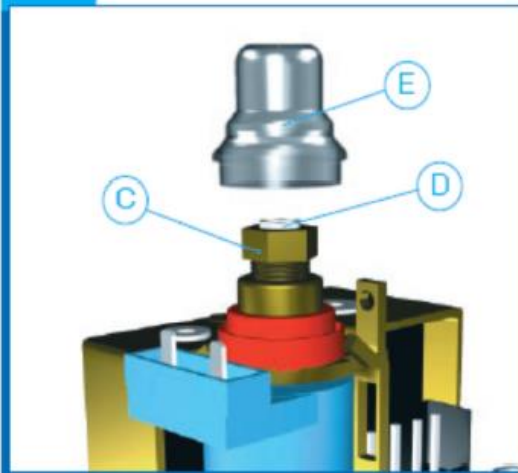
IMPORTANT !

The Mossman Gas Log Heater must be vented directly to the outside.

PRESSURE ADJUSTMENT

Your Coonara Mosman Heater has been fully factory pre-set and adjusted and should not need to be re-adjusted during installation. Gas pressures still need to be checked to the pressures shown on Page 4 of this manual. But there will be some situations where some service has to be carried out and gas pressure may need to be re-adjusted as per the following instructions:

843/845 OUTLET PRESSURE ADJUSTMENT



All adjustments must be made on the basis of the specific characteristics of the appliance. Check inlet and outlet pressure using the pressure test points provided. After testing, carefully seal test points with the provided screws. Recommended torque: 1.0 Nm.

Disconnect pressure regulator connection "VENT" (if used).

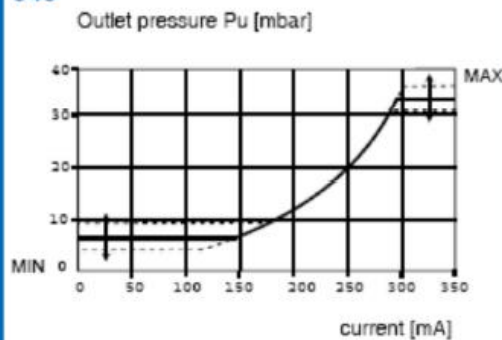
Remove the modulator plastic cap E.

- Maximum pressure: power the modulator in the maximum condition. Screw in the nut C to increase the outlet pressure and screw it out to decrease it. Use a 10 mm spanner.

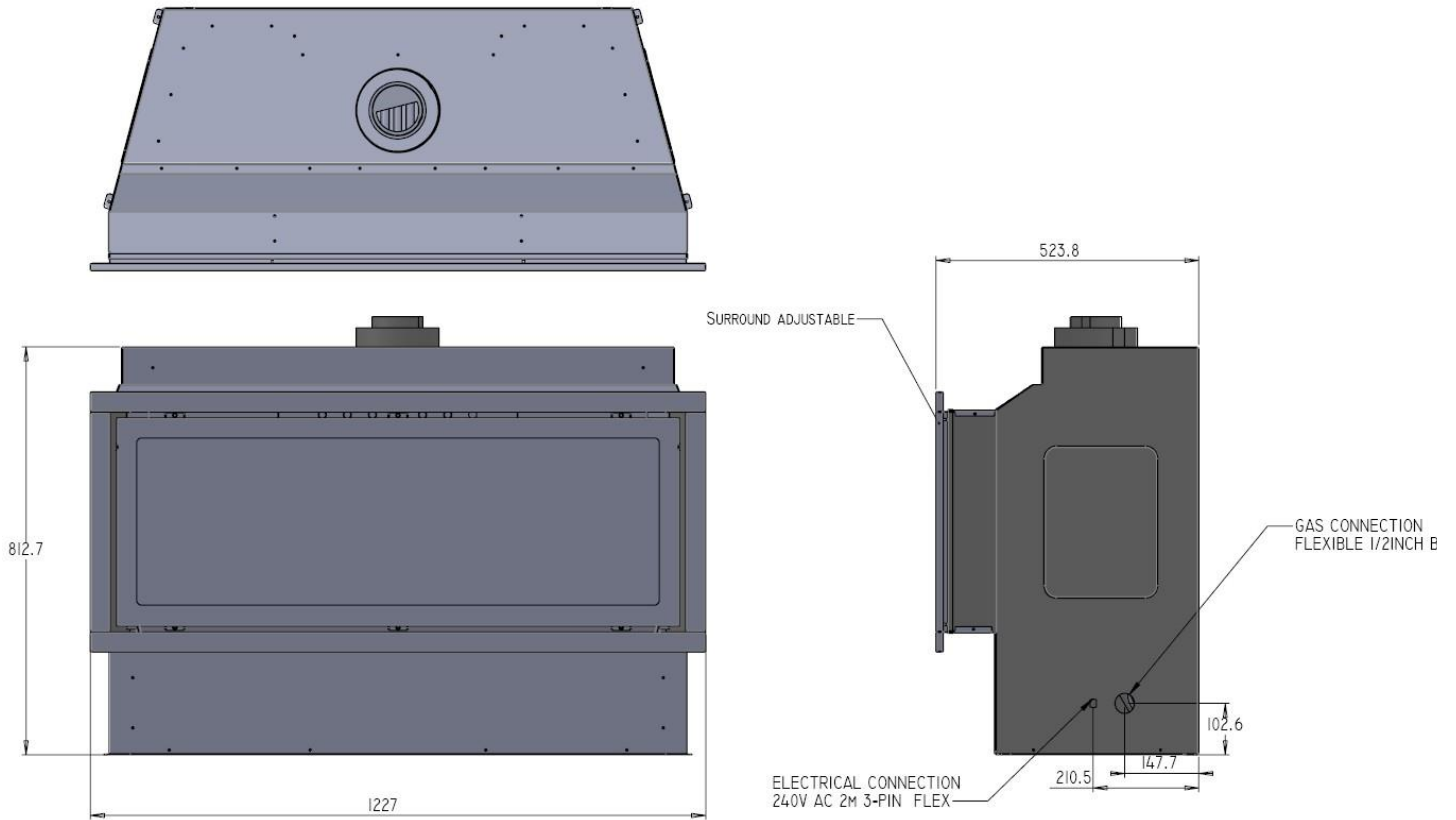
- Minimum pressure: Turn off the power supply to the modulator and, keeping the nut C stationary, screw in the screw D to increase the pressure and screw it out to decrease it. Screwdriver 6 x 1 blade. Carefully put back the modulator plastic cap. Reconnect pressure regulator connection (if used).

WARNING: to ensure the correct operation of the modulator it is necessary that the plastic cap E is returned to its original location.

845



MOSMAN OVERALL DIMENSIONS



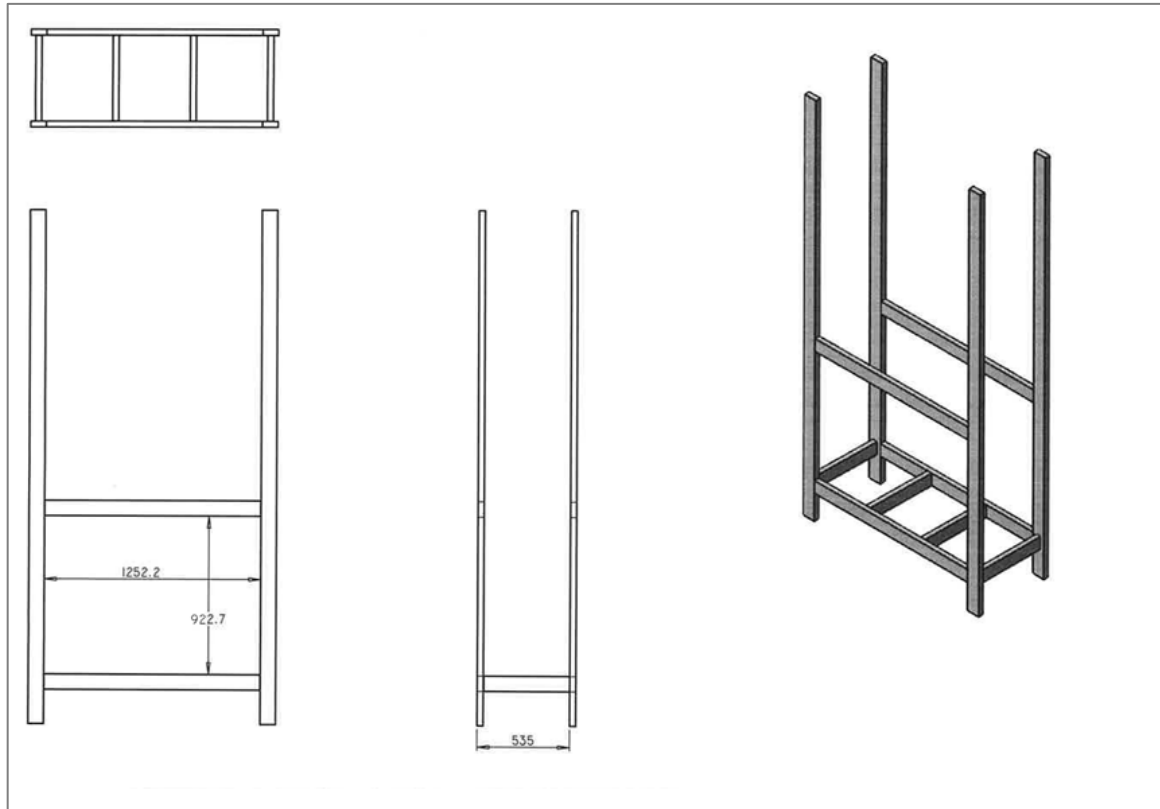
MOSMAN LOG SET

TOP VIEW – SUGGESTED LAY OUT



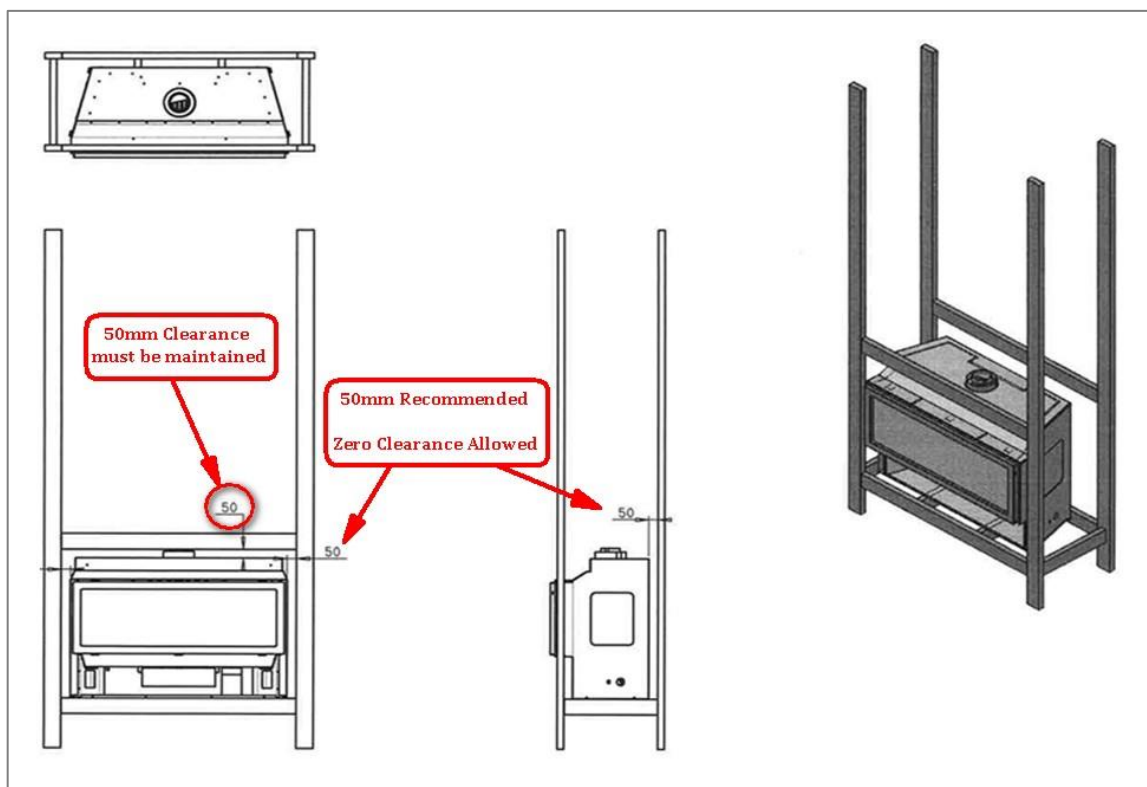
Logs can be placed in your preferred position and then pebbles around the logs
NOTE: LOGS & PEBBLES MUST NOT BE TOUCHING THE BURNER BAR

MOSMAN FRAME OUT SPECS



NOTE: The above frame out dimensions allow for 50mm clearance from the heater to combustible materials on the rear and sides. This is recommended, however it is allowable to have zero clearance on the rear bottom and sides.

The exception is that **a minimum of 50mm from the top surface of the heater to any combustibles must be maintained.**



SERVICING THE HEATER

- 1. Remove wire Guard by pulling the bottom towards you and lift up**
- 2. To remove Glass Door undo (6) hex head screws (allen screws) 3 above the door and 3 below the door then lift door off.**
- 3. Lift out media tray**
- 4. To access Gas Valve and Ignition Box remove (6) self-tapping screws then remove inspection plate located on the bottom right hand side of firebox**
- 5. To access Fan or Modulating Valve Control remove (12) self-tapping screws. To clear Injector slide Burner Bar Plate to the right hand side. Disconnect the Sparker and Sensor Wires from the Ignition Box (Blue Green)**

Mosman parts



WI-FI MODULE



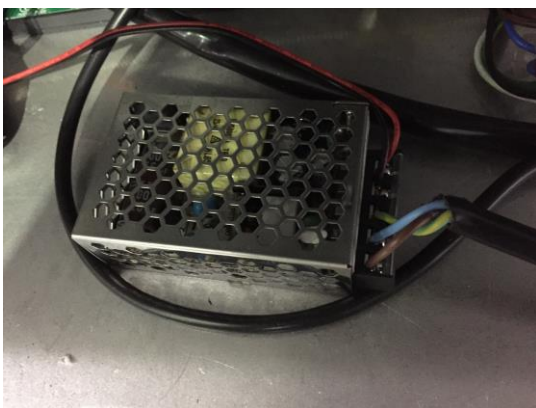
BLACK BOX



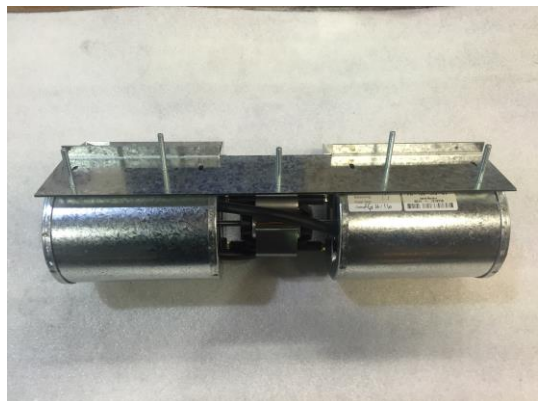
IGNITION BOX



GAS VALVE

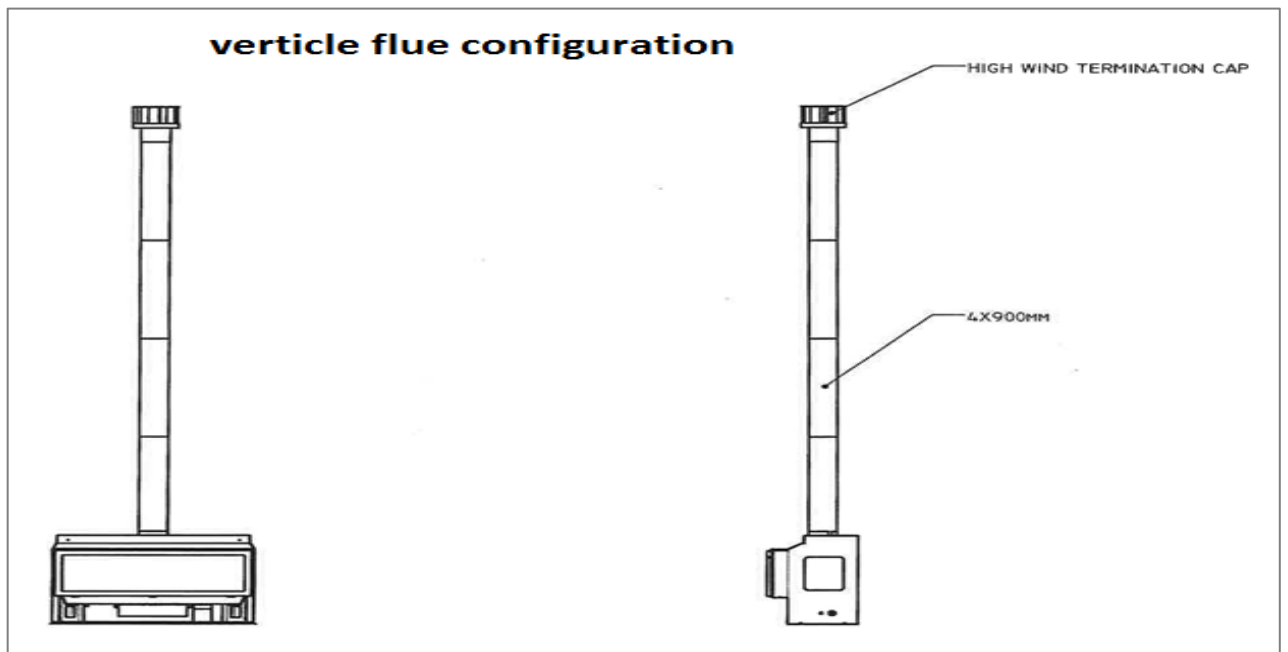
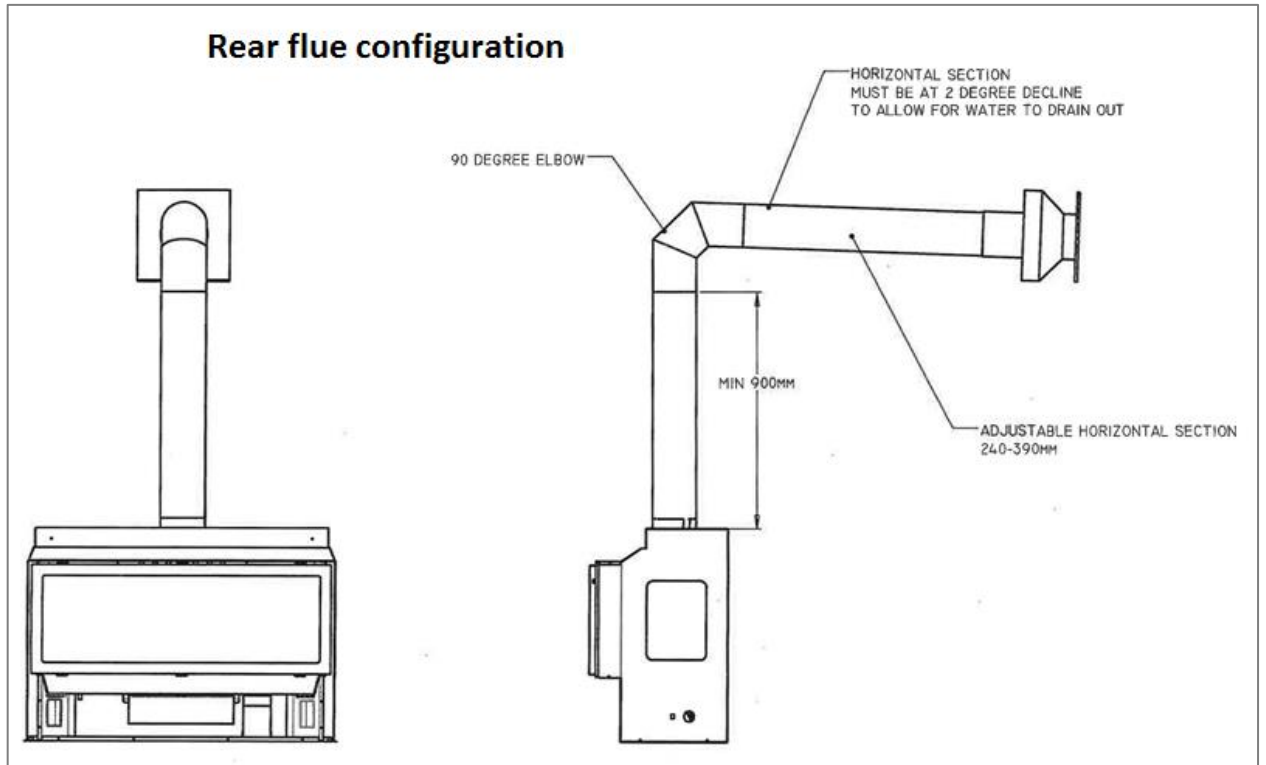


LED LIGHT BOX

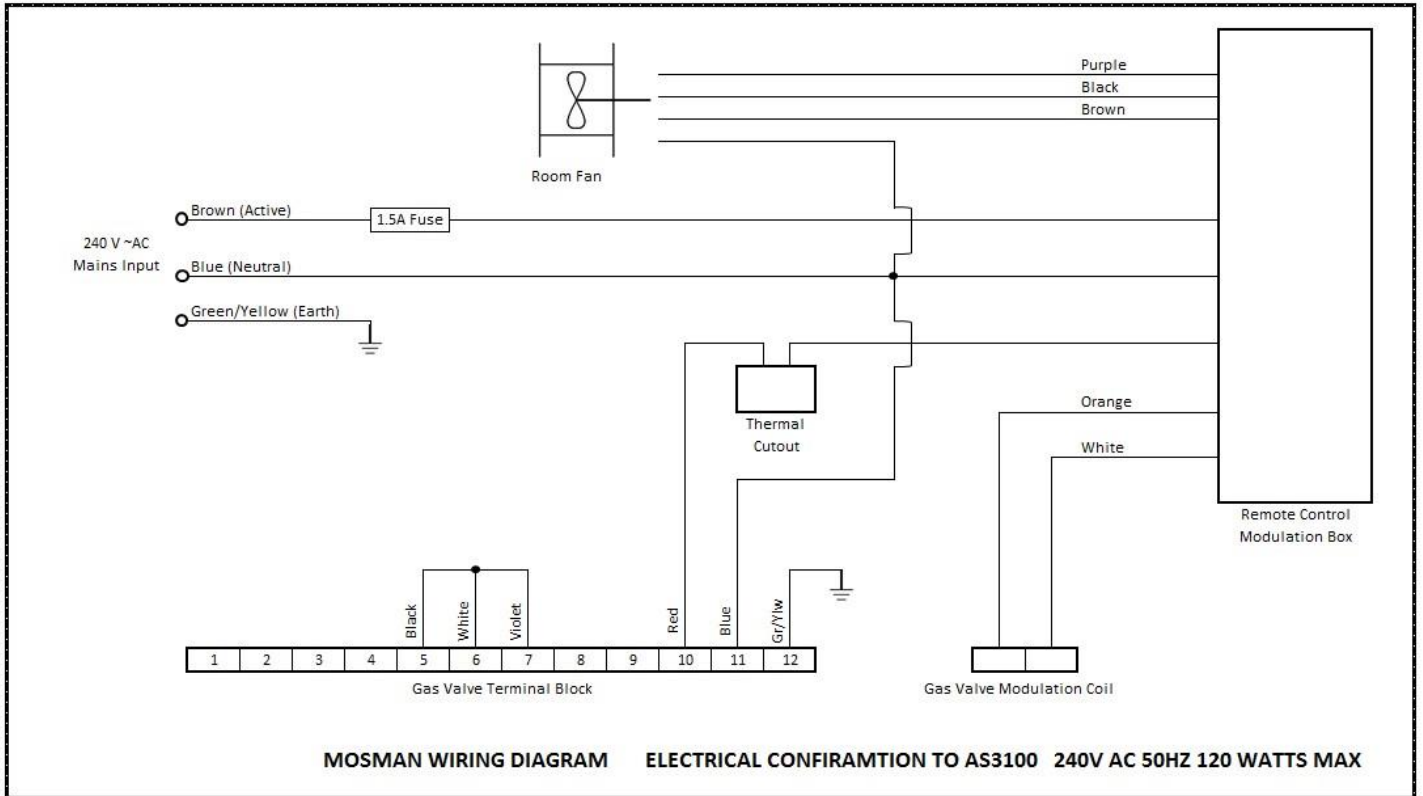


FAN

FLUEING DIAGRAM



WIRING DIAGRAM



How to Make a Warranty Claim

Coonara, Heatcharm, Arrow and Settler Heaters.

The full Warranty Statement for your heater is contained in the Installation and Operating Instructions booklet that was provided with the product.

1. Check the details of the warranty statement
2. Determine if you think the problem is covered by warranty
3. Ensure that you have proof of purchase
4. Contact the retailer that sold you the heater
5. Advise them of the specific problem
6. Provide the details that your retailer requests to complete a Warranty Claim Form. This must include the heater model, serial number and installation compliance certificate, if applicable in your State.
7. Your retailer will forward your claim to Shamic Sheetmetal (Aust) Pty Ltd, the manufacturer of the above heater brands
8. Shamic will contact your retailer to acknowledge that they have received the claim and if the claim has been accepted.
9. Your retailer will then advise you of when the problem will be fixed
10. If Warranty Claim is accepted Parts and/or service will be provided
11. Contact your retailer if the problem has not been fixed.

WARRANTY

DESIGNATION OF WARRANTOR. This warranty is extended by Shamic Sheetmetal (Aust) Pty. Ltd with respect to Coonara gas heaters.

PRODUCT. This Coonara Gas heater is comprised of the heater proper (including components and firebox), fan assembly, speed control switch, electrical components, gas valves, seals and moving parts. Except where specifically excluded from coverage hereunder, this warranty covers all components designed.

See **exclusions and qualifications** below for further information on product coverage.

WARRANTY:

- 1) Shamic Sheetmetal (Aust) Pty. Ltd. warrants the firebox and the heat exchanger to be free of defects in materials and workmanship of a period of five (5) years from the date of purchase.
- 2) Shamic Sheetmetal (Aust.) Pty. Ltd. warrants that all other components of the unit to be free of defects in material and workmanship for a period of two (2) years from date of purchase, excluding door glass.
- 3) If this Coonara heater is found to be defective in material or workmanship Shamic will repair or replace such defects in the Coonara heater at Shamic's option in accordance with Coonara's warranty policy during the period on this warranty. If the defect is found not to meet the Consumer Guarantee requirements and constitutes a major failure, the purchaser may be able to choose to repair or replace the defective heater or part or obtain a refund.
- 4) **Exclusions and qualifications.** This warranty is subject to the following exclusions and qualifications.
 - a) This warranty extends only to the original consumer purchaser, who has purchased the heater from an authorised Coonara dealer.
 - b) This warranty does not apply to, and Coonara assumes no responsibility for any damages that result due to, installation or operation of the heater not in accordance with both the installation and operation instructions furnished with the unit.
 - c) This warranty does not apply to any heater which has been modified or damaged in shipping or by improper handling, improper operation, abuse, misuse, accident or unworkmanlike repairs.
 - d) Shamic Sheetmetal (Aust.) Pty. Ltd. does not warrant the structural performance of the heater when fuel products other than the specified gas fuels are used. Flammable liquid fuels are explosive and should never be used in this product.
 - e) Shamic Sheetmetal (Aust.) Pty. Ltd. expressly excludes any liability hereunder for defects or damage caused by the installation or of any components not expressly authorised and approved by Shamic. Shamic further assumes no liability for defects or damage caused by any modification not expressly authorised and approved by Shamic. Unauthorised components or modifications could create a fire hazard by altering the safety design of the heater.
 - f) Building Codes. Since building code requirements vary, users should determine in advance whether there are any building code restrictions on the installation or use of the heater. Shamic makes no representation of warranty regarding building code compliance and shall not be responsible for compliance therewith.
 - g) Shamic will only accept claims under this warranty in strict accordance with the conditions set out below.
- 5) Shamic Sheetmetal (Aust.) Pty. Ltd. shall not be liable for any breakages of glass and log components, transit damage or, where it can be shown that the consumer guarantee obligations as the manufacturer have been met, for any claim by any person for incidental or consequential damages caused by defects in the Coonara heater. Whether such damage occurs or is discovered before or after replacement or repair, and whether or not

- such damage is caused by Coonara negligence. Normal wear and tear items such as routine surface maintenance, seals and door glass are also excluded from this warranty.
- 6) Shamic goods come with guarantees that cannot be excluded under Australian Consumer Law. The purchaser is entitled to a replacement or a refund for a major failure and compensation for any reasonably foreseeable loss or damage. The purchaser is also entitled to have the goods repaired or replaced if the goods fail to be of acceptable quality and the failure does not amount to a major failure.
 - 7) This warranty applies only to units purchased from an authorised dealer and the duration of this implied warranty, including merchantability, applicable to this Coonara heater is limited to the duration of the foregoing warranty.
 - 8) Before Shamic Sheetmetal (Aust.) Pty. Ltd. will recognise or accept a claim under this warranty, you must provide proof of purchase. On purchase of the heater, despatch your warranty card to Shamic Sheetmetal (Aust.) Pty. Ltd.
 - 9) Your authorised dealer must be notified of any defect in the heater, for investigation of the claim. Your authorised dealer will be able to explain the process of making a warranty claim and any costs associated with returning goods. In the event where a remedy is necessary and the claims under warranty are accepted, the purchaser may be required to return the goods to the authorised dealer for repair, replacement or refund.

CARE OF YOUR MOSMAN GAS HEATER

This appliance requires minimal maintenance, however, it is recommended that a qualified person make a full service and check annually.

To clean the appliance, simply wipe over with a damp cloth. Do not use solvents or abrasive cleaning agents.

Before making a service call check that:

- 1 - Electrical power is on
- 2 - Gas is turned on
- 3 - There are no obstruction /blockages of the flue terminal
- 4 – If your heater is not working after all of the following checks please get in contact with us

TRUBLE SHOOTING GUIDE

PROBLEM	POSSIBLE CAUSE	REMEDY
Appliance fails to ignite.	No gas supply or pressure insufficient. No electrical supply. Remote not pointed towards sensor Incorrect gas valve adjustment. Insufficient time allowed between attempts. Internal wiring disconnected.	Ensure gas supply connected, purged, and pressure appropriate. Ensure unit plugged in and switch is on, check supply fuse. Check supply. Active, neutral, & earth must be correctly orientated and connected. Point remote at bottom left hand corner of heater Adjust valve pressures. Wait at least 15 seconds for unit to purge combustion chamber after switching on. Check all plugs inside appliance are connected properly and correctly located, Ensure operation of combustion fan & air pressure switch.
Appliance ignites then goes out	Check Polarity/Heat sensor bar	Check supply. Adjust as required. Active, neutral, & earth must be correctly orientated and connected.
Unit will not operate on Low.	Incorrect gas valve adjustment. Incorrect or loose wiring.	Adjust valve. Check wiring.
Room fan not operating.	Insufficient time allowed. Loose wiring. Fan not located correctly. Fan blocked.	Fan has a delayed start and will not start until unit warms-up. Check wiring. Install fan in correct location. Remove and clean fan.
Unit cuts out after a period of time then cycles on and off.	See "Room fan not operating" Heat exchanger blockage. Excessive pressure or incorrect gas type.	See "Room fan not operating" Clean heat exchanger. Ensure correct gas type, injector size, and pressure setting.
Excessive carbon (soot) deposits on inside of firebox, logs, and/or glass.	Incorrect gas type or pressure setting. Primary air shutter incorrectly adjusted for gas type.	Ensure correct gas type, injector size, and pressure setting. Adjust primary air shutter.
Excessive flame height.	Incorrect gas type or pressure setting.	Ensure correct gas type, injector size, and pressure setting.
Excessive flame "lift off"	Flue or inlet blockage. Recirculation of flue gases.	Clear blockage. Flue incorrectly installed.
Unit fails to heat.	See "Room fan not operating" Incorrect gas type or pressure setting. Gas supply blockage.	See "Room fan not operating" Ensure correct gas type, injector size, and pressure setting. Check injector, burner supply pipe, & valve for foreign matter.
Burner will not spark	Gap between burner & sparker should be 3mm	Remove front burner cover, using pliers. Bend tags holding sparker. <u>Do not bend sparker.</u>

All service work to be carried out by a qualified & Coonara authorised technician



The Warmest Aussie Legend

For your nearest authorised service company, please contact:

SHAMIC SHEETMETAL (AUST.) PTY. LTD.

14 – 18 Research Drive, CROYDON SOUTH, VIC. 3136

POSTAL ADDRESS:

P.O. Box 8, KILSYTH, VIC. 3137

Phone: (03) 9737 5300

Fax: (03) 9761 6455

Email: info@shamic.com.au

DETACH AND RETURN



NAME _____

ADDRESS _____

CITY/STATE/POSTCODE _____

PURCHASED AT (Dealer name & address)

DATE PURCHASED _____ MODEL _____

SERIAL NO _____

WHERE DID YOU HEAR ABOUT THE MOSMAN

RADIO, TELEVISION, NEWSPAPER, DEALER, WEBSITE, OTHER – PLEASE PROVIDE
DETAILS:
